

# ***COMPAQ***

## **Maintenance and Service Guide**

Compaq Presario V3000 Notebook PC

Document Part Number: 418333-002

April 2007

This guide is a troubleshooting reference used for maintaining and servicing the computer. It provides comprehensive information on identifying computer features, components, and spare parts; troubleshooting computer problems; and performing computer disassembly procedures.

© Copyright 2006, 2007 Hewlett-Packard Development Company, L.P.

Microsoft, Windows, and Windows Vista are either trademarks or registered trademarks of Microsoft Corporation in the United States and/or other countries. Intel, Core, and Celeron are trademarks or registered trademarks of Intel Corporation or its subsidiaries in the United States and other countries. AMD, Sempron, Turion, and combinations thereof, are trademarks of Advanced Micro Devices, Inc. Bluetooth is a trademark owned by its proprietor and used by Hewlett-Packard Company under license. SD Logo is a trademark of its proprietor.

The information contained herein is subject to change without notice. The only warranties for HP products and services are set forth in the express warranty statements accompanying such products and services. Nothing herein should be construed as constituting an additional warranty. HP shall not be liable for technical or editorial errors or omissions contained herein.

Maintenance and Service Guide  
Compaq Presario V3000 Notebook PC  
Second Edition: April 2007  
First Edition: June 2006  
Document Part Number: 418333-002

## Safety warning notice

---



**WARNING:** To reduce the possibility of heat-related injuries or of overheating the computer, do not place the computer directly on your lap or obstruct the computer air vents. Use the computer only on a hard, flat surface. Do not allow another hard surface, such as an adjoining optional printer, or a soft surface, such as pillows or rugs or clothing, to block airflow. Also, do not allow the AC adapter to contact the skin or a soft surface, such as pillows or rugs or clothing, during operation. The computer and the AC adapter comply with the user-accessible surface temperature limits defined by the International Standard for Safety of Information Technology Equipment (IEC 60950).

---

---

# Contents

## 1 Product Description

1.1 Features . . . . .	1-2
1.2 Resetting the Computer. . . . .	1-5
1.3 Power Management. . . . .	1-6
1.4 External Components . . . . .	1-7
1.5 Design Overview. . . . .	1-19

## 2 Troubleshooting

2.1 Setup Utility in Windows XP . . . . .	2-1
Using the Setup Utility . . . . .	2-2
Setup Utility Menus . . . . .	2-6
2.2 Setup Utility in Windows Vista . . . . .	2-9
Using the Setup Utility . . . . .	2-10
Setup Utility Menus . . . . .	2-14
2.3 Troubleshooting Flowcharts . . . . .	2-17

### **3 Illustrated Parts Catalog**

3.1 Serial Number Location . . . . .	3-1
3.2 Computer Major Components . . . . .	3-2
3.3 Display Assembly Components . . . . .	3-18
3.4 Mass Storage Devices . . . . .	3-20
3.5 Plastics Kit . . . . .	3-22
3.6 Cable Kit . . . . .	3-23
3.7 Miscellaneous . . . . .	3-24
3.8 Sequential Part Number Listing . . . . .	3-27

### **4 Removal and Replacement Preliminaries**

4.1 Tools Required . . . . .	4-1
4.2 Service Considerations . . . . .	4-2
Plastic Parts . . . . .	4-2
Cables and Connectors . . . . .	4-2
4.3 Preventing Damage to Removable Drives . . . . .	4-3
4.4 Preventing Electrostatic Damage . . . . .	4-4
4.5 Packaging and Transporting Precautions . . . . .	4-5
4.6 Workstation Precautions . . . . .	4-6
4.7 Grounding Equipment and Methods . . . . .	4-7

---

## 5 Removal and Replacement Procedures

5.1	Serial Number . . . . .	5-1
5.2	Disassembly Sequence Chart . . . . .	5-2
5.3	Preparing the Computer for Disassembly . . . . .	5-4
5.4	Hard Drive . . . . .	5-6
5.5	RTC Battery . . . . .	5-10
5.6	Computer Feet . . . . .	5-11
5.7	Memory Module . . . . .	5-12
5.8	Mini Card Module . . . . .	5-15
5.9	Optical Drive . . . . .	5-19
5.10	Keyboard . . . . .	5-21
5.11	Switch Cover . . . . .	5-25
5.12	Display Assembly . . . . .	5-30
5.13	Top Cover . . . . .	5-42
5.14	TouchPad . . . . .	5-46
5.15	Wireless Switch Board . . . . .	5-50
5.16	Modem Module . . . . .	5-52
5.17	Audio/Infrared Board . . . . .	5-54
5.18	Bluetooth Module . . . . .	5-56
5.19	USB Board . . . . .	5-58
5.20	Speaker Assembly . . . . .	5-60
5.21	System Board . . . . .	5-62
5.22	ExpressCard Assembly . . . . .	5-67
5.23	Fan/Heat Sink Assembly . . . . .	5-70
5.24	Processor . . . . .	5-78

**6 Specifications**

**A Screw Listing**

**B Backup and Recovery in Windows XP**

**C Backup and Recovery in Windows Vista**

**D Display Component Recycling**

**E Connector Pin Assignments**

**F Power Cord Set Requirements**

**Index**

---

## Product Description

The Compaq Presario V3000 Notebook PC offers advanced modularity, Intel® Core™ Duo, Core Solo, and Celeron® processors or AMD Turion™ 64 Mobile Technology and Mobile AMD Sempron™ processors, and extensive multimedia support.



*Compaq Presario V3000 Notebook PC*



## 1.1 Features

- The following processors are available, varying by computer model:
  - ❑ Intel Core Duo T7200 (2.00-GHz)
  - ❑ Intel Core Duo T5600 (1.83-GHz)
  - ❑ Intel Core Duo T5500 (1.66-GHz)
  - ❑ Intel Core Duo T5200 (1.60-GHz)
  - ❑ Intel Core Duo T2600 (2.16-GHz)
  - ❑ Intel Core Duo T2500 (2.00-GHz)
  - ❑ Intel Core Duo T2400 (1.83-GHz)
  - ❑ Intel Core Duo T2250 (1.73-GHz)
  - ❑ Intel Core Duo T2300 (1.66-GHz)
  - ❑ Intel Core Duo T2350 (1.60-GHz)
  - ❑ Intel Core Duo T2060 (1.60-GHz)
  - ❑ Intel Core Duo T2050 (1.60-GHz)
  - ❑ Intel Core Solo T1350 (1.80-GHz)
  - ❑ AMD Turion Dual Core, TL-60 (2.0-GHz)
  - ❑ AMD Turion 64, MK-36 (2.00-GHz)
  - ❑ AMD Turion TL-56 (1.80-GHz)
  - ❑ AMD Turion ML-52 1.60-GHz
  - ❑ AMD Turion ML-50 1.60-GHz
  - ❑ Mobile AMD Sempron 3500+ (1.80-GHz)
  - ❑ Mobile AMD Sempron 3400+ (1.80-GHz)
  - ❑ Mobile AMD Sempron 3200+ (1.60-GHz)
- 14.1-inch WXGA (1280 × 768) TFT display with over 16.7 million colors, varying by computer model
- 160-, 120-, 100-, 80-, 60-, or 40-GB high-capacity hard drive, varying by computer model

- 256-MB DDR synchronous DRAM (SDRAM) at 667 MHz and 533 MHz, expandable to 2.0 GB
- Microsoft® Windows® XP Home Edition or Windows XP Professional, or Free DOS, varying by computer model
- Full-size Windows keyboard with embedded numeric keypad
- TouchPad pointing device with on/off button and dedicated two-way scroll zone
- Integrated 10/100 BASE-T Ethernet local area network (LAN) network interface card (NIC) with RJ-45 jack
- Integrated high-speed 56K modem with RJ-11 jack
- Integrated wireless support for Mini Card IEEE 802.11b and 802.11b/g WLAN device
- Support for ExpressCard
- External 65-watt or 90-watt AC adapter with 3-wire power cord
- 6-cell or 12-cell Li-Ion battery
- Stereo speakers with volume up and down buttons
- Integrated microphone (select models only)
- Support for the following optical drives:
  - DVD/CD-RW Combo Drive
  - DVD±RW/R and CD-RW Double-Layer Combo Drive
  - DVD±RW/R and CD-RW Double-Layer Combo Drive with LightScribe
- Connectors:
  - Audio-in (microphone)
  - Audio-out (headphone)
  - Consumer infrared lens
  - Docking (select models only)
  - ExpressCard

- ❑ External monitor
- ❑ IEEE 1394 digital (select models only)
- ❑ Memory Reader (select models only)
- ❑ Power
- ❑ RJ-11 (modem)
- ❑ RJ-45 (network)
- ❑ S-Video-out (select models only)
- ❑ Universal Serial Bus (USB) v. 2.0

## 1.2 Resetting the Computer

If the computer you are servicing has an unknown password, follow these steps to clear the password. These steps also clear CMOS:

1. Prepare the computer for disassembly (refer to [Section 5.3, “Preparing the Computer for Disassembly,”](#) for more information).
2. Remove the real-time clock (RTC) battery (refer to [Section 5.5, “RTC Battery,”](#) for more information).
3. Wait approximately 5 minutes.
4. Replace the RTC battery and reassemble the computer.
5. Connect AC power to the computer. Do not reinsert any batteries at this time.
6. Turn on the computer.

All passwords and all CMOS settings have been cleared.

## 1.3 Power Management

The computer comes with power management features that extend battery operating time and conserve power. The computer supports the following power management features:

- Standby
- Hibernation
- Setting customization by the user
- Hotkeys for setting the level of performance
- Battery calibration
- Lid switch standby/resume
- Power button
- Advanced Configuration and Power Management (ACPM) compliance

## 1.4 External Components

The external components on the front of the computer are shown below and described in Table 1-1.



*Front Components*

**Table 1-1**  
**Front Components**

Item	Component	Function
1	Wireless switch (select models only)	Turns the wireless feature on or off, but does not create a wireless connection.  ✎ To establish a wireless connection, a wireless network must already be set up.
2	Wireless light (select models only)	Blue: An integrated wireless device, such as a wireless local area network (LAN) device and/or a Bluetooth® device, is turned on.  Amber: An integrated wireless device is turned off.
3	Consumer infrared lens (select models only)	Links the computer to the HP Remote Control (select models only).
4	Audio-in (microphone) jack	Connects an optional computer headset microphone, stereo array microphone, or monaural microphone.
5	Audio-out (headphone) jack	Produce sound when connected to optional powered stereo speakers, headphones, ear buds, a headset, or television audio.

The external components on the right side of the computer are shown below and described in Table 1-2.



*Right-Side Components*

---

**Table 1-2**

**Right-Side Components**

Item	Component	Function
1	Optical drive	Reads an optical disc.
2	USB ports (2)	Connect optional USB devices.
3	RJ-11 (modem) jack	Connects a modem cable.
4	Power connector	Connects an AC adapter.
5	Security cable slot	Attaches an optional security cable to the computer.



The security cable is designed to act as a deterrent, but it may not prevent the computer from being mishandled or stolen.


The external components on the left side of the computer are shown below and described in Table 1-3.



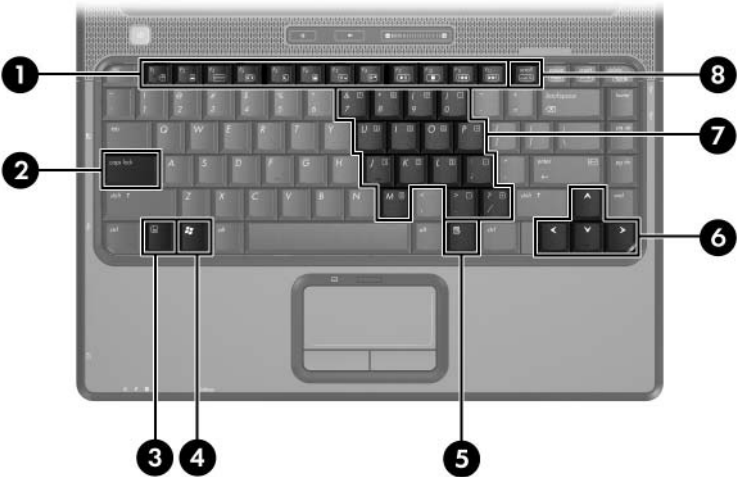
*Left-Side Components*



**Table 1-3**  
**Left-Side Components**

Item	Component	Function
1	S-Video-out jack	Connects an optional S-Video device such as a television, VCR, camcorder, overhead projector, or video capture card.
2	External monitor port	Connects an external VGA monitor or projector.
3	Expansion port 3	Connects the computer to an optional expansion product.   The computer has only one expansion port. The term <i>expansion port 3</i> describes the type of expansion port.
4	RJ-45 (network) jack	Connects a network cable.
5	USB port	Connects an optional USB device.
6	1394 port	Connects an optional IEEE 1394 or 1394a device, such as a camcorder.
7	Memory Reader	Supports the following optional digital card formats: Secure Digital (SD) Memory Card, MultiMediaCard (MMC), Secure Digital Input/Output (SD I/O), Memory Stick (MS), Memory Stick Pro (MSP), xD-Picture Card (XD), xDPicture Card (XD) Type M.
8	Memory Reader light	On: A digital card is being accessed.
9	ExpressCard slot	Supports optional ExpressCard/54 cards.

The computer keyboard components are shown below and described in Table 1-4.

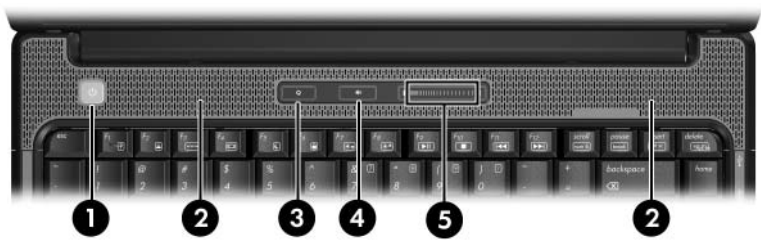


Keyboard Components

**Table 1-4**  
**Keyboard Components**

<b>Item</b>	<b>Component</b>	<b>Function</b>
1	Function keys (12)	Execute frequently used system functions when pressed in combination with the <b>fn</b> key.
2	<b>caps lock</b> key	Enables caps lock and turns on the caps lock light.
3	<b>fn</b> key	Executes frequently used system functions when pressed in combination with a function key or the <b>esc</b> key.
4	Windows logo key	Displays the Microsoft Windows Start menu.
5	Windows applications key	Displays a shortcut menu for items beneath the pointer.
6	Arrows keys	Move the cursor around the screen.
7	Embedded numeric keypad keys (15)	Can be used like the keys on an external numeric keypad.
8	<b>num lock</b> key	Enables numeric lock, turns on the embedded numeric keypad, and turns on the num lock light.

The computer top components are shown below and described in Table 1-5.




Top Components

**Table 1-5**  
**Top Components**

Item	Component	Function
1	Power button	When the computer is ■ Off, press to turn on the computer. ■ On, press to enter hibernation. ■ In standby, briefly press to exit standby. ■ in hibernation, briefly press to exit hibernation.
2	Speakers (2)	Produce sound.

**Table 1-5**  
**Top Components (*Continued*)**

Item	Component	Function
3	Media button	<p>If QuickPlay is not installed and the computer is</p> <ul style="list-style-type: none"> <li>■ On, the media button opens the music program or Media menu, allowing you to select a multimedia program.</li> <li>■ Off, the media button does not function.</li> <li>■ In standby, the media button resumes from standby into Windows.</li> </ul> <p>If QuickPlay is installed and the computer is</p> <ul style="list-style-type: none"> <li>■ On, the media button opens the music program or Media menu, allowing you to select a multimedia program.</li> <li>■ Off, the media button opens the music program or the Media menu, allowing you to select a multimedia program.</li> <li>■ In standby, the media button resumes from standby into Windows.</li> </ul> <p> The media button does not affect the hibernation file or the procedure for restoring from hibernation.</p>
4	Volume mute button	Mutes and restores speaker sound.
5	Volume scroll zone	Adjusts volume. Slide your finger to the left to decrease volume and to the right to increase volume. Alternatively, you can tap the left half of the scroll zone to decrease volume, or you can tap the right half of the scroll zone to increase volume.

The computer TouchPad components are shown below and described in Table 1-6.



*TouchPad Components*

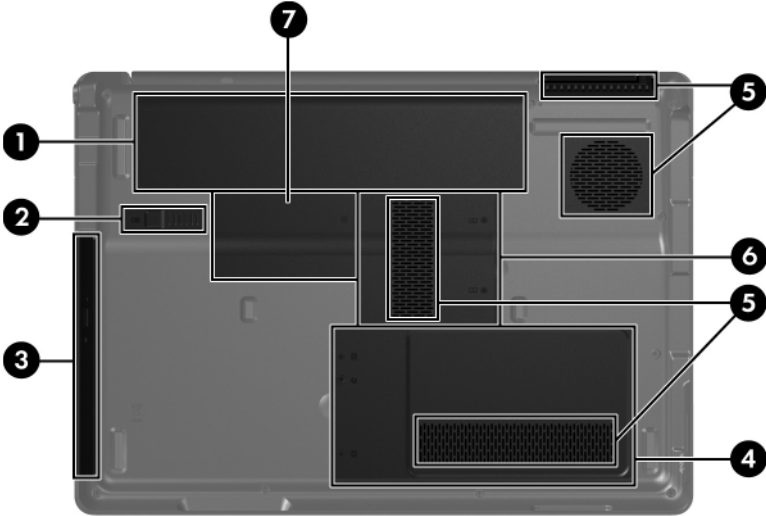
---

**Table 1-6**  
**TouchPad Components**

<b>Item</b>	<b>Component</b>	<b>Function</b>
1	TouchPad light	Blue: TouchPad is enabled. Amber: TouchPad is disabled.
2	TouchPad	Moves the pointer and selects or activates items on the screen. Can be set to perform other mouse functions, such as scrolling, selecting, and double-clicking.
3	TouchPad horizontal scroll zone	Scrolls left or right.
4	Left and right TouchPad buttons	Function like the left and right buttons on an external mouse.
5	TouchPad vertical scroll zone	Scrolls up or down.
6	TouchPad on/off button	Enables/disables the TouchPad.

---

The external components on the bottom of the computer are shown below and described in Table 1-7.





Bottom Components

**Table 1-7**  
**Bottom Components**

Item	Component	Function
1	Battery bay	Holds the battery.
2	Battery release latch	Releases the battery from the battery bay.
3	Optical drive	Reads an optical disc.
4	Hard drive bay	Holds the hard drive.



**Table 1-7**  
**Bottom Components (Continued)**

Item	Component	Function
5	vents (4)	<p>Enable airflow to cool internal components.</p> <p> The computer fan starts up automatically to cool internal components and prevent overheating. It is normal for the internal fan to cycle on and off during routine operation.</p>
6	Memory module compartment	<p>Contains the memory module slots.</p>
7	Mini Card compartment	<p>Holds a wireless LAN device (select models only).</p> <p> To prevent an unresponsive system and the display of a warning message, replace with only a Mini Card device authorized for use in the computer by the governmental agency that regulates wireless devices in your country. If you replace the device and then receive a warning message, remove the device to restore computer functionality. Then contact Customer Care through the Help and Support Center.</p>

## 1.5 Design Overview

This section presents a design overview of key parts and features of the computer. Refer to [Chapter 3, “Illustrated Parts Catalog,”](#) to identify replacement parts, and [Chapter 5, “Removal and Replacement Procedures,”](#) for disassembly steps.

The system board provides the following device connections:

- AMD Turion and Mobile AMD Sempron processors or Intel Core Duo, Core Solo, Celeron processors
- Audio
- Display
- ExpressCard
- Fan
- Hard drive
- Keyboard and TouchPad
- Memory module
- Mini Card modules



**CAUTION:** To properly ventilate the computer, allow at least a 7.6-cm (3-inch) clearance on the left and right sides of the computer.

---

The computer uses an electric fan for ventilation. The fan is controlled by a temperature sensor and is designed to turn on automatically when high temperature conditions exist. These conditions are affected by high external temperatures, system power consumption, power management/battery conservation configurations, battery fast charging, and software. Exhaust air is displaced through the ventilation grill located on the left side of the computer.

---

# Troubleshooting



**WARNING:** Only authorized technicians trained by HP should repair this equipment. All troubleshooting and repair procedures are detailed to allow only subassembly-/module-level repair. Because of the complexity of the individual boards and subassemblies, do not attempt to make repairs at the component level or modifications to any printed wiring board. Improper repairs can create a safety hazard. Any indication of component replacement or printed wiring board modification may void any warranty or exchange allowances.

---

## 2.1 Setup Utility in Windows XP

The Setup Utility is a ROM-based information and customization utility that can be used even when your Windows operating system is not working or will not load.

The utility reports information about the computer and provides settings for startup, security, and other preferences.

1. Turn on or restart the computer in Windows.
2. Before Windows opens and while the “Press <F10> to enter setup” prompt is displayed in the lower-left corner of the screen, press **f10**.

## Using the Setup Utility

### Changing the Language of the Setup Utility

The following procedure explains how to change the language of the Setup Utility. If the computer is not in the Setup Utility, begin at step 1. If the computer is in the Setup Utility, begin at step 2.

1. To open the Setup Utility, turn on or restart the computer in Windows, and then press **f10** while the prompt, “Press <F10> to enter setup,” is displayed in the lower-left corner of the screen.
2. Use the arrow keys to select **System Configuration > Language**, and then press **enter**.
3. Press **f5** or **f6** (or use the arrow keys) to select a language, and then press **enter** to select a language.
4. When a confirmation prompt with your preference selected is displayed, press **enter** to save your preference.
5. To set your preferences and exit the Setup Utility, press **f10** and then follow the instructions on the screen.

Your preferences go into effect when the computer restarts in Windows.

## Navigating and Selecting in the Setup Utility

Because the Setup Utility is not Windows-based, it does not support the TouchPad. Navigation and selection are by keystroke.

- To choose a menu or a menu item, use the arrow keys.
- To choose an item in a drop-down list or to toggle a field, for example an Enable/Disable field, use either the arrow keys or **f5** or **f6**.
- To select an item, press **enter**.
- To close a text box or return to the menu display, press **f1**.
- To display additional navigation and selection information while the Setup Utility is open, press **f1**.

## Displaying System Information

The following procedure explains how to display system information in the Setup Utility. If the Setup Utility is not open, begin at step 1. If the Setup Utility is open, begin at step 2.

1. To open the Setup Utility, turn on or restart the computer in Windows, and then press **f10** while the prompt, “Press <F10> to enter setup,” is displayed in the lower-left corner of the screen.
2. Access the system information by using the **Main** menu.
3. To close the Setup Utility without changing any settings, use the arrow keys to select **Exit > Exit Discarding Changes**, and then press **enter**. (The computer restarts in Windows.)

## Restoring Default Settings in the Setup Utility

The following procedure explains how to restore the Setup Utility default settings. If the computer is not in the Setup Utility, begin at step 1. If the computer is in the Setup Utility, begin at step 2.

1. To open the Setup Utility, turn on or restart the computer in Windows, and then press **f10** while the prompt, “Press <F10> to enter setup,” is displayed in the lower-left corner of the screen.
2. Select **Exit > Load Setup Defaults**, and then press **f10**.
3. When the Setup Confirmation is displayed, press **enter** to save your preferences.
4. To set your preferences and exit the Setup Utility, press **f10**, and then follow the instructions on the screen.

The Setup Utility default settings are set when you exit the Setup Utility and go into effect when the computer restarts.



Your password, security, and language settings are not changed when you restore the factory default settings.

---

## Using Advanced Setup Utility Features

This guide describes the Setup Utility features recommended for all users. For more information about the Setup Utility features recommended for advanced users only, refer to the Help and Support Center, which is accessible only when the computer is in Windows.

The Setup Utility features available for advanced users include a hard drive self-test, a Network Service Boot, and settings for boot order preferences.

The “<F12> to boot from LAN” message that is displayed in the lower-left corner of the screen each time the computer is started or restarted in Windows or restored from hibernation is the prompt for a Network Service Boot.

The “Press <ESC> to change boot order” message that is displayed in the lower-left corner of the screen each time the computer is started or restarted in Windows or restored from hibernation is the prompt to change the boot order.

## Closing the Setup Utility

You can close the Setup Utility with or without saving changes.

- To close the Setup Utility and save your changes from the current session, use either of the following procedures:
  - Press **f10**, and then follow the instructions on the screen.

– or –

- If the Setup Utility menus are not visible, press **esc** to return to the menu display. Then use the arrow keys to select **Exit > Exit Saving Changes**, and then press **enter**.

When you use the **f10** procedure, you are offered an option to return to the Setup Utility. When you use the **Exit Saving Changes** procedure, the Setup Utility closes when you press **enter**.

- To close the Setup Utility without saving your changes from the current session:

If the Setup Utility menus are not visible, press **esc** to return to the menu display. Then use the arrow keys to select **Exit > Exit Discarding Changes**, and then press **enter**.

After the Setup Utility closes, the computer restarts in Windows.

## Setup Utility Menus

The menu tables in this section provide an overview of Setup Utility options.



Some of the Setup Utility menu listed in this chapter may not be supported by your computer.

---



## Main Menu

**Table 2-1**  
**Main Menu**

Select	To Do This
System Information	<ul style="list-style-type: none"> <li>■ View and change the system time and date.</li> <li>■ View identification information about the computer.</li> <li>■ View specification information about the processor, memory size, system BIOS, and keyboard controller version (select models only).</li> </ul>

## Security Menu

**Table 2-2**  
**Security Menu**

Select	To Do This
Administrator password	Enter, change, or delete an administrator password.
Power-on password	Enter, change, or delete a power-on password.

## System Configuration Menu

**Table 2-3**  
**System Configuration Menu**

Select	To Do This
Language Support	Change the Setup Utility language.
Embedded WLAN Device Radio	Enable/disable an embedded wireless LAN device.
Embedded Bluetooth Device (select models only)	Enable/disable an embedded Bluetooth device (select models only).
Enhanced SATA support (select models only)	Enable/disable enhanced SATA mode.
Boot Options	<p>Set the following boot options:</p> <ul style="list-style-type: none"> <li>■ <b>f10</b> and <b>f12</b> Delay (sec.)—Set the delay for the <b>f10</b> and <b>f12</b> functions of the Setup Utility in intervals of 5 seconds each (0, 5, 10, 15, 20).</li> <li>■ CD-ROM boot—Enable/disable boot from CD-ROM.</li> <li>■ Floppy boot—Enable/disable boot from Floppy.</li> <li>■ Internal Network Adapter boot—Enable/disable boot from Internal Network Adapter.</li> <li>■ Boot Order—Set the boot order for: <ul style="list-style-type: none"> <li><input type="checkbox"/> USB Floppy</li> <li><input type="checkbox"/> ATAPI CD/DVD ROM Drive</li> <li><input type="checkbox"/> Hard drive</li> <li><input type="checkbox"/> USB Diskette on Key</li> <li><input type="checkbox"/> USB Hard drive</li> <li><input type="checkbox"/> Network adapter</li> </ul> </li> </ul>

## Diagnostics Menu

**Table 2-4**  
**Diagnostics Menu**

Select	To Do This
Hard Disk Self Test	Run a comprehensive self-test on the hard drive.

## 2.2 Setup Utility in Windows Vista

The Setup Utility is a ROM-based information and customization utility that can be used even when your Windows® operating system is not working or will not load.



The fingerprint reader (select models only) does not work when accessing the Setup Utility.

The utility reports information about the computer and provides settings for startup, security, and other preferences.

To start the Setup Utility:

1. Turn on or restart the computer.
2. Before Windows opens and while “Press <F10> to enter setup” is displayed in the lower-left corner of the screen, press **f10**.

## Using the Setup Utility

### Changing the Language of the Setup Utility

The following procedure explains how to change the language of the Setup Utility. If the Setup Utility is not already running, begin at step 1. If the Setup Utility is already running, begin at step 2.

1. To start the Setup Utility, turn on or restart the computer, and then press **f10** while “Press <F10> to enter setup” is displayed in the lower-left corner of the screen.
2. Use the arrow keys to select **System Configuration > Language**, and then press **enter**.
3. Press **f5** or **f6** (or use the arrow keys) to select a language, and then press **enter** to select a language.
4. When a confirmation prompt with your preference selected is displayed, press **enter** to save your preference.
5. To set your preferences and exit the Setup Utility, press **f10** and then follow the instructions on the screen.

Your preferences go into effect when the computer restarts in Windows.

### Navigating and Selecting in the Setup Utility

Because the Setup Utility is not Windows-based, it does not support the TouchPad. Navigation and selection are by keystroke.

- To choose a menu or a menu item, use the arrow keys.
- To choose an item in a drop-down list or to toggle a field, for example an Enable/Disable field, use either the arrow keys or **f5** or **f6**.
- To select an item, press **enter**.
- To close a text box or return to the menu display, press **esc**.
- To display additional navigation and selection information while the Setup Utility is open, press **f1**.

## Displaying System Information

The following procedure explains how to display system information in the Setup Utility. If the Setup Utility is not open, begin at step 1. If the Setup Utility is open, begin at step 2.

1. To start the Setup Utility, turn on or restart the computer, and then press **f10** while “Press <F10> to enter setup” is displayed in the lower-left corner of the screen.
2. Access the system information by using the **Main** menu.
3. To exit the Setup Utility without changing any settings, use the arrow keys to select **Exit > Exit Discarding Changes**, and then press **enter**. (The computer restarts in Windows.)

## Restoring Default Settings in the Setup Utility

The following procedure explains how to restore the Setup Utility default settings. If the Setup Utility is not already running, begin at step 1. If the Setup Utility is already running, begin at step 2.

1. To start the Setup Utility, turn on or restart the computer, and then press **f10** while “Press <F10> to enter setup” is displayed in the lower-left corner of the screen.
2. Select **Exit > Load Setup Defaults**, and then press **enter**.
3. When the Setup Confirmation is displayed, press **enter** to save your preferences.
4. To set your preferences and exit the Setup Utility, press **f10**, and then follow the instructions on the screen.

The Setup Utility default settings are set when you exit the Setup Utility and go into effect when the computer restarts.



Your password, security, and language settings are not changed when you restore the factory default settings.

---

## Using Advanced Setup Utility Features

This guide describes the Setup Utility features recommended for all users. For more information about the Setup Utility features recommended for advanced users only, refer to **Help and Support**, which is accessible only when the computer is in Windows.

The Setup Utility features available for advanced users include a hard drive self-test, a Network Service Boot, and settings for boot order preferences.

The “<F12> to boot from LAN” message that is displayed in the lower-left corner of the screen each time the computer is started or restarted in Windows is the prompt for a Network Service Boot.

The “Press <ESC> to change boot order” message that is displayed in the lower-left corner of the screen each time the computer is started or restarted in Windows is the prompt to change the boot order.

## Closing the Setup Utility

You can close the Setup Utility with or without saving changes.

- To close the Setup Utility and save your changes from the current session, use either of the following procedures:

- Press **f10**, and then follow the instructions on the screen.

– or –

- If the Setup Utility menus are not visible, press **esc** to return to the menu display. Then use the arrow keys to select **Exit > Exit Saving Changes**, and then press **enter**.

When you use the **f10** procedure, you are offered an option to return to the Setup Utility. When you use the Exit Saving Changes procedure, the Setup Utility closes when you press **enter**.

- To close the Setup Utility without saving your changes from the current session:

If the Setup Utility menus are not visible, press **esc** to return to the menu display. Then use the arrow keys to select **Exit > Exit Discarding Changes**, and then press **enter**.

After the Setup Utility closes, the computer restarts in Windows.

## Setup Utility Menus

The menu tables in this section provide an overview of Setup Utility options.



Some of the Setup Utility menu listed in this chapter may not be supported by your computer.

---

## Main Menu

---

**Table 2-5**

**Main Menu**

Select	To Do This
System Information	<ul style="list-style-type: none"><li>■ View and change the system time and date.</li><li>■ View identification information about the computer.</li><li>■ View specification information about the processor, memory size, system BIOS, and keyboard controller version (select models only).</li></ul>

---

## Security Menu

---

**Table 2-6**

**Security Menu**

Select	To Do This
Administrator password	Enter, change, or delete an administrator password.
Power-on password	Enter, change, or delete a power-on password.

---



## System Configuration Menu


**Table 2-7**  
**System Configuration Menu**

Select	To Do This
Language Support	Change the Setup Utility language.
Enhanced SATA support (select models only)	Enable/disable enhanced SATA mode.
Boot Options	<p>Set the following boot options:</p> <ul style="list-style-type: none"> <li>■ <b>f10</b> and <b>f12</b> Delay (sec.)—Set the delay for the <b>f10</b> and <b>f12</b> functions of the Setup Utility in intervals of 5 seconds each (0, 5, 10, 15, 20).</li> <li>■ CD-ROM boot—Enable/disable boot from CD-ROM.</li> <li>■ Floppy boot—Enable/disable boot from Floppy.</li> <li>■ Internal Network Adapter boot—Enable/disable boot from Internal Network Adapter.</li> <li>■ Boot Order—Set the boot order for: <ul style="list-style-type: none"> <li><input type="checkbox"/> USB Floppy</li> <li><input type="checkbox"/> ATAPI CD/DVD ROM Drive</li> <li><input type="checkbox"/> Hard drive</li> <li><input type="checkbox"/> USB Diskette on Key</li> <li><input type="checkbox"/> USB Hard drive</li> <li><input type="checkbox"/> Network adapter</li> </ul> </li> </ul>
Button Sound (select models only)	Enable/disable the Quick Launch Button tapping sound.
Video memory up to (select models only)	Select the amount of video memory.

## Diagnostics Menu

---

**Table 2-8**  
**Diagnostics Menu**

Select	To Do This
Hard Disk Self Test	Run a comprehensive self-test on the hard drive.   On models with two hard drives, this menu option is called the <b>Primary Hard Disk Self Test</b> .
Secondary Hard Disk Self Test (select models only)	Run a comprehensive self-test on a secondary hard drive.

---

## 2.3 Troubleshooting Flowcharts

**Table 2-9**  
**Troubleshooting Flowcharts Overview**

<b>Flowchart</b>	<b>Description</b>
2.1	"Flowchart 2.1—Initial Troubleshooting"
2.2	"Flowchart 2.2—No Power, Part 1"
2.3	"Flowchart 2.3—No Power, Part 2"
2.4	"Flowchart 2.4—No Power, Part 3"
2.5	"Flowchart 2.5—No Power, Part 4"
2.6	"Flowchart 2.6—No Video, Part 1"
2.7	"Flowchart 2.7—No Video, Part 2"
2.8	"Flowchart 2.8—Nonfunctioning Docking Device (if applicable)"
2.9	"Flowchart 2.9—No Operating System (OS) Loading"
2.10	"Flowchart 2.10—No OS Loading, Hard Drive, Part 1"
2.11	"Flowchart 2.11—No OS Loading, Hard Drive, Part 2"
2.12	"Flowchart 2.12—No OS Loading, Hard Drive, Part 3"
2.13	"Flowchart 2.13—No OS Loading, Diskette Drive"

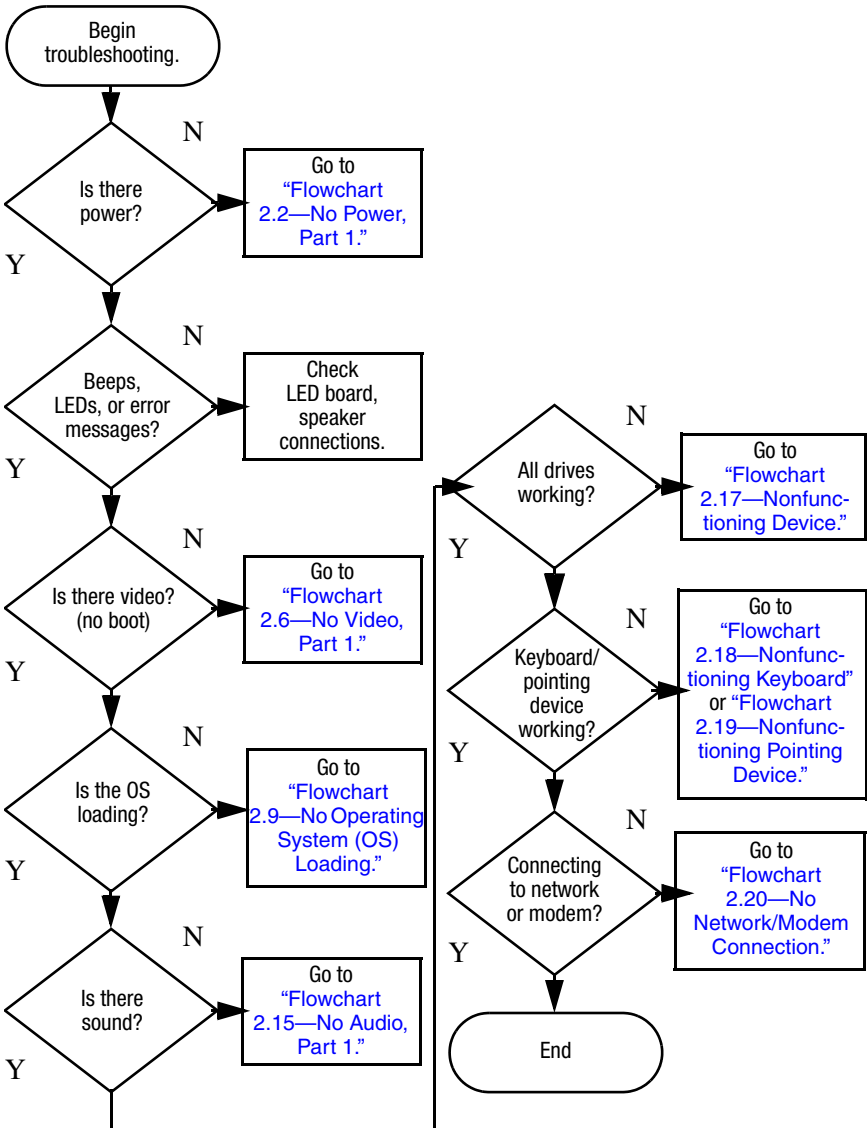
---

**Table 2-9**  
**Troubleshooting Flowcharts Overview (*Continued*)**

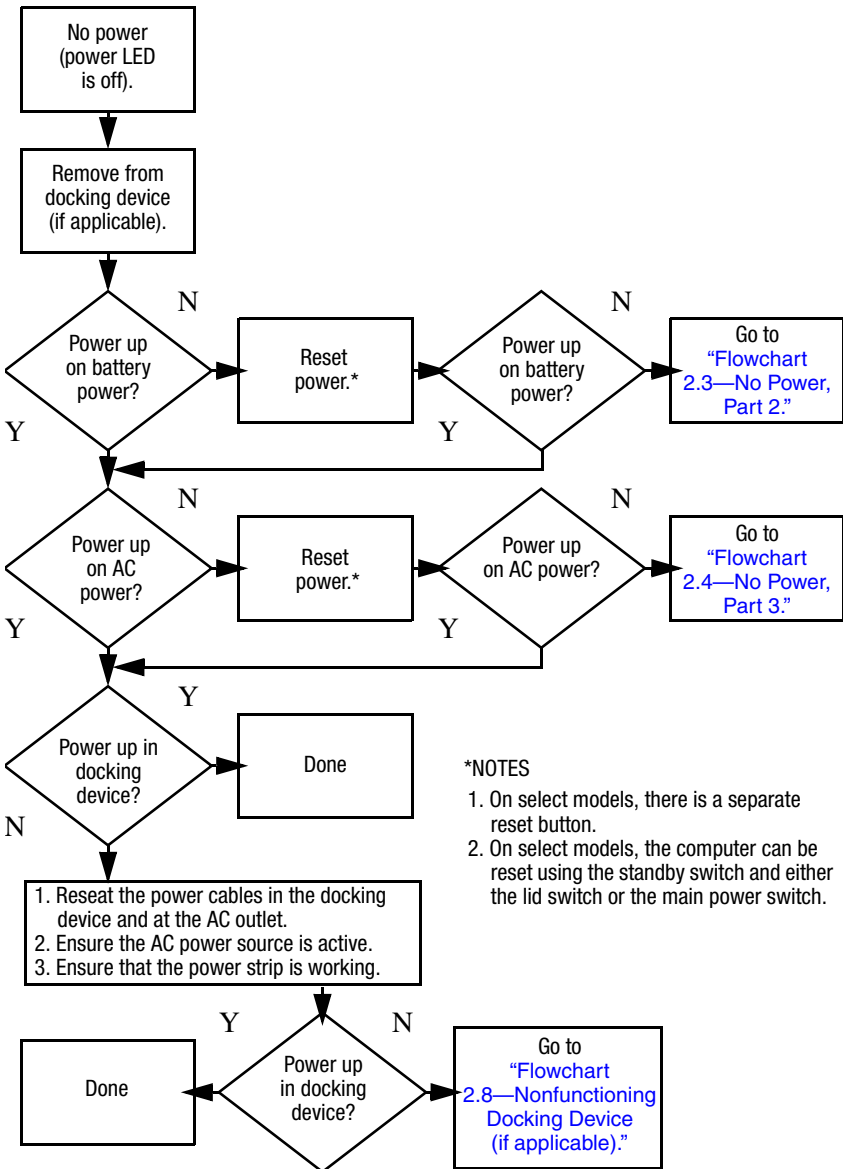
<b>Flowchart</b>	<b>Description</b>
2.14	"Flowchart 2.14—No OS Loading, Optical Drive"
2.15	"Flowchart 2.15—No Audio, Part 1"
2.16	"Flowchart 2.16—No Audio, Part 2"
2.17	"Flowchart 2.17—Nonfunctioning Device"
2.18	"Flowchart 2.18—Nonfunctioning Keyboard"
2.19	"Flowchart 2.19—Nonfunctioning Pointing Device"
2.20	"Flowchart 2.20—No Network/Modem Connection"

---

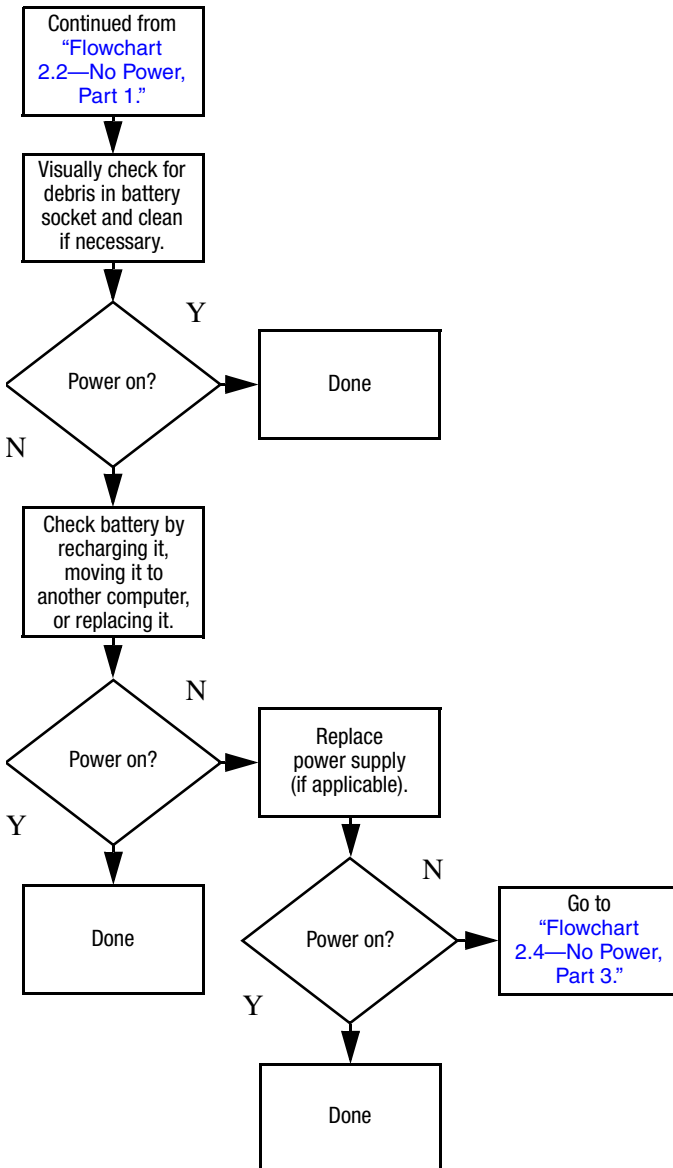
## Flowchart 2.1 – Initial Troubleshooting



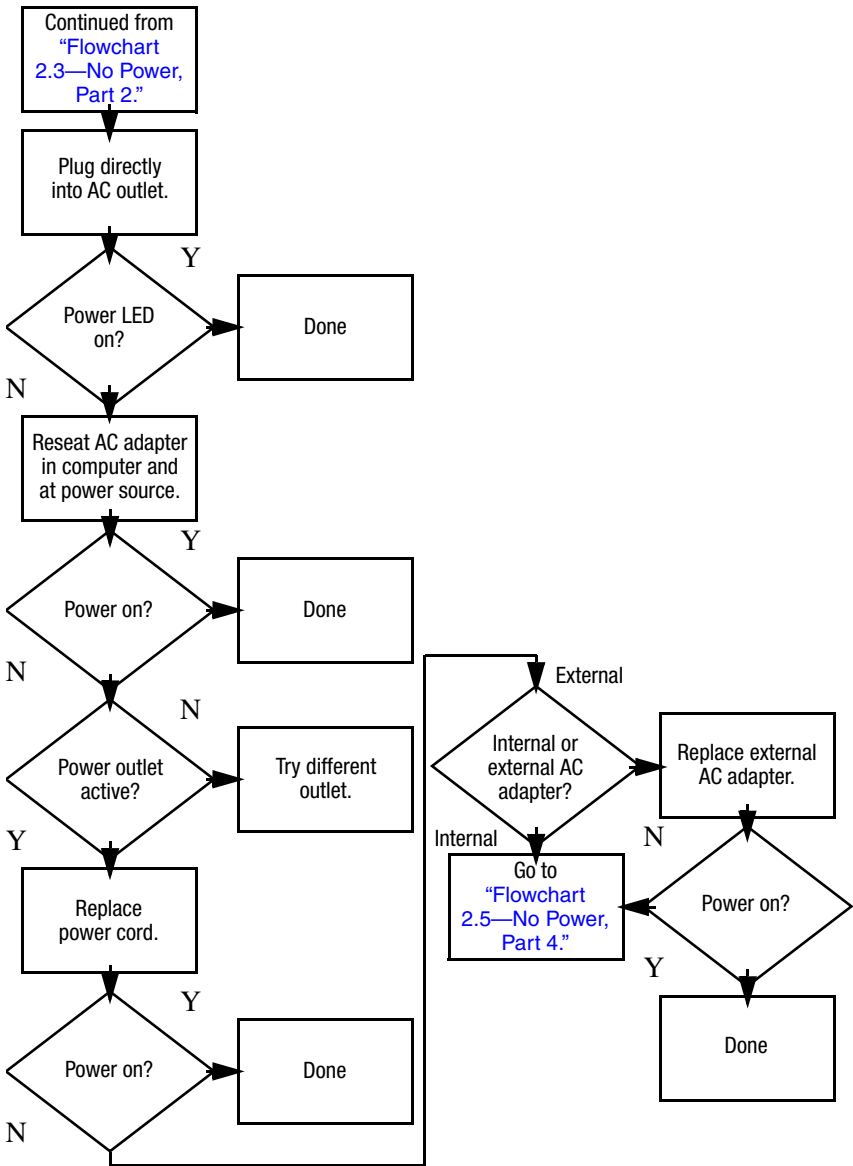
## Flowchart 2.2—No Power, Part 1



## Flowchart 2.3—No Power, Part 2

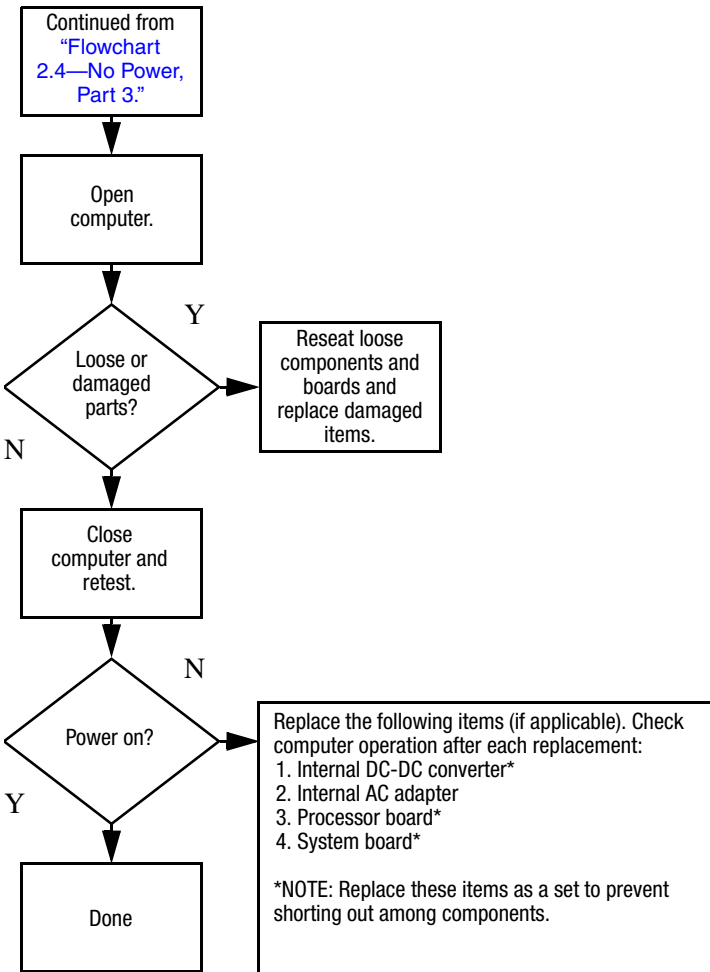


### Flowchart 2.4—No Power, Part 3

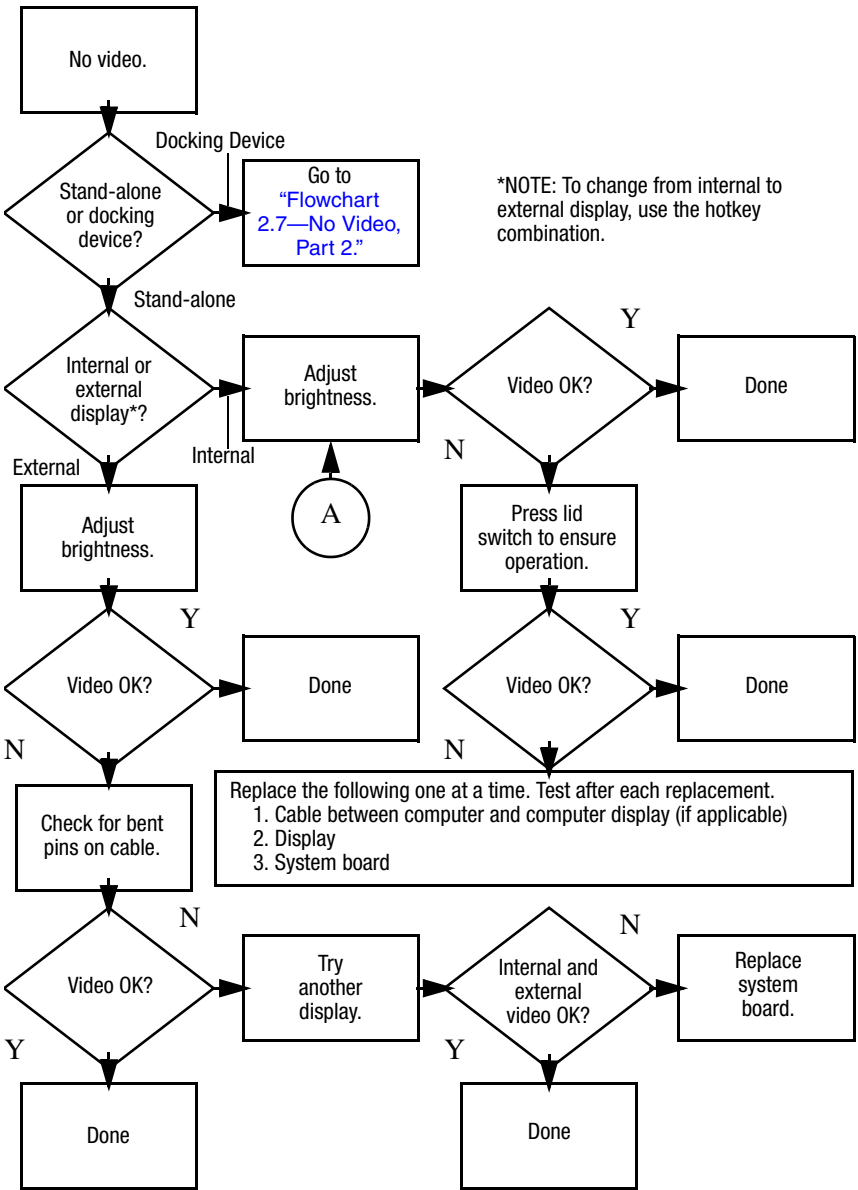




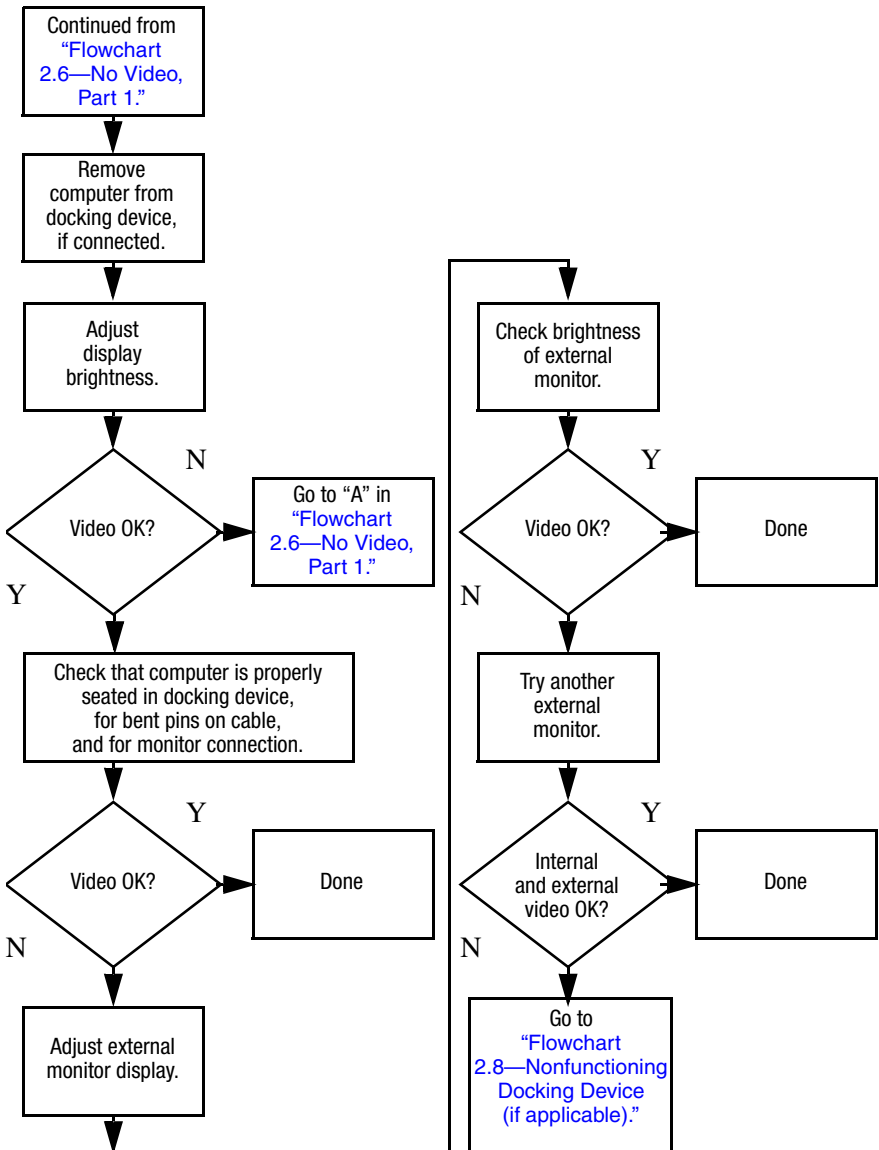
## Flowchart 2.5—No Power, Part 4



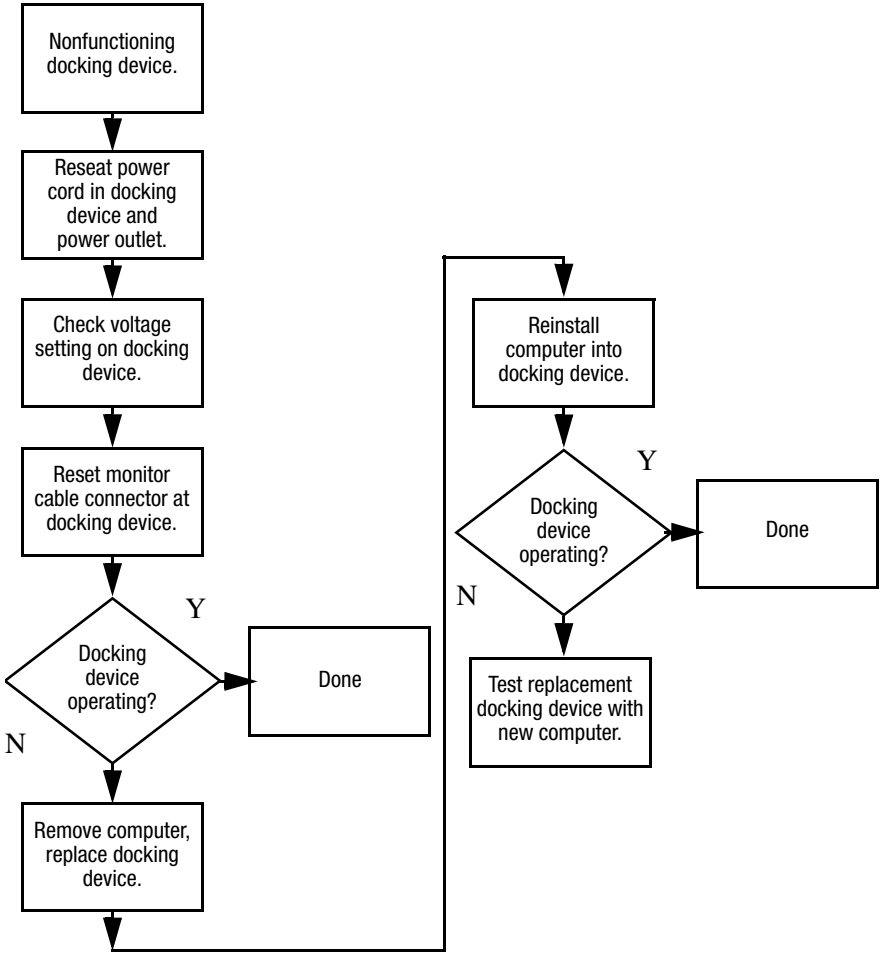
## Flowchart 2.6—No Video, Part 1



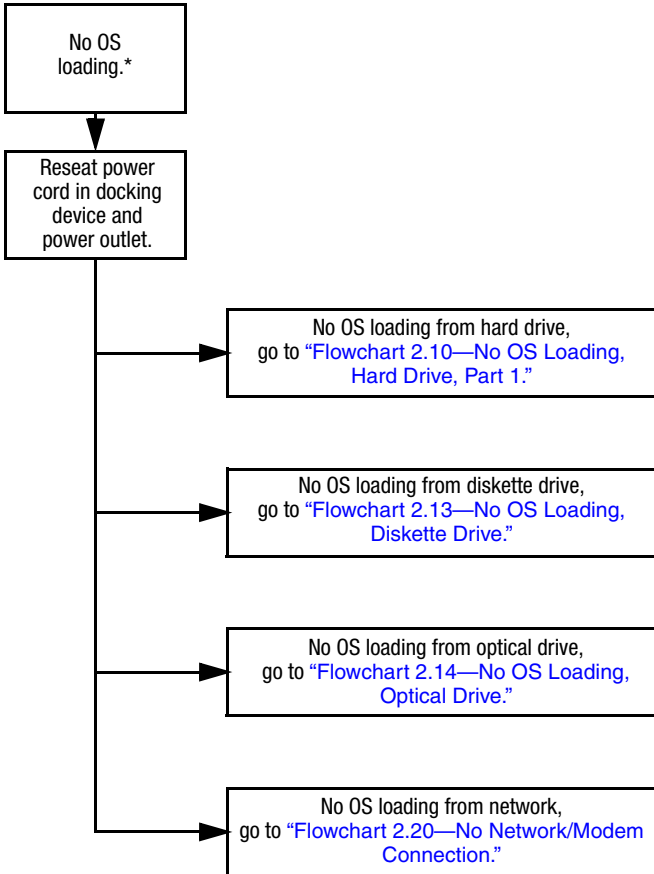
## Flowchart 2.7—No Video, Part 2



## Flowchart 2.8—Nonfunctioning Docking Device (if applicable)

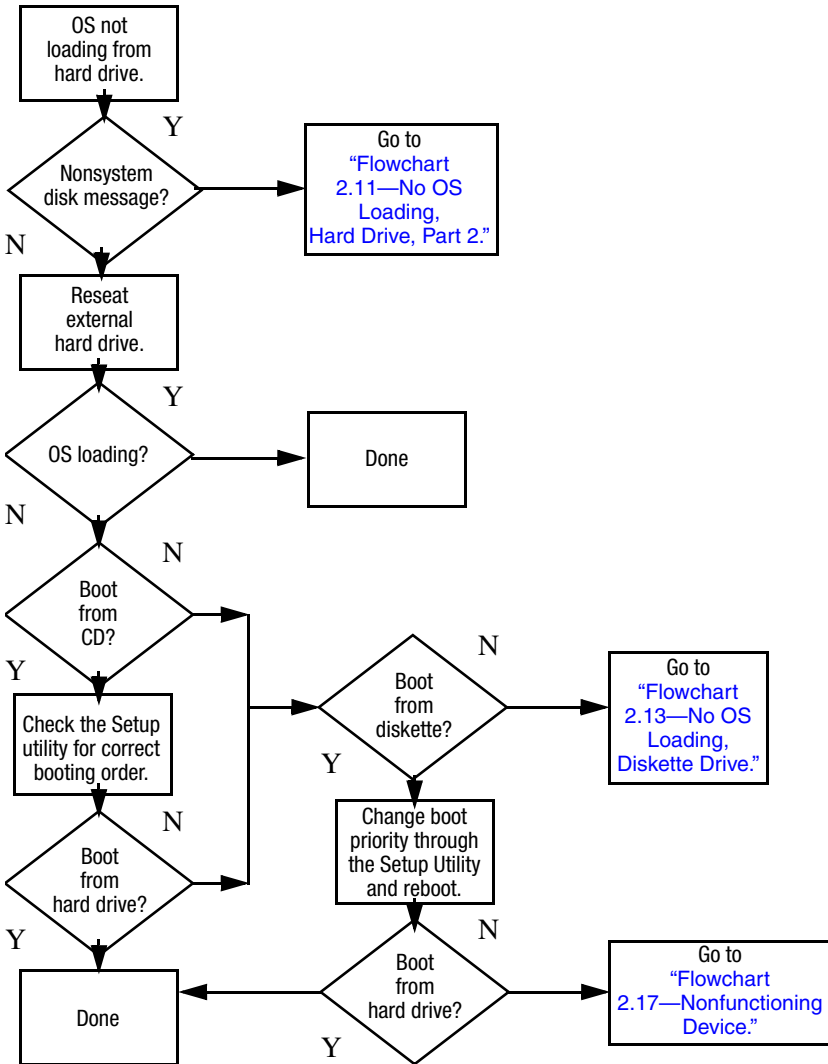


## Flowchart 2.9—No Operating System (OS) Loading

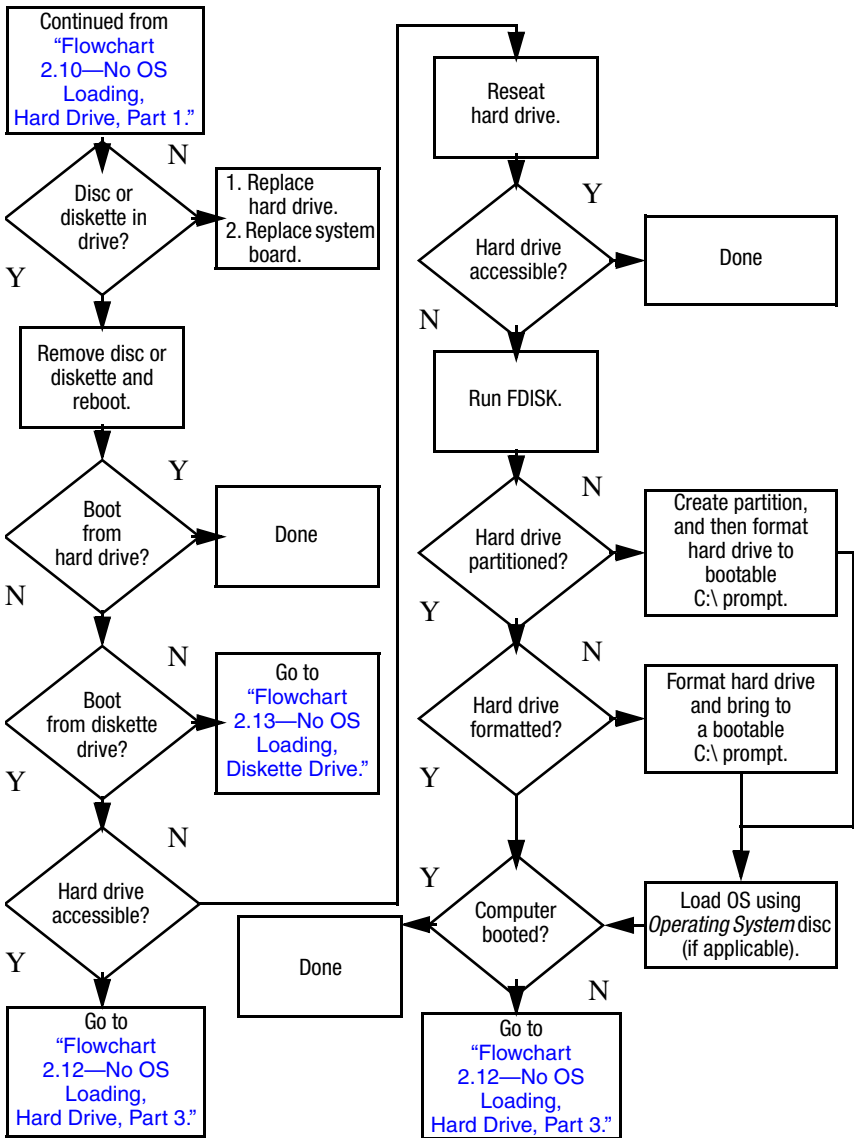


\*NOTE: Before beginning troubleshooting, always check cable connections, cable ends, and drives for bent or damaged pins.

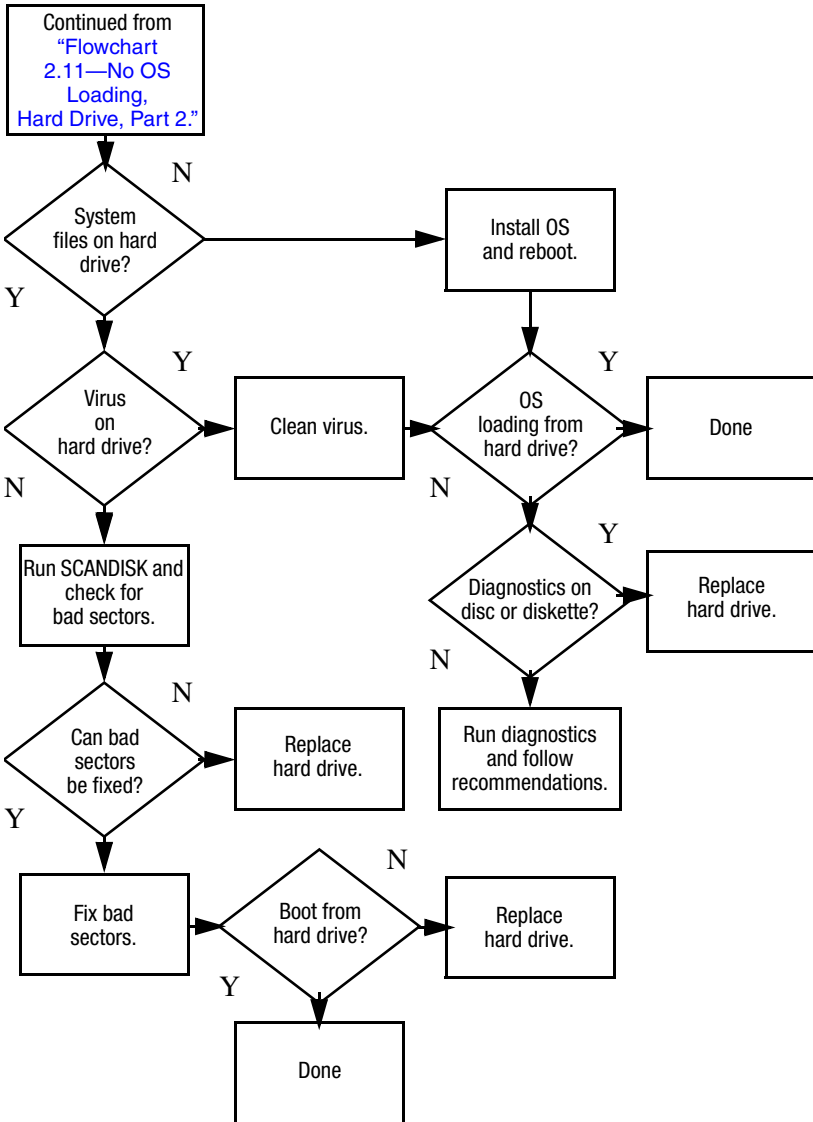
## Flowchart 2.10—No OS Loading, Hard Drive, Part 1



## Flowchart 2.11 – No OS Loading, Hard Drive, Part 2

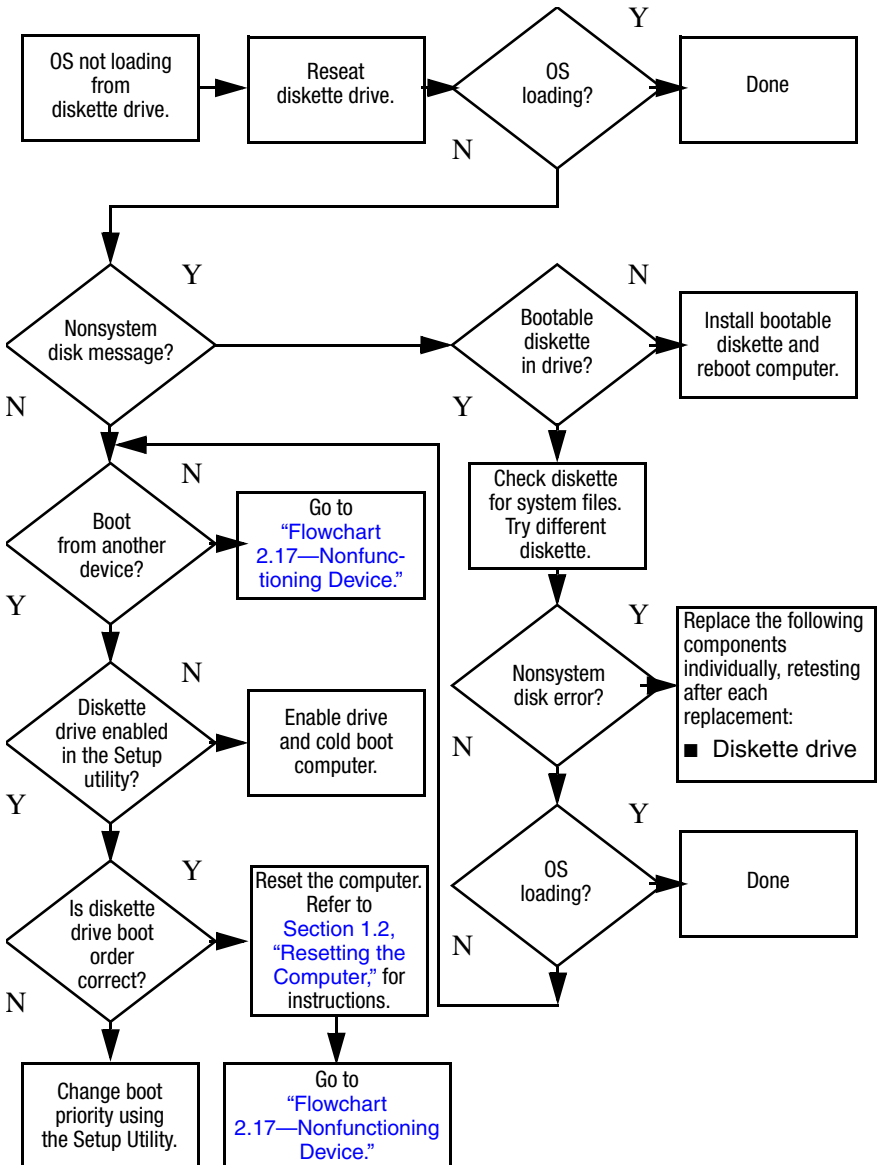


## Flowchart 2.12—No OS Loading, Hard Drive, Part 3

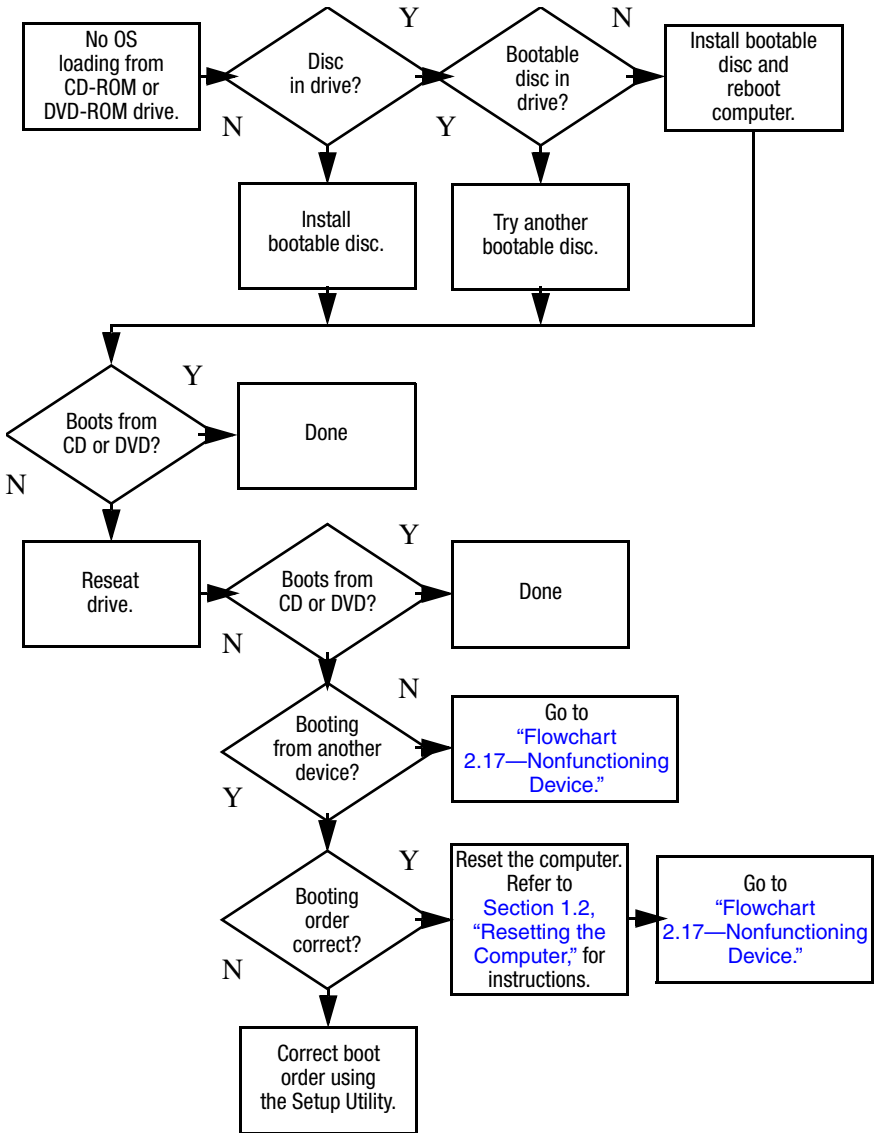




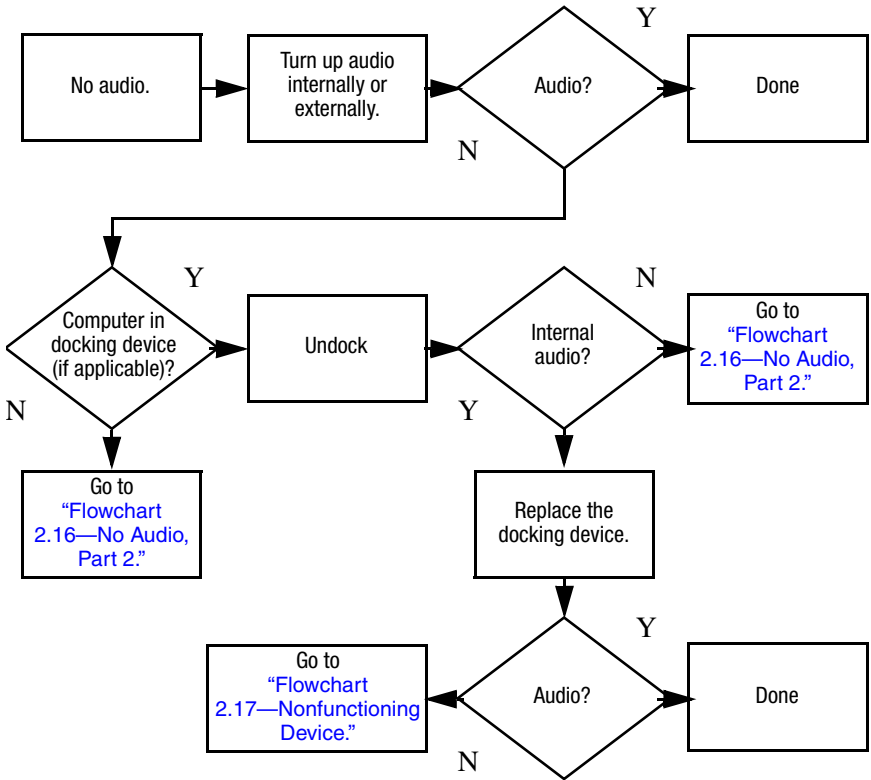
## Flowchart 2.13—No OS Loading, Diskette Drive



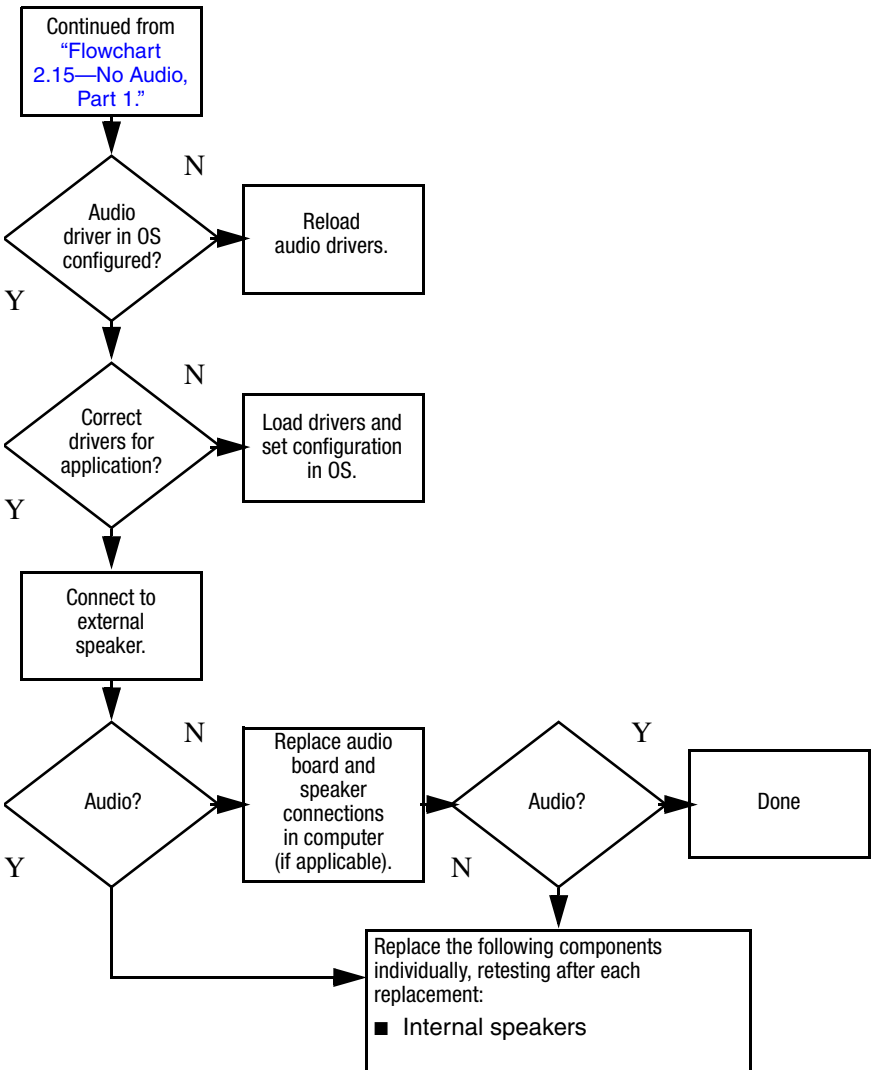
## Flowchart 2.14—No OS Loading, Optical Drive



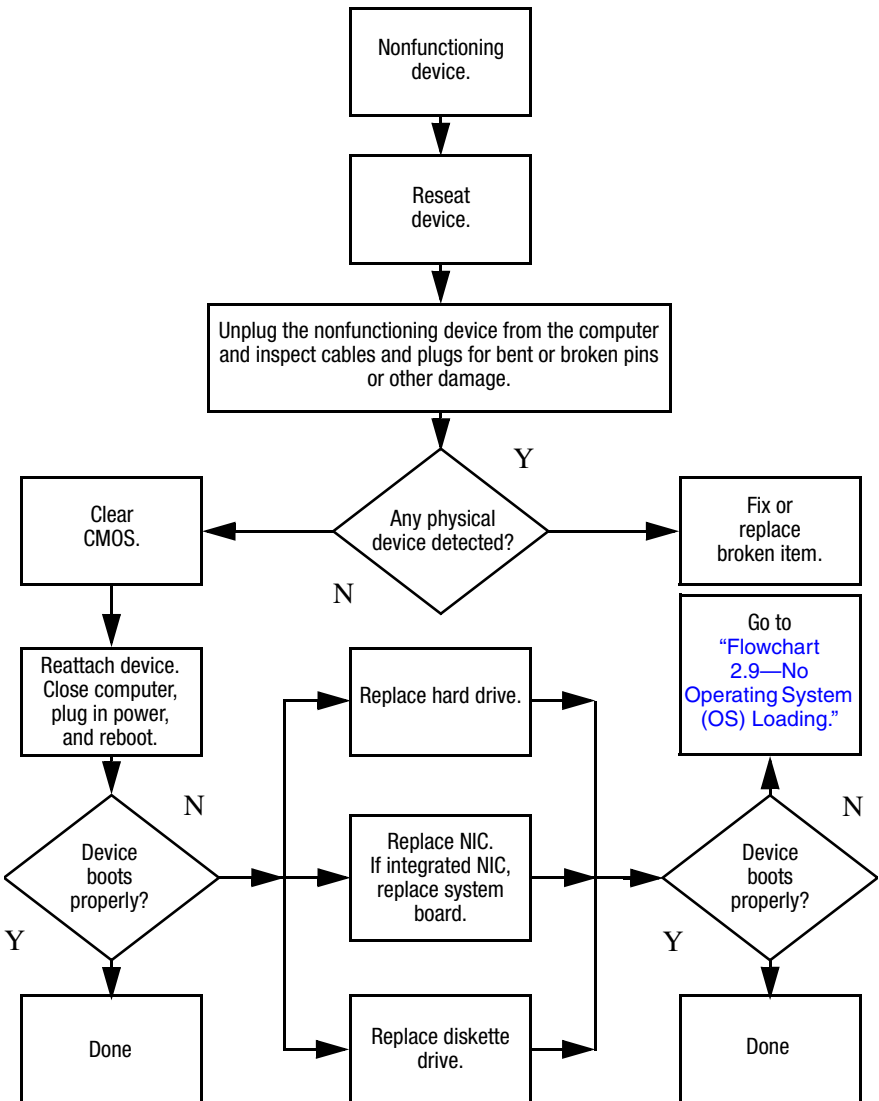
## Flowchart 2.15—No Audio, Part 1



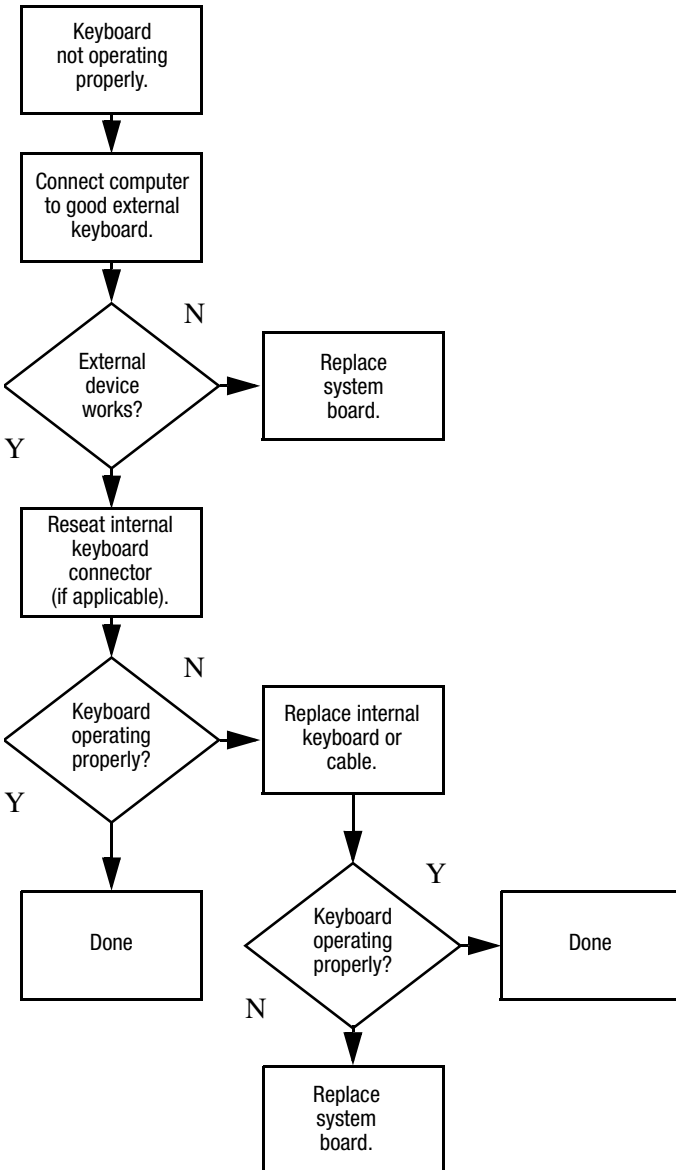
## Flowchart 2.16—No Audio, Part 2



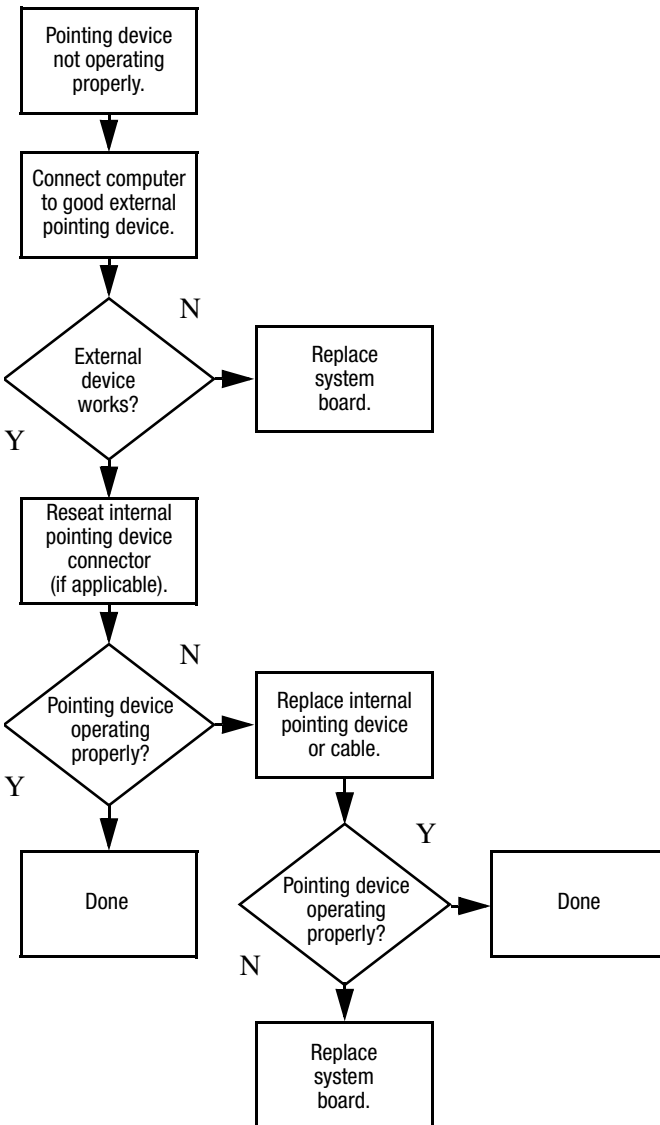
## Flowchart 2.17—Nonfunctioning Device



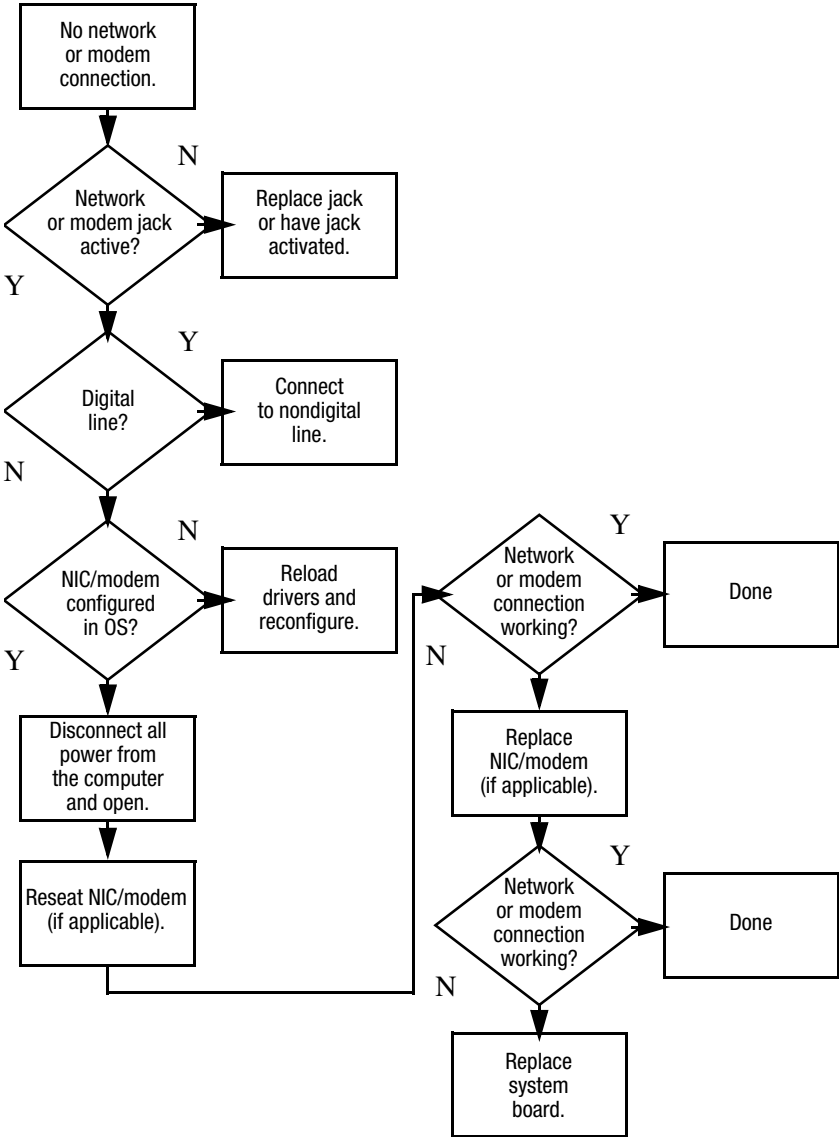
## Flowchart 2.18—Nonfunctioning Keyboard



## Flowchart 2.19—Nonfunctioning Pointing Device



## Flowchart 2.20—No Network/Modem Connection





# 3

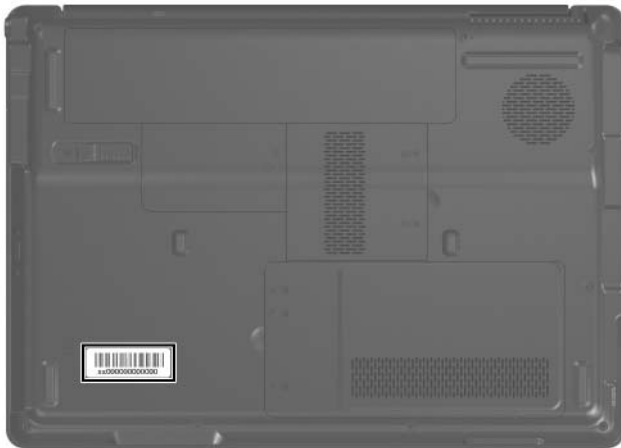
---

## Illustrated Parts Catalog

This chapter provides an illustrated parts breakdown and a reference for spare part numbers and option part numbers.

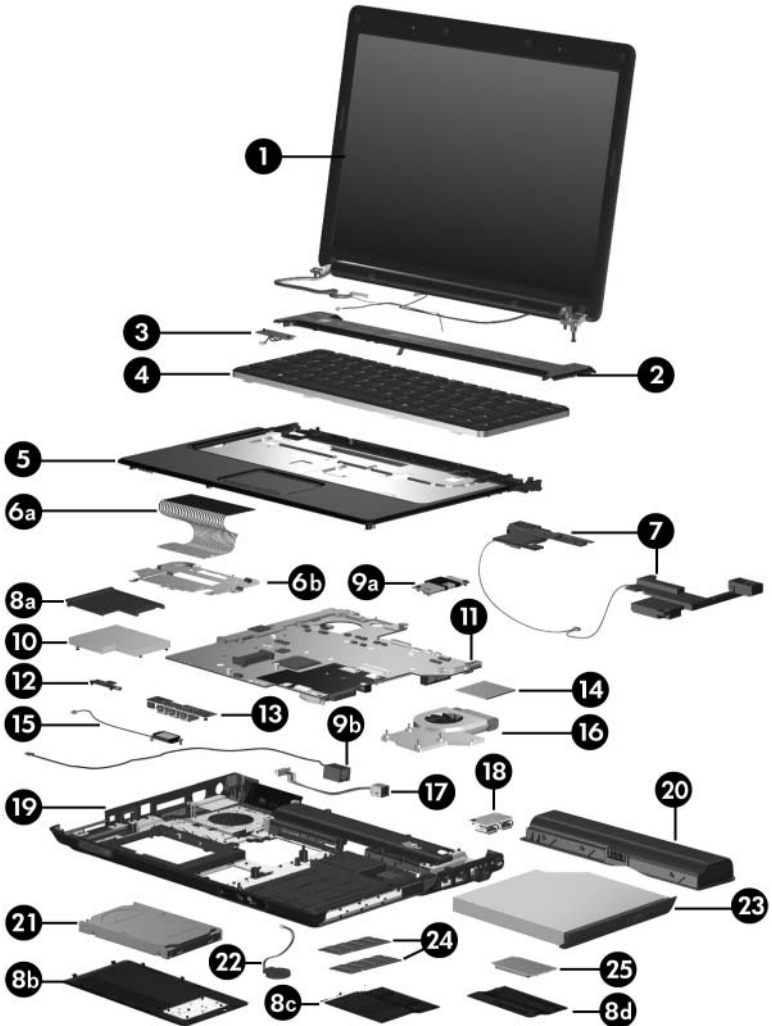
### 3.1 Serial Number Location

When ordering parts or requesting information, provide the computer serial number and model number located on the bottom of the computer.




*Serial Number Location*

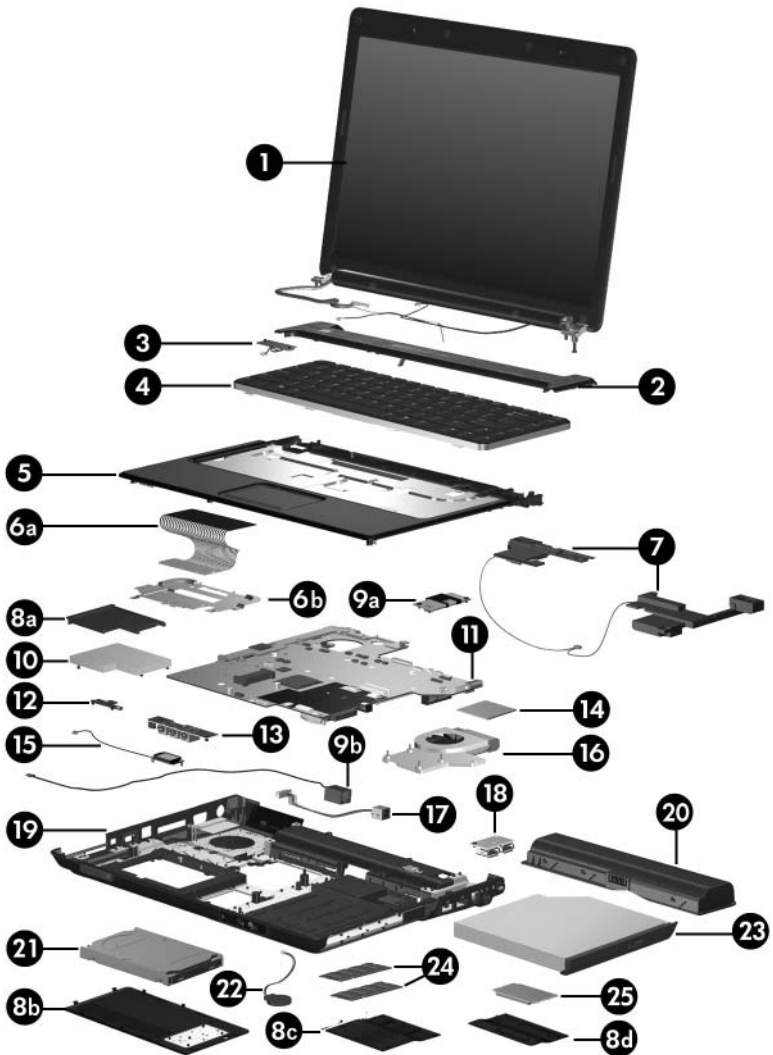
## 3.2 Computer Major Components



Computer Major Components

**Table 3-1**  
**Spare Parts: Computer Major Components**

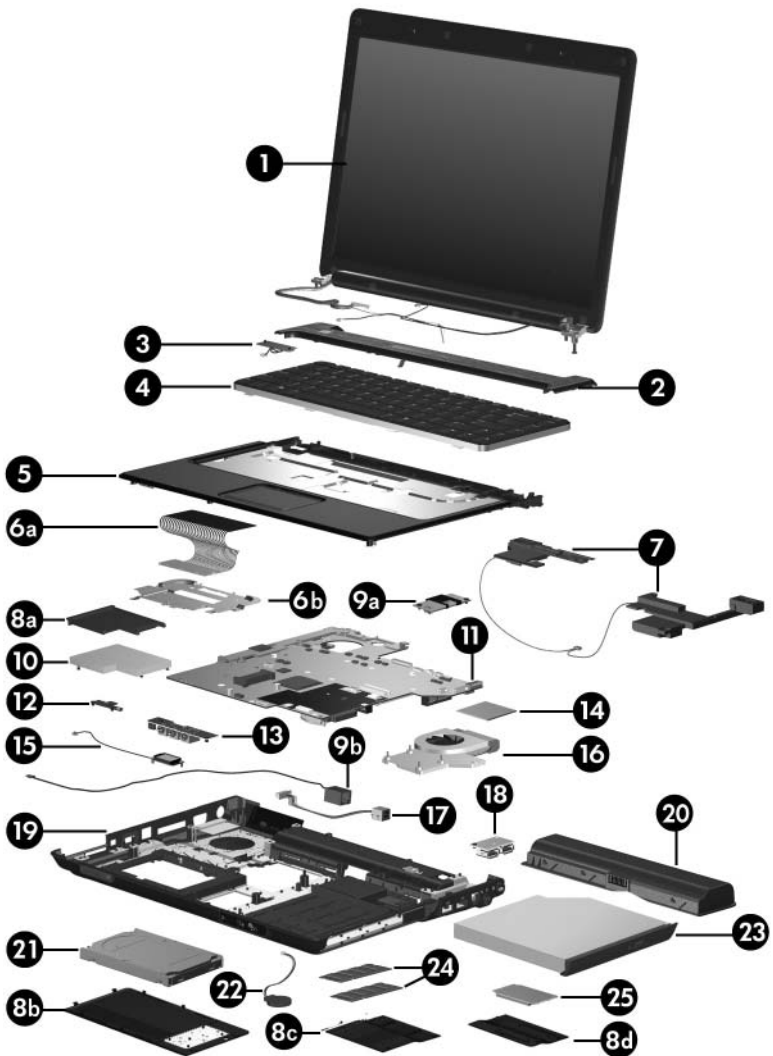
Item	Description	Spare Part Number
1	<b>14.0-inch, WXGA display assembly</b> (includes wireless antenna transceivers and cables)   Refer to <a href="#">Section 3.3, "Display Assembly Components,"</a> for display assembly internal component spare part number information.	417049-001
2	<b>Switch covers</b> (include wireless button and light)  For use with full-featured computer models For use with defeatured computer models	417077-001 417078-001
3	<b>Power button board</b> (includes power button board cable)	430475-001
4	<b>Keyboards</b>  For use only with computer models using Intel processors	
	Belgium	441317-A41
	Nordic	441317-DH1
	Brazil	441317-201
	Norway	441317-091
	Denmark	441317-081
	Portugal	441317-131
	European	441317-021
	Russia	441317-251
	France	441317-051
	Saudi Arabia	441317-171
	French Canada	441317-121
	Spain	441317-071
	Germany	441317-041
	Sweden/Finland	441317-101
	Greece	441317-DJ1
	Switzerland	441317-111
	International	441317-B31
	Taiwan	441317-AB1
	Israel	441317-BB1
	Thailand	441317-281
	Italy	441317-061
	Turkey	441317-141
	Japan	441317-291
	United Kingdom	441317-031
	Korea	441317-AD1
	United States	441317-001
	Latin America	441317-161



*Computer Major Components*

**Table 3-1****Spare Parts: Computer Major Components (Continued)**

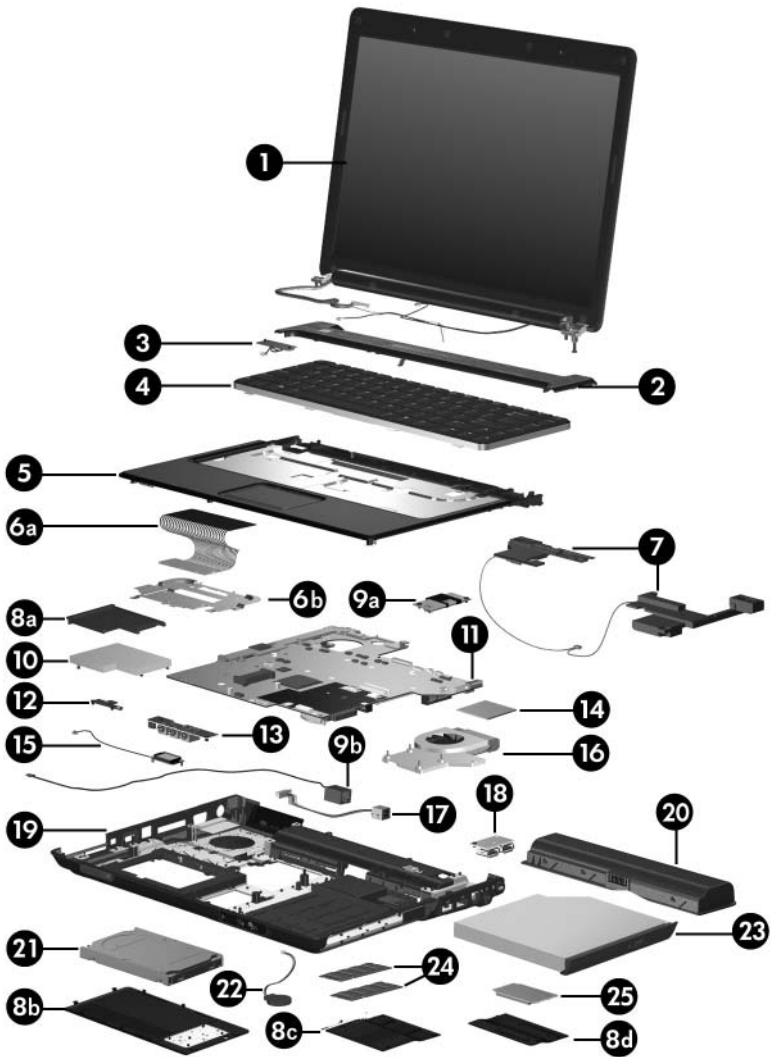
<b>Item</b>	<b>Description</b>	<b>Spare Part Number</b>
4	<b>Keyboards (Continued)</b>	
	For use only with computer models using AMD processors	
	Denmark            417069-081      Latin America	417069-161
	France            417069-051      Norway	417069-091
	French Canada    417069-121      Spain	417069-071
	Germany          417069-041      Sweden/Finland	417069-031
	International     417069-B31      Thailand	417069-281
	Italy              417069-061      The United States	417069-001
	Korea             417069-AD1	
5	<b>Top covers (include TouchPad)</b>	
	For use with full-featured computer models	417091-001
	For use with defeatured computer models	430468-001
	<b>Top cover rear strips (not illustrated)</b>	
	For use with full-featured computer models	430466-001
	For use with defeatured computer models	417088-001
6a	<b>TouchPad</b>	430464-001
6b	<b>TouchPad bracket</b>	
	<b>TouchPad cable (not illustrated)</b>	417082-001
7	<b>Speaker assembly</b>	417089-001
	<b>Plastics Kit</b>	417074-001
	Includes:	
8a	ExpressCard slot bezel	
8b	Hard drive cover (includes 2 captive screws, secured by C-clips)	
8c	Memory module compartment cover (includes 2 captive screws, secured by C-clips)	
8d	Mini Card compartment cover (includes 1 captive screws, secured by a C-clip)	



Computer Major Components

**Table 3-1****Spare Parts: Computer Major Components (Continued)**

<b>Item</b>	<b>Description</b>	<b>Spare Part Number</b>
9a	<b>Modem modules</b> (include modem module cable) For use with computer models using Intel processors For use with computer models using AMD processors	417083-001 431852-001
9b	Modem module cable	
10	<b>ExpressCard assembly</b>	417112-001
11	<b>System boards</b> For use with computer models using Intel processors: <ul style="list-style-type: none"> <li>■ PM/G72M-V for use with full-featured computer models</li> <li>■ GM for use with full-featured computer models</li> <li>■ GMZ for use with defeatured computer models</li> <li>■ PM/G72M-Z for use with full-featured models</li> <li>■ dv2100 for use with full-featured computer models</li> <li>■ GML for use with defeatured computer models</li> <li>■ dv2100 for use with defeatured computer models</li> <li>■ 943GML for use with defeatured computer models</li> </ul>	417035-001 417036-001 417037-001 440777-001 440768-001 440779-001 440769-001 446320-001
	For use with computer models using AMD processors: <ul style="list-style-type: none"> <li>■ For use with full-featured computer models</li> <li>■ For use with defeatured computer models</li> </ul>	431483-001 431844-001
12	<b>Wireless switch board</b> (includes wireless switch board cable)	417092-001
13	<b>Audio/infrared board</b> (includes audio/infrared board cable)	430465-001

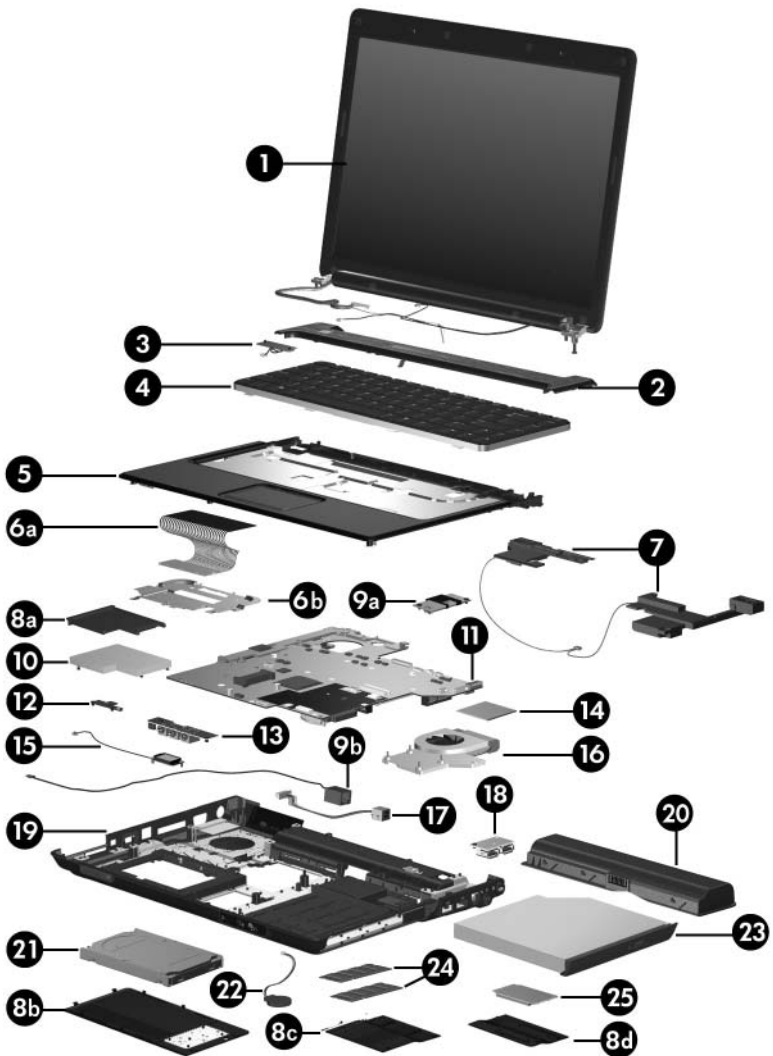


Computer Major Components



**Table 3-1****Spare Parts: Computer Major Components (Continued)**

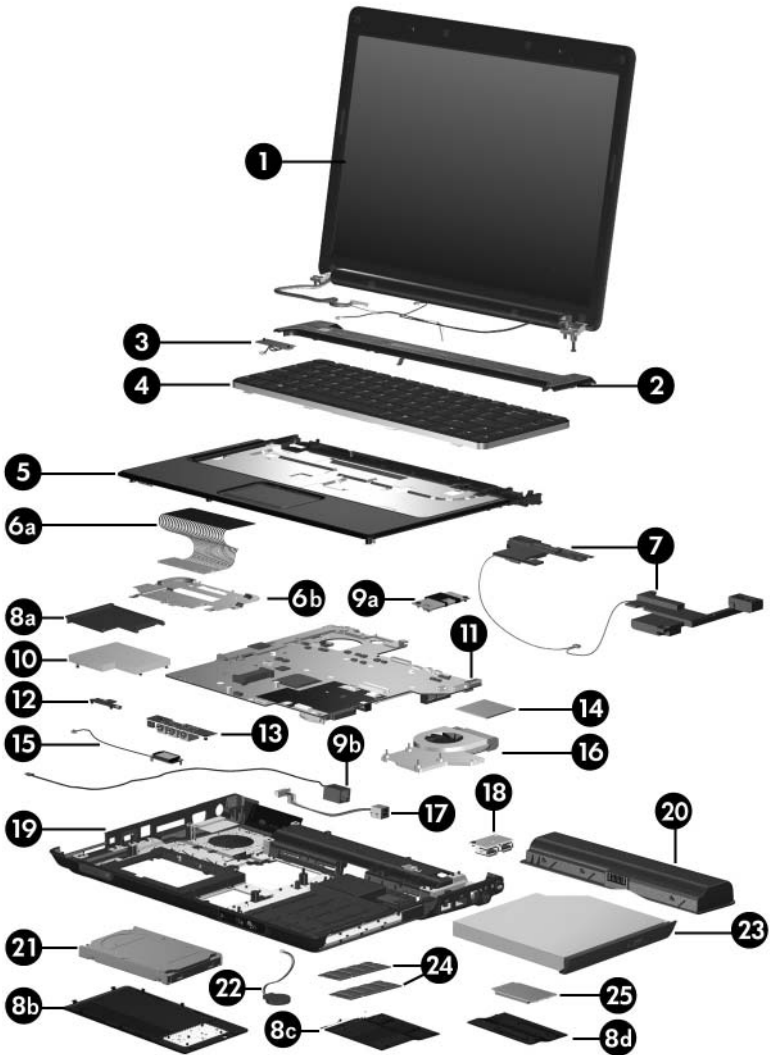
<b>Item</b>	<b>Description</b>	<b>Spare Part Number</b>
14	<b>Processors</b> (include thermal pad)	
	Intel Core Duo T7200 (2.00-GHz), use with V3200	435849-001
	Intel Core Duo T5600 (1.83-GHz), use with V3200	435848-001
	Intel Core Duo T5500 (1.66-GHz), use with V3200	437780-001
	Intel Core Duo T5200 (1.60-GHz), use with V3200	437781-001
	Intel Core Duo T2600 (2.16-GHz)	417044-001
	Intel Core Duo T2500 (2.00-GHz)	417043-001
	Intel Core Duo T2400 (1.83-GHz)	417042-001
	Intel Core Duo T2250 (1.73-GHz)	430455-001
	Intel Core Duo T2300 (1.66-GHz)	417041-001
	Intel Core Duo T2350 (1.60-GHz), use with V3200	440781-001
	Intel Core Duo T2060 (1.60-GHz), use with V3200	441610-001
	Intel Core Duo T2050 (1.60-GHz)	430454-001
	Intel Core Solo T1350 (1.80-GHz)	430456-001
	Intel Celeron M 440 (1.86-GHz), use with V3200	440780-001
	Intel Celeron M 430 (1.73-GHz), use with V3200	435851-001
	AMD Turion Dual Core, TL-60, 2.0-GHz, use with dv2200	440771-001
	AMD Turion 64, MK-36, 2.00-GHz, use with V3200	438210-001
	AMD Turion TL-56, 1.80-GHz	435837-001
	AMD Turion ML-52 1.60-GHz	431846-001
	AMD Turion ML-50 1.60-GHz	431845-001
	Mobile AMD Sempron 3500+ (1.80-GHz), use with V3200	435838-001
	Mobile AMD Sempron 3400+ (1.80-GHz)	431849-001
	Mobile AMD Sempron 3200+ (1.60-GHz)	431484-001
15	<b>Bluetooth® module</b> (includes Bluetooth module cable)	397923-002



Computer Major Components

**Table 3-1****Spare Parts: Computer Major Components (Continued)**

<b>Item</b>	<b>Description</b>	<b>Spare Part Number</b>
16	<b>Fan/heat sink assemblies</b> (include thermal pads) For use with computer models using Intel processors:	
	■ For use on UMA system boards	430463-001
	■ For use on discrete system boards	417081-001
	For use with computer models using AMD processors	431851-001
	<b>Fan/heat sink assembly mounting bracket</b> (not illustrated)	417114-001
17	<b>Power connector cables</b> For use with UMA system boards	430462-001
	For use only with computer models using Intel processors	430461-001
18	<b>USB board</b> (includes USB board cable)	417085-001
19	<b>Base enclosures</b> For use with full-featured computer models	417094-001
	For use with defeatured computer models	430470-001
	<b>Rubber Feet Kit</b> (includes computer feet, not illustrated)	417096-001
20	<b>Batteries</b> 12-cell, 8.8-Ahr	417067-001
	6-cell, 4.0-Ahr	417066-00
	6-cell, 2.55-Ahr	441611-001
	6-cell, 2.2-Ahr	440772-001

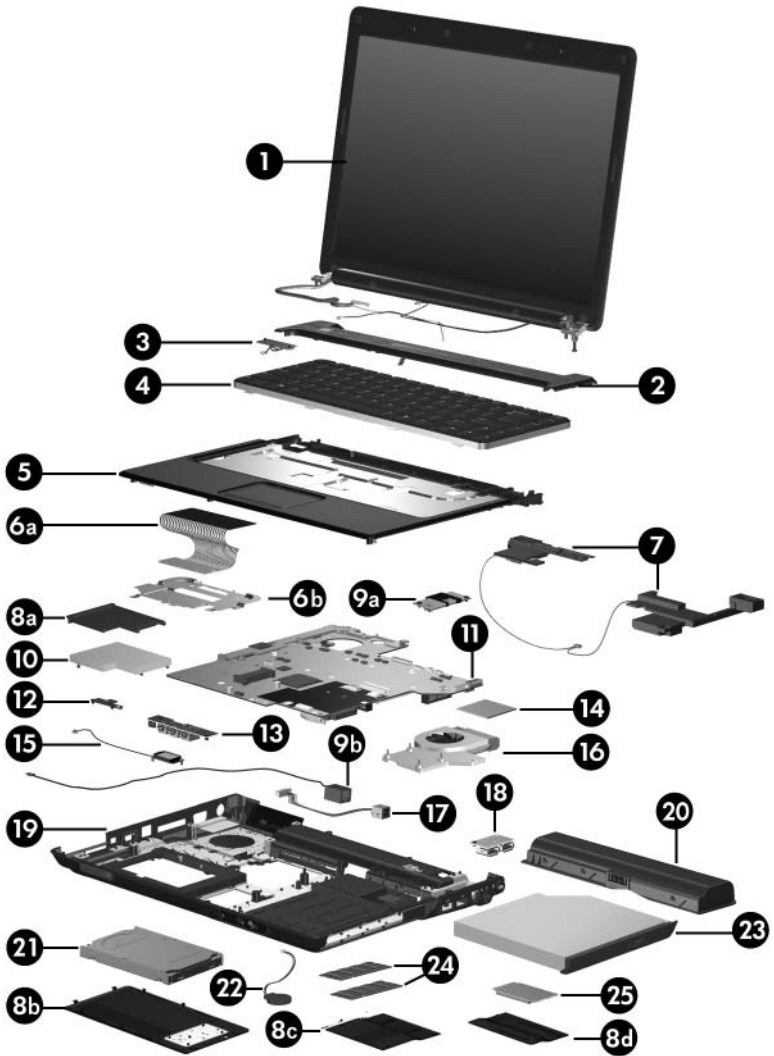


Computer Major Components

Table 3-1

Spare Parts: Computer Major Components (*Continued*)

Item	Description	Spare Part Number
21	<b>Hard drives</b> (include frame and connector)	
	For use only with computer models using Intel processors:	
	5400-rpm, 160-GB	442171-001
	5400-rpm, 120-GB	417059-001
	For use with all computer models:	
	5400-rpm, 120-GB	417059-001
	5400-rpm, 100-GB	417058-001
	5400-rpm, 80-GB	417057-001
	5400-rpm, 60-GB	417056-001
	5400-rpm, 40-GB	430460-001
22	<b>RTC battery</b>	417076-001
23	<b>Optical drives</b> (include bezel)	
	DVD/CD-RW Combo Drive	417063-001
	DVD±RW/R and CD-RW Double-Layer Combo Drive	417064-001
	DVD±RW/R and CD-RW Double-Layer Combo Drive with LightScribe	417065-001
24	<b>Memory modules, 1-DIMM, DDR2</b>	
	PC2-5300, 667-MHz	
	1024 MB	417055-001
	512 MB	417054-001
	256 MB	417503-001
	PC2-4200, 533-MHz	
	1024 MB	417052-001
	512 MB	417051-001
	256 MB	417050-001

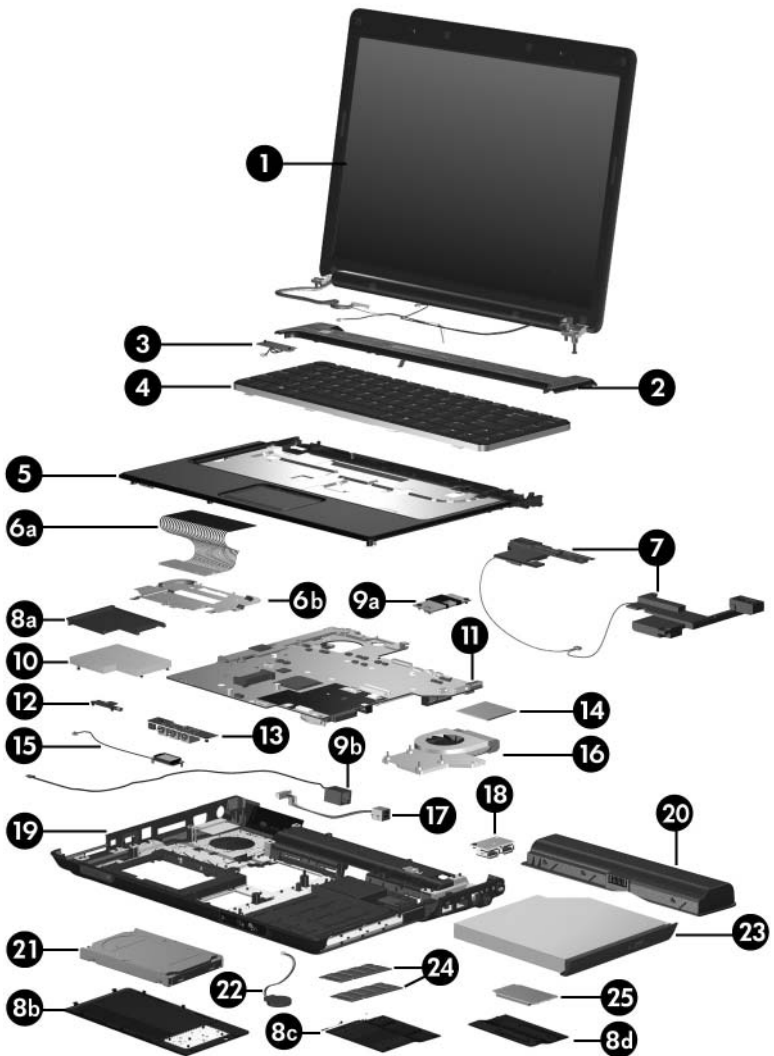


Computer Major Components

Table 3-1

Spare Parts: Computer Major Components (*Continued*)

Item	Description	Spare Part Number		
25	<b>Mini Card modules</b>			
	■ 802.11b/g WLAN Mini Card module for use in the countries or regions listed below. These countries or regions are categorized as most of the world (MOW 1).	409407-001		
	Antigua & Barbuda	Canada	Panama	Paraguay
	Argentina	Chile	India	Saudi Arabia
	Australia	Dominican Republic	Indonesia	Taiwan
	Bahamas	Guam	Malaysia	The United States
	Barbados	Guatemala	Mexico	Vietnam
	Brunei	Hong Kong	New Zealand	
	■ 802.11b/g WLAN Mini Card module for use in the countries or regions listed below. These countries or regions are categorized as most of the world (MOW 2).	409407-002		
	Aruba	Egypt	The Philippines	The Netherlands
	Austria	El Salvador	Poland	Norway
	Azerbaijan	Estonia	Portugal	Oman
	Bahrain	Finland	Romania	Slovenia
	Belgium	France	Russia	South Africa
	Bermuda	Georgia	Serbia and Montenegro	Spain
	Bulgaria	Germany	Singapore	Sri Lanka
	Cayman Islands	Greece	Slovakia	Sweden
	Columbia	Hungary	Liechtenstein	Switzerland
	Croatia	Iceland	Lithuania	Turkey
	Cyprus	Ireland	Luxembourg	The United Kingdom
	The Czech Republic	Italy	Malta	Uzbekistan
	Denmark	Latvia	Monaco	
		Lebanon		



Computer Major Components

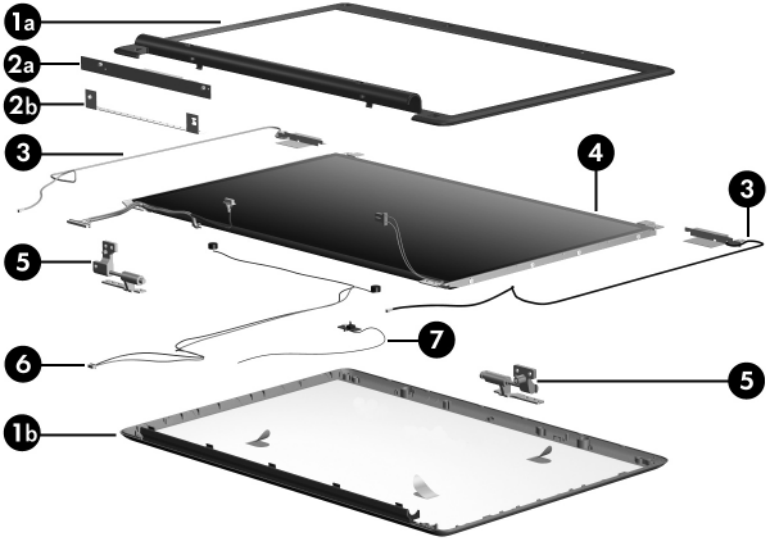


**Table 3-1**

**Spare Parts: Computer Major Components (Continued)**

Item	Description	Spare Part Number												
25	<b>Mini Card modules (Continued)</b>													
	For use with computer models using Intel processors:													
	<ul style="list-style-type: none"> <li>■ 802.11a/b/g WLAN Mini Card module for use in the countries or regions listed below. These countries or regions are categorized as the rest of the world (ROW).</li> </ul>	409497-001												
	<table border="0" style="width: 100%;"> <tr> <td style="width: 25%;">China</td> <td style="width: 25%;">Honduras</td> <td style="width: 25%;">Qatar</td> <td style="width: 25%;">Uruguay</td> </tr> <tr> <td>Ecuador</td> <td>Pakistan</td> <td>South Korea</td> <td>Venezuela</td> </tr> <tr> <td>Haiti</td> <td>Peru</td> <td></td> <td></td> </tr> </table>	China	Honduras	Qatar	Uruguay	Ecuador	Pakistan	South Korea	Venezuela	Haiti	Peru			
China	Honduras	Qatar	Uruguay											
Ecuador	Pakistan	South Korea	Venezuela											
Haiti	Peru													
	For use with computer models using AMD processors:													
	<ul style="list-style-type: none"> <li>■ 802.11a/b/g LJ WLAN Mini Card module for use in the United States and Canada.</li> </ul>	416377-001												
	<ul style="list-style-type: none"> <li>■ 802.11a/b/g LJ WLAN Mini Card module for use in the ROW countries or regions listed below:</li> </ul>	416377-002												
	<table border="0" style="width: 100%;"> <tr> <td style="width: 25%;">China</td> <td style="width: 25%;">Honduras</td> <td style="width: 25%;">Qatar</td> <td style="width: 25%;">Uruguay</td> </tr> <tr> <td>Ecuador</td> <td>Pakistan</td> <td>South Korea</td> <td>Venezuela</td> </tr> <tr> <td>Haiti</td> <td>Peru</td> <td></td> <td></td> </tr> </table>	China	Honduras	Qatar	Uruguay	Ecuador	Pakistan	South Korea	Venezuela	Haiti	Peru			
China	Honduras	Qatar	Uruguay											
Ecuador	Pakistan	South Korea	Venezuela											
Haiti	Peru													
	802.11b/g HS WLAN Mini Card module for use in the United States and Canada.	416376-001												
	802.11b/g HS WLAN Mini Card module for use in the ROW countries or regions listed below:	416376-002												
	<table border="0" style="width: 100%;"> <tr> <td style="width: 25%;">China</td> <td style="width: 25%;">Honduras</td> <td style="width: 25%;">Qatar</td> <td style="width: 25%;">Uruguay</td> </tr> <tr> <td>Ecuador</td> <td>Pakistan</td> <td>South Korea</td> <td>Venezuela</td> </tr> <tr> <td>Haiti</td> <td>Peru</td> <td></td> <td></td> </tr> </table>	China	Honduras	Qatar	Uruguay	Ecuador	Pakistan	South Korea	Venezuela	Haiti	Peru			
China	Honduras	Qatar	Uruguay											
Ecuador	Pakistan	South Korea	Venezuela											
Haiti	Peru													
	<ul style="list-style-type: none"> <li>■ 802.11b/g WLAN Mini Card module for use in Costa Rica, Israel, Kuwait, Thailand, United Arab Emirates, Ukraine.</li> </ul>	430453-001												

### 3.3 Display Assembly Components



*Display Assembly Components*

**Table 3-2**  
**Display Assembly Components**  
**Spare Part Number Information**

Item	Description	Spare Part Number
	<b>Display Plastics Kit</b>	
	For use with full-featured computer models	430472-001
	For use with defeatured computer models	417101-001
	Includes:	
1a	■ Display bezel	
1b	■ Display enclosure	
2a	<b>Display inverter</b> , includes	417097-001
2b	<b>Display inverter bracket</b>	
3	<b>Wireless antenna transceivers and cables</b>	417107-001
4	<b>Display panels</b>	
	14.1-inch, WXGA, SVA display panel with BrightView	430459-001
	For use with V3200 models, BV panel	435842-001
	For use with V3200 models, CAY panel	435843-001
	14.1-inch WXGA AG with microphone, for full-featured models	435856-001
	14.1-inch WXGA AG for defeatured models	435855-001
5	<b>Display Hinge Kit</b> (includes left and right display hinges)	417103-001
6	<b>Display Cable Kit</b> (includes microphones and cables)	430904-001
7	<b>Display lid switch module</b> (includes display lid switch module cable)	431881-001
	<b>Display Label Kit</b> (not illustrated)	417111-001
	<b>Display Screw Kit</b> (includes screws and rubber screw covers, not illustrated)	417105-001
	<b>Web camera</b> (includes Web camera bracket; not illustrated)	417113-001

## **3.4 Mass Storage Devices**



*Mass Storage Devices*

**Table 3-3**  
**Mass Storage Devices**  
**Spare Part Number Information**

<b>Item</b>	<b>Description</b>	<b>Spare Part Number</b>
1	<b>Hard drives</b> (include frame and connector)	
	5400-rpm, 160-GB	442171-001
	5400-rpm, 120-GB	417059-001
	5400-rpm, 100-GB	417058-001
	5400-rpm, 80-GB	417057-001
	5400-rpm, 60-GB	417056-001
	5400-rpm, 40-GB	430460-001
2	<b>Optical drives</b>	
	DVD/CD-RW Combo Drive	417063-001
	DVD±RW/R and CD-RW Double-Layer Combo Drive	417064-001
	DVD±RW/R and CD-RW Double-Layer Combo Drive with LightScribe	417065-001
	<b>USB digital drive</b> (not illustrated)	364727-001

## 3.5 Plastics Kit



*Plastics Kit Contents*

---

**Table 3-4**  
**Plastics Kit**  
**Spare Part Number Information**

---

<b>Item</b>	<b>Description</b>	<b>Spare Part Number</b>
	<b>Plastics Kit</b>	417074-001
	Includes:	
1	Mini Card compartment cover (includes 1 captive screw, secured by a C-clip)	
2	Hard drive cover (includes 2 captive screws, secured by C-clips)	
3	Memory module compartment cover (includes 2 captive screws, secured by C-clips)	
4	ExpressCard slot bezel	

---

## 3.6 Cable Kit



*Cable Kit Contents*

**Table 3-5**  
**Cable Kit**  
**Spare Part Number Information**

Item	Description	Spare Part Number
	<b>Cable Kit</b>	430474-001
	Includes:	
1	LED board cable	
2	TouchPad cable	
3	USB board cable (includes num lock light cable)	
4	Bluetooth module cable	

## 3.7 Miscellaneous

**Table 3-6**  
**Spare Parts: Miscellaneous (not illustrated)**

<b>Description</b>	<b>Spare Part Number</b>
Analog TV tuner	407941-001
Composite S-Video and audio input cable	407939-001
DVB-T TV tuner	412175-001
DVB-T TV tuner antenna	412176-001
Earbud headset	371693-003
HP 65-W AC Adapter	409843-001
HP 90-W AC adapter, use with V3200 models	409515-001
HP Remote Control	407313-001
RF cable	408485-001
RF input adapter cable	407940-001
USB infrared receiver	408483-001
USB travel mouse	309674-001
Wireless laser mouse	430958-001
Optical wired mouse	436238-001
Expansion hub	430326-001
HP xb3000 Expansion Base	417330-001
USB travel mouse	435836-001
Backpack	405527-001
Remote control, ExpressCard	439128-001
Infrared emitter	439129-001
TV tuner - ExpressCard	439130-001



Table 3-6

Spare Parts: Miscellaneous (not illustrated) (*Continued*)

Description	Spare Part Number
TV tuner antenna	439131-001
Remote control, ExpressCard (EMEA)	439254-001
Carrying case	418162-001
HP Remote Control	435743-001
<b>Screw Kit</b> (includes the following screws; refer to <a href="#">Appendix A, "Screw Listing,"</a> for more information on screw specifications and usage)	417109-001
<ul style="list-style-type: none"> <li>■ Phillips PM3.0×3.0 screw</li> <li>■ Phillips PM2.5×9.0 screw</li> <li>■ Phillips PM2.5×7.0 screw</li> <li>■ Black Phillips PM2.5×5.0 screw</li> <li>■ Silver Phillips PM2.5×5.0 screw</li> <li>■ Phillips PM2.0×5.0 captive screw</li> </ul>	<ul style="list-style-type: none"> <li>■ Phillips PM2.0×13.0 spring-loaded shoulder screw</li> <li>■ Phillips PM2.0×9.0 spring-loaded shoulder screw</li> <li>■ Phillips PM2.0×8.0 screw</li> <li>■ Phillips PM2.0×4.0 screw</li> <li>■ Phillips PM2.0×3.0 screw</li> <li>■ Phillips PM2.0×2.0 screw</li> </ul>

**Table 3-6**

**Spare Parts: Miscellaneous (not illustrated) (Continued)**

---

<b>Description</b>	<b>Spare Part Number</b>
<b>Power cords</b>	
For use in:	
Australia and New Zealand	383496-011
Belgium, Europe, Finland, France, Germany, Greece, the Netherlands, Norway, Portugal, Spain, and Sweden	383496-021
Brazil	383496-201
Canada, French Canada, Latin America, Thailand, and the United States	383496-001
Denmark	383496-081
Hong Kong and the United Kingdom	383496-031
India	383496-D61
Israel	383496-BB1
Italy	383496-061
Japan	383496-291
Korea	383496-AD1
People's Republic of China	383496-AA1
Switzerland	383496-111
Taiwan	383496-AB1

---

## 3.8 Sequential Part Number Listing

**Table 3-7**  
**Spare Parts: Sequential Part Number Listing**

<b>Spare Part Number</b>	<b>Description</b>
309674-001	USB travel mouse
364727-001	USB digital drive (not illustrated)
371693-003	Earbud headset
383496-001	Power cord for use in Canada, French Canada, Latin America, Thailand, and the United States
383496-011	Power cord for use in Australia and New Zealand
383496-021	Power cord for use in Belgium, Europe, Finland, France, Germany, Greece, the Netherlands, Norway, Portugal, Spain, and Sweden
383496-031	Power cord for use in Hong Kong and the United Kingdom
383496-061	Power cord for use in Italy
383496-081	Power cord for use in Denmark
383496-111	Power cord for use in Switzerland
383496-201	Power cord for use in Brazil
383496-291	Power cord for use in Japan
383496-AA1	Power cord for use in the People's Republic of China
383496-AB1	Power cord for use in Taiwan
383496-AD1	Power cord for use in Korea
383496-BB1	Power cord for use in Israel
383496-D61	Power cord for use in India
397923-002	Bluetooth® module (includes Bluetooth module cable)
405527-001	Backpack
407939-001	Composite S-Video and audio input cable

**Table 3-7**

**Spare Parts: Sequential Part Number Listing (*Continued*)**

407313-001	HP Remote Control		
407940-001	RF input adapter cable		
407941-001	Analog TV tuner		
408483-001	USB infrared receiver		
408485-001	RF cable		
409407-001	802.11b/g WLAN Mini Card module for use with computer models using Intel processors in the MOW1 countries or regions listed below:		
	Antigua & Barbuda	Canada	Panama
	Argentina	Chile	India
	Australia	Dominican Republic	Indonesia
	Bahamas	Guam	Malaysia
	Barbados	Guatemala	Mexico
	Brunei	Hong Kong	New Zealand
409407-002	802.11b/g WLAN Mini Card module for use with computer models using Intel processors in the MOW2 countries or regions listed below:		
	Aruba	Egypt	The Philippines
	Austria	El Salvador	Poland
	Azerbaijan	Estonia	Portugal
	Bahrain	Finland	Romania
	Belgium	France	Russia
	Bermuda	Georgia	Serbia and Montenegro
	Bulgaria	Germany	
	Cayman Islands	Greece	Singapore
	Columbia	Hungary	Slovakia
	Croatia	Iceland	Liechtenstein
	Cyprus	Ireland	Lithuania
	The Czech Republic	Italy	Luxembourg
	Denmark	Latvia	Malta
		Lebanon	Monaco

**Table 3-7**

**Spare Parts: Sequential Part Number Listing (*Continued*)**

<b>Spare Part Number</b>	<b>Description</b>									
409497-001	802.11a/b/g WLAN Mini Card module for use with computer models using Intel processors in the ROW countries or regions listed below:  <table border="0"> <tr> <td>China</td> <td>Honduras</td> <td>Qatar</td> </tr> <tr> <td>Ecuador</td> <td>Pakistan</td> <td>South Korea</td> </tr> <tr> <td>Haiti</td> <td>Peru</td> <td></td> </tr> </table>	China	Honduras	Qatar	Ecuador	Pakistan	South Korea	Haiti	Peru	
China	Honduras	Qatar								
Ecuador	Pakistan	South Korea								
Haiti	Peru									
409515-001	HP 90-W AC adapter, use with V3200 models									
409843-001	HP 65-W AC Adapter									
412175-001	DVB-T TV tuner									
412176-001	DVB-T TV tuner antenna									
416376-001	802.11b/g WLAN Mini Card module for use with computer models using AMD processors in the United States and Canada									
416376-002	802.11/b/g WLAN Mini Card module for use with computer models using AMD processors in the ROW countries or regions listed below:  <table border="0"> <tr> <td>China</td> <td>Honduras</td> <td>Qatar</td> </tr> <tr> <td>Ecuador</td> <td>Pakistan</td> <td>South Korea</td> </tr> <tr> <td>Haiti</td> <td>Peru</td> <td></td> </tr> </table>	China	Honduras	Qatar	Ecuador	Pakistan	South Korea	Haiti	Peru	
China	Honduras	Qatar								
Ecuador	Pakistan	South Korea								
Haiti	Peru									
416377-001	802.11a/b/g WLAN Mini Card module for use with computer models using AMD processors in the United States and Canada									
416377-002	802.11a/b/g WLAN Mini Card module for use with computer models using AMD processors in the ROW countries or regions listed below:  <table border="0"> <tr> <td>China</td> <td>Honduras</td> <td>Qatar</td> </tr> <tr> <td>Ecuador</td> <td>Pakistan</td> <td>South Korea</td> </tr> <tr> <td>Haiti</td> <td>Peru</td> <td></td> </tr> </table>	China	Honduras	Qatar	Ecuador	Pakistan	South Korea	Haiti	Peru	
China	Honduras	Qatar								
Ecuador	Pakistan	South Korea								
Haiti	Peru									

**Table 3-7**

**Spare Parts: Sequential Part Number Listing (*Continued*)**

---

<b>Spare Part Number</b>	<b>Description</b>
4170356-001	PM/G72M-V system board for use with full-featured computer models using Intel processors
417036-001	GM system board for use with full-featured computer models using Intel processors
417037-001	GMZ system board for use with defeatured computer models using Intel processors
417041-001	Intel Core Duo T2300 (1.66-GHz) processor (includes thermal pad)
417042-001	Intel Core Duo T2400 (1.83-GHz) processor (includes thermal pad)
417043-001	Intel Core Duo T2500 (2.00-GHz) processor (includes thermal pad)
417044-001	Intel Core Duo T2600 (2.16-GHz) processor (includes thermal pad)
417049-001	14.0-inch, WXGA display assembly (includes wireless antenna transceivers and cables)
417050-001	1-DIMM, DDR2, PC2-4200, 533-MHz, 256-MB memory module
417051-001	1-DIMM, DDR2, PC2-4200, 533-MHz, 512-MB memory module
417052-001	1-DIMM, DDR2, PC2-4200, 533-MHz, 1024-MB memory module
417053-001	1-DIMM, DDR2, PC2-5300, 667-MHz, 256-MB memory module
417054-001	1-DIMM, DDR2, PC2-5300, 667-MHz, 512-MB memory module
417055-001	1-DIMM, DDR2, PC2-5300, 667-MHz, 1024-MB memory module

---

**Table 3-7****Spare Parts: Sequential Part Number Listing (*Continued*)**

<b>Spare Part Number</b>	<b>Description</b>
417056-001	5400-rpm, 60-GB hard drive (includes frame and connector)
417057-001	5400-rpm, 80-GB hard drive (includes frame and connector)
417058-001	5400-rpm, 100-GB hard drive (includes frame and connector)
417059-001	5400-rpm, 120-GB hard drive for use only with computer models using Intel processors (includes frame and connector)
417063-001	DVD/CD-RW Combo Drive
417064-001	DVD±RW/R and CD-RW Double-Layer Combo Drive
417065-001	DVD±RW/R and CD-RW Double-Layer Combo Drive with LightScribe
417066-001	6-cell, 4.0-Ahr battery
417067-001	12-cell, 8.8-Ahr battery
417069-001	Keyboard for use with computer models using AMD processors in the United States
417069-041	Keyboard for use with computer models using AMD processors in Germany
417069-051	Keyboard for use with computer models using AMD processors in France
417069-061	Keyboard for use with computer models using AMD processors in Italy
417069-071	Keyboard for use with computer models using AMD processors in Spain
417069-081	Keyboard for use with computer models using AMD processors in Denmark
417069-091	Keyboard for use with computer models using AMD processors in Norway

**Table 3-7**

**Spare Parts: Sequential Part Number Listing (*Continued*)**

<b>Spare Part Number</b>	<b>Description</b>
417069-101	Keyboard for use with computer models using AMD processors in Sweden/Finland
417069-121	Keyboard for use with computer models using AMD processors in French Canada
417069-161	Keyboard for use with computer models using AMD processors in Latin America
417069-281	Keyboard for use with computer models using AMD processors in Thailand
417069-AD1	Keyboard for use with computer models using AMD processors in Korea
417069-B31	Keyboard for use with computer models using AMD processors internationally
417074-001	Plastics Kit
417076-001	RTC battery
417077-001	Switch cover for use with full-featured computer models (include wireless button and light)
417078-001	Switch cover for use with defeatured computer models (include wireless button and light)
417081-001	Fan/heat sink assembly (include thermal pads) for use only with computer models using Intel processors
417082-001	TouchPad cable
417083-001	Modem module for use only with computer models using Intel processors
417085-001	USB board (includes USB board cable)
417089-001	Speaker assembly
417091-001	Top cover for use with full-featured computer models (includes TouchPad)



**Table 3-7****Spare Parts: Sequential Part Number Listing (*Continued*)**

<b>Spare Part Number</b>	<b>Description</b>
417092-001	Wireless switch board (includes wireless switch board cable)
417094-001	Base enclosure for use with full-featured computer models
417096-001	Rubber Feet Kit (includes computer feet)
417097-001	Display inverter
417101-001	Display Plastics Kit for use with full-featured computer models (includes display bezel, microphone, and display enclosure)
417103-001	Display Hinge Kit (includes left and right display hinges)
417105-001	Display Screw Kit (includes screws and rubber screw covers)
417107-001	Wireless antenna transceivers and cables
417109-001	Screw Kit
417111-001	Display Label Kit
417112-001	ExpressCard assembly
417114-001	Fan/heat sink assembly mounting bracket
417330-001	HP xb3000 Expansion Base
418162-001	Carrying case
430326-001	Expansion hub
430453-001	802.11b/g WLAN Mini Card module for use in Costa Rica, Israel, Kuwait, Thailand, United Arab Emirates, Ukraine.
430454-001	Intel Core Duo T2050 (1.60-GHz) processor (includes thermal pad)
430455-001	Intel Core Duo T2250 (1.73-GHz) processor (includes thermal pad)
430456-001	Intel Core Solo T1350 (1.80-GHz) processor (includes thermal pad)

**Table 3-7**

**Spare Parts: Sequential Part Number Listing (*Continued*)**

<b>Spare Part Number</b>	<b>Description</b>
430459-001	Display panel
430460-001	5400-rpm, 40-GB hard drive (includes frame and connector)
430461-001	Power connector cable for use only with computer models using Intel processors
430462-001	Power connector cable for use with UMA system boards
430463-001	Fan/heat sink assembly (include thermal pads) for use on UMA system boards
430464-001	TouchPad
430465-001	Audio/infrared board (includes audio/infrared board cable)
430468-001	Top cover for use with defeatured computer models (includes TouchPad)
430470-001	Base enclosure for use with defeatured computer models
430472-001	Display Plastics Kit for use with defeatured computer models (includes display bezel and display enclosure)
430474-001	Cable Kit
430475-001	Power button board (includes power button board cable)
430904-001	Display Cable Kit for use only with computer models using Intel processors
430958-001	Wireless laser mouse
431483-001	System board for use with full-featured computer models using AMD processors
431484-001	Mobile AMD Sempron 3200+ (1.60-GHz) processor (includes thermal pad)
431844-001	System board for use with defeatured computer models using AMD processors

**Table 3-7****Spare Parts: Sequential Part Number Listing (*Continued*)**

<b>Spare Part Number</b>	<b>Description</b>
431845-001	AMD Turion ML-50 1.60-GHz processor (includes thermal pad)
431846-001	AMD Turion ML-52 1.60-GHz processor (includes thermal pad)
431849-001	Mobile AMD Sempron 3400+ (1.80-GHz) processor (includes thermal pad)
431851-001	Fan/heat sink assembly for use with computer models using AMD processors (includes thermal paste and pads)
431852-001	Modem module for use with computer models using AMD processors
431881-001	Display lid switch module
435743-001	HP Remote Control
435836-001	USB travel mouse
435837-001	AMD Turion TL-56, 1.80-GHz processor, for V3200 models
435838-001	Mobile AMD Sempron 3500+ (1.80-GHz) processor, for V3200 models
435848-001	Intel Core Duo T5600 (1.83-GHz) processor, V3200 models
435849-001	Intel Core Duo T7200 (2.00-GHz) processor, V3200 models
436238-001	Optical wired mouse
437780-001	Intel Core Duo T5500 (1.66-GHz) processor, for V3200 models
437781-001	Intel Core Duo T5200 (1.60-GHz) processor, for V3200 models
438210-001	AMD Turion 64, MK-36, 2.00-GHz processor, for V3200 models
439128-001	Remote control, ExpressCard

**Table 3-7**

**Spare Parts: Sequential Part Number Listing (*Continued*)**

439129-001	Infrared emitter																								
439130-001	TV tuner, ExpressCard																								
439131-001	TV tuner antenna																								
439254-001	Remote control - ExpressCard (EMEA)																								
440768-001	System board, dv2100 for use with full-featured models																								
440769-001	System board, dv2100 for use with defeatured models																								
440770-001	802.11b/g WLAN Mini Card module for use in the countries or regions listed below. These countries or regions are categorized as most of the world (MOW 1).																								
	<table border="0"> <tr> <td>Antigua &amp; Barbuda</td> <td>Chile</td> <td>Malaysia</td> </tr> <tr> <td>Argentina</td> <td>Dominican Rep</td> <td>Mexico</td> </tr> <tr> <td>Australia</td> <td>Guam</td> <td>New Zealand</td> </tr> <tr> <td>Bahamas</td> <td>Guatemala</td> <td>Paraguay</td> </tr> <tr> <td>Barbados</td> <td>Hong Kong</td> <td>Saudi Arabia</td> </tr> <tr> <td>Brunei</td> <td>Panama</td> <td>Taiwan</td> </tr> <tr> <td>Canada</td> <td>India</td> <td>The United States</td> </tr> <tr> <td></td> <td>Indonesia</td> <td>Vietnam</td> </tr> </table>	Antigua & Barbuda	Chile	Malaysia	Argentina	Dominican Rep	Mexico	Australia	Guam	New Zealand	Bahamas	Guatemala	Paraguay	Barbados	Hong Kong	Saudi Arabia	Brunei	Panama	Taiwan	Canada	India	The United States		Indonesia	Vietnam
Antigua & Barbuda	Chile	Malaysia																							
Argentina	Dominican Rep	Mexico																							
Australia	Guam	New Zealand																							
Bahamas	Guatemala	Paraguay																							
Barbados	Hong Kong	Saudi Arabia																							
Brunei	Panama	Taiwan																							
Canada	India	The United States																							
	Indonesia	Vietnam																							
440771-001	AMD Turion Dual Core, TL-60, 2.0-GHz processor																								
440772-001	6-cell, 2.2-Ahr battery																								
440777-001	System board, PM/G72M-Z for use with full-featured models																								
440779-001	System board, GML for use with defeatured models																								
440781-001	Intel Core Duo T2350 (1.60-GHz) processor, V3200 models																								
441317-001	Keyboard for use only with computer models using Intel processors in the United States																								
441317-021	Keyboard for in Europe																								
441317-031	Keyboard for use only with computer models using Intel processors in the United Kingdom																								
441317-041	Keyboard for use only with computer models using Intel processors in Germany																								

**Table 3-7****Spare Parts: Sequential Part Number Listing (*Continued*)**

<b>Spare Part Number</b>	<b>Description</b>
441317-051	Keyboard for use only with computer models using Intel processors in France
441317-061	Keyboard for use only with computer models using Intel processors in Italy
441317-071	Keyboard for use only with computer models using Intel processors in Spain
441317-081	Keyboard for use only with computer models using Intel processors in Denmark
441317-091	Keyboard for use only with computer models using Intel processors in Norway
441317-101	Keyboard for use in only with computer models using Intel processors Sweden/Finland
441317-111	Keyboard for use only with computer models using Intel processors in Switzerland
441317-121	Keyboard for use only with computer models using Intel processors in French Canada
441317-131	Keyboard for use only with computer models using Intel processors in Portugal
441317-141	Keyboard for use only with computer models using Intel processors in Turkey
441317-161	Keyboard for use only with computer models using Intel processors in Latin America
441317-171	Keyboard for use only with computer models using Intel processors in Saudi Arabia
441317-201	Keyboard for use only with computer models using Intel processors in Brazil
441317-251	Keyboard for use in Russia

**Table 3-7**

**Spare Parts: Sequential Part Number Listing (*Continued*)**

<b>Spare Part Number</b>	<b>Description</b>
441317-281	Keyboard for use only with computer models using Intel processors in Thailand
441317-291	Keyboard for use in Japan
441317-A41	Keyboard for use only with computer models using Intel processors in Belgium
441317-AB1	Keyboard for use only with computer models using Intel processors in Taiwan
441317-AD1	Keyboard for use only with computer models using Intel processors in Korea
441317-B31	Keyboard for use only with computer models using Intel processors internationally
441317-BB1	Keyboard for use only with computer models using Intel processors in Israel
441317-DH1	Keyboard for use Nordic countries or regions (English, Danish, Finnish, Norwegian, Swedish)
441317-DJ1	Keyboard for use in Greece
441610-001	Intel Core Duo T2060 (1.60-GHz) processor, V3200 models
441611-001	6-cell, 2.55-Ahr battery
442171-001	5400-rpm, 160-GB hard drive
446320-001	System board, 943GML for use with defeatured models

---

## Removal and Replacement Preliminaries

This chapter provides essential information for proper and safe removal and replacement service.

### 4.1 Tools Required

You will need the following tools to complete the removal and replacement procedures:

- Magnetic screwdriver
- Phillips P0 and P1 screwdrivers
- Flat-bladed screwdriver

## 4.2 Service Considerations

The following sections include some of the considerations that you should keep in mind during disassembly and assembly procedures.



As you remove each subassembly from the computer, place the subassembly (and all accompanying screws) away from the work area to prevent damage.

---

### Plastic Parts

Using excessive force during disassembly and reassembly can damage plastic parts. Use care when handling the plastic parts. Apply pressure only at the points designated in the maintenance instructions.

### Cables and Connectors



**CAUTION:** When servicing the computer, ensure that cables are placed in their proper locations during the reassembly process. Improper cable placement can damage the computer.

---

Cables must be handled with extreme care to avoid damage. Apply only the tension required to unseat or seat the cables during removal and insertion. Handle cables by the connector whenever possible. In all cases, avoid bending, twisting, or tearing cables. Ensure that cables are routed in such a way that they cannot be caught or snagged by parts being removed or replaced. Handle flex cables with extreme care; these cables tear easily.



## 4.3 Preventing Damage to Removable Drives

Removable drives are fragile components that must be handled with care. To prevent damage to the computer, damage to a removable drive, or loss of information, observe the following precautions:

- Before removing or inserting a hard drive, shut down the computer. If you are unsure whether the computer is off or in Hibernation, turn the computer on, and then shut it down through the operating system.
- Before removing a diskette drive or optical drive, ensure that a diskette or disc is not in the drive and ensure that the optical drive tray is closed.
- Before handling a drive, ensure that you are discharged of static electricity. While handling a drive, avoid touching the connector.
- Handle drives on surfaces covered with at least one inch of shock-proof foam.
- Avoid dropping drives from any height onto any surface.
- After removing a hard drive, CD-ROM drive, or a diskette drive, place it in a static-proof bag.
- Avoid exposing a hard drive to products that have magnetic fields, such as monitors or speakers.
- Avoid exposing a drive to temperature extremes or liquids.
- If a drive must be mailed, place the drive in a bubble pack mailer or other suitable form of protective packaging and label the package, "FRAGILE: Handle With Care."

## **4.4 Preventing Electrostatic Damage**

Many electronic components are sensitive to electrostatic discharge (ESD). Circuitry design and structure determine the degree of sensitivity. Networks built into many integrated circuits provide some protection, but in many cases, the discharge contains enough power to alter device parameters or melt silicon junctions.

A sudden discharge of static electricity from a finger or other conductor can destroy static-sensitive devices or microcircuitry. Often the spark is neither felt nor heard, but damage occurs.

An electronic device exposed to electrostatic discharge might not be affected at all and can work perfectly throughout a normal cycle. Or the device might function normally for a while, then degrade in the internal layers, reducing its life expectancy.

## **4.5 Packaging and Transporting Precautions**

Use the following grounding precautions when packaging and transporting equipment:

- To avoid hand contact, transport products in static-safe containers, such as tubes, bags, or boxes.
- Protect all electrostatic-sensitive parts and assemblies with conductive or approved containers or packaging.
- Keep electrostatic-sensitive parts in their containers until the parts arrive at static-free workstations.
- Place items on a grounded surface before removing items from their containers.
- Always be properly grounded when touching a sensitive component or assembly.
- Store reusable electrostatic-sensitive parts from assemblies in protective packaging or nonconductive foam.
- Use transporters and conveyors made of antistatic belts and roller bushings. Ensure that mechanized equipment used for moving materials is wired to ground and that proper materials are selected to avoid static charging. When grounding is not possible, use an ionizer to dissipate electric charges.

## 4.6 Workstation Precautions

Use the following grounding precautions at workstations:

- Cover the workstation with approved static-shielding material (refer to [Table 4-2, “Static-Shielding Materials”](#)).
- Use a wrist strap connected to a properly grounded work surface and use properly grounded tools and equipment.
- Use conductive field service tools, such as cutters, screwdrivers, and vacuums.
- When using fixtures that must directly contact dissipative surfaces, only use fixtures made of static-safe materials.
- Keep the work area free of nonconductive materials, such as ordinary plastic assembly aids and Styrofoam.
- Handle electrostatic-sensitive components, parts, and assemblies by the case or PCM laminate. Handle these items only at static-free workstations.
- Avoid contact with pins, leads, or circuitry.
- Turn off power and input signals before inserting or removing connectors or test equipment.

## 4.7 Grounding Equipment and Methods

Grounding equipment must include either a wrist strap or a foot strap at a grounded workstation.

- When seated, wear a wrist strap connected to a grounded system. Wrist straps are flexible straps with a minimum of one megohm  $\pm 10\%$  resistance in the ground cords. To provide proper ground, wear a strap snugly against the skin at all times. On grounded mats with banana-plug connectors, use alligator clips to connect a wrist strap.
- When standing, use foot straps and a grounded floor mat. Foot straps (heel, toe, or boot straps) can be used at standing workstations and are compatible with most types of shoes or boots. On conductive floors or dissipative floor mats, use foot straps on both feet with a minimum of one megohm resistance between the operator and ground. To be effective, the conductive strips must be worn in contact with the skin.

Other grounding equipment recommended for use in preventing electrostatic damage includes

- Antistatic tape.
- Antistatic smocks, aprons, and sleeve protectors.
- Conductive bins and other assembly or soldering aids.
- Nonconductive foam.
- Conductive tabletop workstations with ground cords of one megohm resistance.
- Static-dissipative tables or floor mats with hard ties to the ground.
- Field service kits.
- Static awareness labels.
- Material-handling packages.
- Nonconductive plastic bags, tubes, or boxes.
- Metal tote boxes.
- Electrostatic voltage levels and protective materials.

Table 4-1 shows how humidity affects the electrostatic voltage levels generated by different activities.

---

**Table 4-1**  
**Typical Electrostatic Voltage Levels**

---

Event	Relative Humidity		
	10%	40%	55%
Walking across carpet	35,000 V	15,000 V	7,500 V
Walking across vinyl floor	12,000 V	5,000 V	3,000 V
Motions of bench worker	6,000 V	800 V	400 V
Removing DIPS from plastic tube	2,000 V	700 V	400 V
Removing DIPS from vinyl tray	11,500 V	4,000 V	2,000 V
Removing DIPS from Styrofoam	14,500 V	5,000 V	3,500 V
Removing bubble pack from PCB	26,500 V	20,000 V	7,000 V
Packing PCBs in foam-lined box	21,000 V	11,000 V	5,000 V

---



A product can be degraded by as little as 700 V.

---

Table 4-2 lists the shielding protection provided by antistatic bags and floor mats.

---

**Table 4-2**  
**Static-Shielding Materials**

---

Material	Use	Voltage Protection Level
Antistatic plastic	Bags	1,500 V
Carbon-loaded plastic	Floor mats	7,500 V
Metallized laminate	Floor mats	5,000 V

---

---

# Removal and Replacement Procedures

This chapter provides removal and replacement procedures.

There are as many as 89 screws, in 10 different sizes, that must be removed, replaced, or loosened when servicing the computer. Make special note of each screw size and location during removal and replacement.

Refer to [Appendix A, "Screw Listing,"](#) for detailed information on screw sizes, locations, and usage.

## 5.1 Serial Number

Report the computer serial number to HP when requesting information or ordering spare parts. The serial number is located on the bottom of the computer.



*Serial Number Location*


## 5.2 Disassembly Sequence Chart

Use the chart below to determine the section number to be referenced when removing computer components.

---

**Disassembly Sequence Chart**

---

Section	Description	# of Screws Removed
5.3	<a href="#">Preparing the Computer for Disassembly</a>	
	Battery	0
5.4	<a href="#">Hard Drive</a>	2 loosened to remove the hard drive cover 2 removed to remove the hard drive 4 removed to disassemble the hard drive
5.5	<a href="#">RTC Battery</a>	0
5.6	<a href="#">Computer Feet</a>	0
5.7	<a href="#">Memory Module</a>	2 loosened to remove the memory module compartment cover
5.8	<a href="#">Mini Card Module</a>	1 loosened to remove the Mini Card compartment cover 2 removed to remove the Mini Card
	 To prevent an unresponsive system and the display of a warning message, install only a Mini Card device authorized for use in your computer by the governmental agency that regulates wireless devices in your country or region. If you install a device and then receive a warning message, remove the device to restore computer functionality. Then contact technical support by selecting <b>Start &gt; Help and Support &gt; Contact support..</b>	
5.9	<a href="#">Optical Drive</a>	1 to remove the optical drive 2 to remove the optical drive bracket

---



---

**Disassembly Sequence Chart (Continued)**

Section	Description	# of Screws Removed
5.10	Keyboard	3
5.11	Switch Cover	3 to remove the switch cover 2 to remove the power button board
5.12	Display Assembly	6
	Display bezel	8
	Display inverter	4
	Display hinges	4
	Display lid switch module	1
	Display panel	0
	Wireless antenna transceivers	2
	Microphones	0
5.13	Top Cover	16
5.14	TouchPad	7
5.15	Wireless Switch Board	2
5.16	Modem Module	2
5.17	Audio/Infrared Board	1
5.18	Bluetooth Module	0
5.19	USB Board	1
5.20	Speaker Assembly	4
5.21	System Board	2
5.22	ExpressCard Assembly	4
5.23	Fan/Heat Sink Assembly	5 loosened
5.24	Processor	1 loosened

---

## 5.3 Preparing the Computer for Disassembly

Before you begin any removal or installation procedures:

1. Shut down the computer. If you are unsure whether the computer is off or in Hibernation, turn the computer on, and then shut it down through the operating system.
2. Disconnect all external devices connected to the computer.
3. Disconnect the power cord.

---

### Battery Spare Part Number Information

---

12-cell, 8.8-Ahr	417067-001
6-cell, 4.0-Ahr	417066-001
6-cell, 2.55-Ahr	441611-001
6-cell, 2.2-Ahr	440772-001

---

4. Remove the battery by following these steps:
  - a. Turn the computer upside down with the front panel toward you.

- b. Slide and hold the battery release latch **1** to the left.  
(The front edge of the battery disengages from the computer.)
- c. Lift the front edge of the battery **2** up and swing it back.
- d. Remove the battery.



### *Removing the Battery*

Reverse the above procedure to install the battery.

## 5.4 Hard Drive

---

### Hard Drive Spare Part Number Information

---

For use only with computer models using Intel processors:

5400-rpm, 160-GB	442171-001
5400-rpm, 120-GB	417059-001

---

For use with all computer models:

5400-rpm, 100-GB	417058-001
5400-rpm, 80-GB	417057-001
5400-rpm, 60-GB	417056-001
5400-rpm, 40-GB	430460-001

---

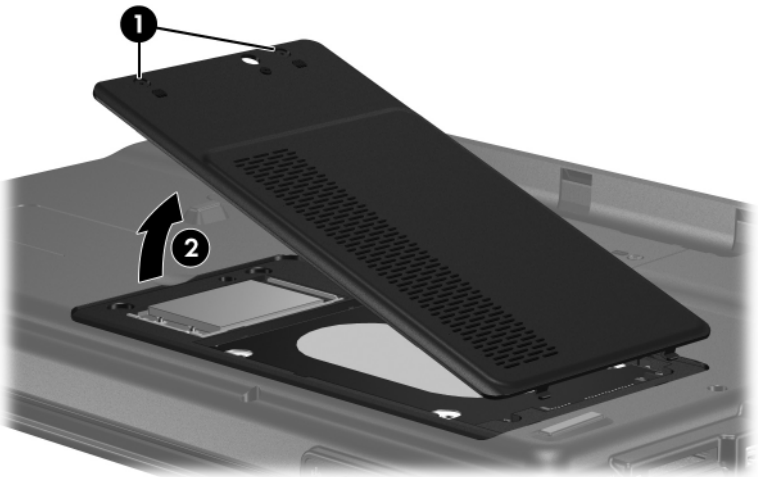
1. Prepare the computer for disassembly (refer to [Section 5.3](#)).

2. Loosen the two Phillips PM2.0×5.0 screws ❶ that secure the hard drive cover to the computer.
3. Lift the left side of the cover ❷ and swing it to the right.
4. Remove the hard drive cover.



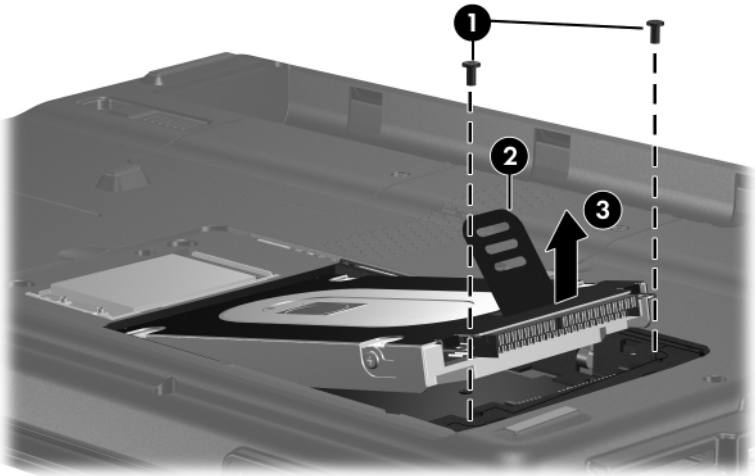
The hard drive cover is included in the Plastics Kit, spare part number 417074-001.

---



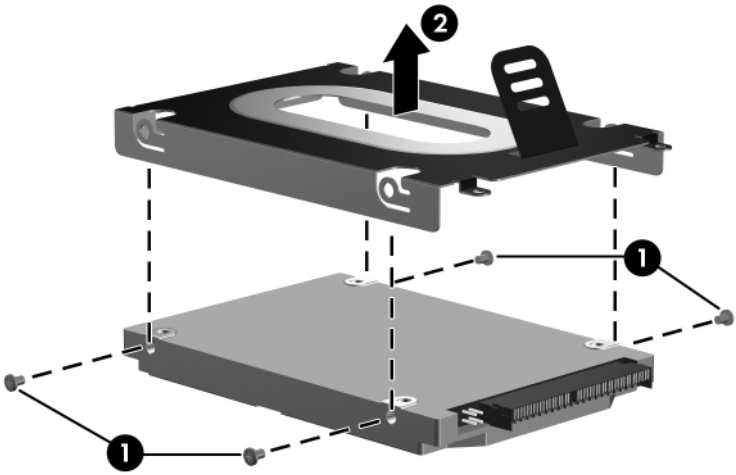
*Removing the Hard Drive Cover*

5. Remove the two black Phillips PM2.5×5.0 screws **1** that secure the hard drive to the computer.
6. Use the mylar tab **2** to lift the hard drive **3** until it disconnects from the computer.
7. Remove the hard drive from the hard drive bay.



*Removing the Hard Drive*

8. Remove the four Phillips PM3.0×3.0 screws ❶ that secure the hard drive frame to the hard drive.
9. Lift the frame ❷ straight up to remove it from the hard drive.



*Removing the Hard Drive Frame and Connector*

Reverse the above procedure to install and reassemble the hard drive.

## 5.5 RTC Battery

---

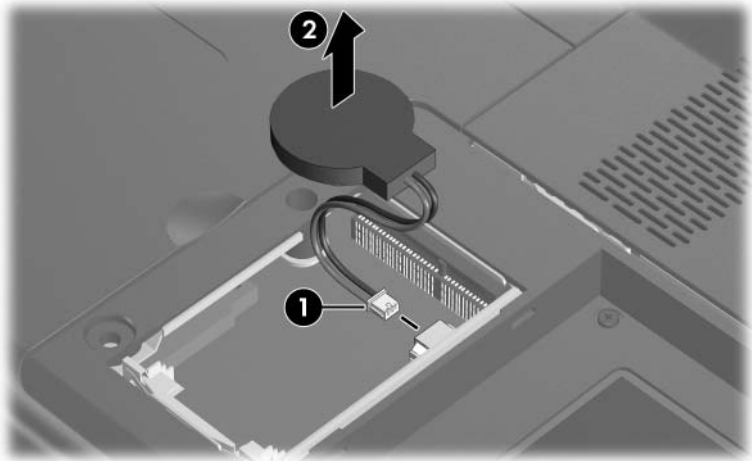
### RTC Battery Spare Part Number Information

---

RTC battery	417076-001
-------------	------------

---

1. Prepare the computer for disassembly (refer to [Section 5.3](#)).
2. Remove the hard drive cover ([Section 5.4](#)).
3. Disconnect the RTC battery cable ❶ from the system board.
4. Remove the RTC battery ❷.

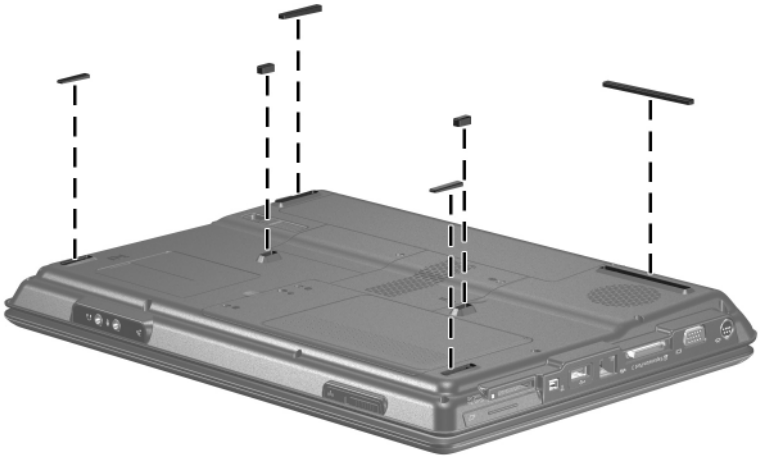


*Replacing the RTC Battery*



## 5.6 Computer Feet

The computer feet are adhesive-backed rubber pads. The feet are included in the Rubber Feet Kit, spare part number 417096-001. The feet attach to the base enclosure in the locations illustrated below.



*Replacing the Computer Feet*

## 5.7 Memory Module

---

### Memory Module Spare Part Number Information

---

PC2-5300, 667-MHz

1024-MB

417055-001

512-MB

417054-001

256-MB

417503-001

---

PC2-4200, 533-MHz

1024-MB

417052-001

512-MB

417051-001

256-MB

417050-001

---

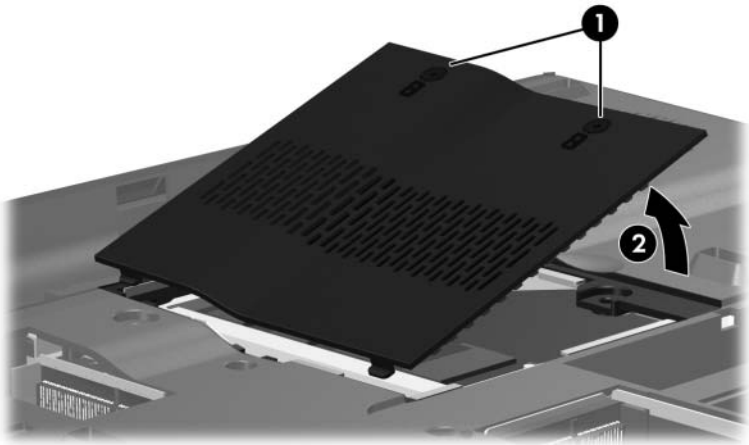
1. Prepare the computer for disassembly (refer to [Section 5.3](#)).

2. Loosen the two Phillips PM2.0×5.0 screws ❶ that secure the memory module compartment cover to the computer.
3. Lift the right edge of the memory module compartment cover ❷, and then swing it to the left.
4. Remove the memory module compartment cover.



The memory module compartment cover is included in the Plastics Kit, spare part number 417074-001.

---



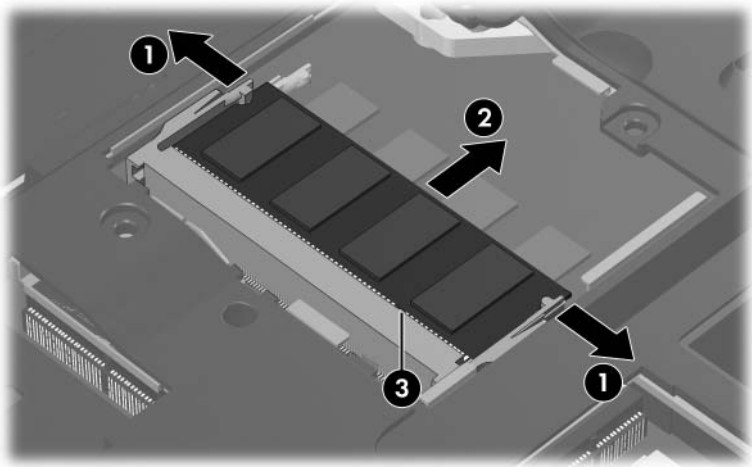
*Removing the Memory Module Compartment Cover*

5. Spread the retaining tabs **1** on each side of the memory module socket to release the memory module. (The edge of the module opposite the socket rises away from the computer.)
6. Slide the module **2** away from the socket at an angle.



Memory modules are designed with a notch **3** to prevent incorrect installation into the memory module socket.

---



### *Removing the Memory Module*

Reverse the above procedure to install a memory module.

## 5.8 Mini Card Module

### Mini Card Module Spare Part Number Information

For use with computer models using Intel processors:

- 802.11b/g WLAN module for use in the MOW 1 countries or regions listed below: 409407-001

Antigua & Barbuda	Canada	Panama	Paraguay
Argentina	Chile	India	Saudi Arabia
Australia	Dominican Republic	Indonesia	Taiwan
Bahamas	Guam	Malaysia	The United States
Barbados	Guatemala	Mexico	Vietnam
Brunei	Hong Kong	New Zealand	

- 802.11b/g WLAN module for use in the MOW 2 countries or regions listed below: 409407-002

Aruba	Egypt	The Philippines	The Netherlands
Austria	El Salvador	Poland	Norway
Azerbaijan	Estonia	Portugal	Oman
Bahrain	Finland	Romania	Slovenia
Belgium	France	Russia	South Africa
Bermuda	Georgia	Serbia and Montenegro	Spain
Bulgaria	Germany	Singapore	Sri Lanka
Cayman Islands	Greece	Slovakia	Sweden
Columbia	Hungary	Liechtenstein	Switzerland
Croatia	Iceland	Lithuania	Turkey
Cyprus	Ireland	Luxembourg	The United Kingdom
The Czech Republic	Italy	Malta	Uzbekistan
Denmark	Latvia	Monaco	
	Lebanon		

## Mini Card Module Spare Part Number Information (Continued)

- 802.11a/b/g WLAN module for use in the ROW countries or regions listed below: 409497-001

China	Honduras	Qatar	Uruguay
Ecuador	Pakistan	South Korea	Venezuela
Haiti	Peru		

For use with computer models using AMD processors:

- 802.11a/b/g LJ WLAN module for use in the United States and Canada 417377-001

- 802.11a/b/g LJ WLAN module for use in the ROW countries or regions listed below: 417377-002

China	Honduras	Qatar	Uruguay
Ecuador	Pakistan	South Korea	Venezuela
Haiti	Peru		

- 802.11a/b/g HS WLAN module for use in the United States and Canada 417376-001

- 802.11a/b/g HS WLAN module for use in the ROW countries or regions listed below: 417376-002

China	Honduras	Qatar	Uruguay
Ecuador	Pakistan	South Korea	Venezuela
Haiti	Peru		

- 802.11b/g WLAN Mini Card module for use in Costa Rica, Israel, Kuwait, Thailand, United Arab Emirates, Ukraine. 430453-001

- 802.11b/g WLAN Mini Card module for use in the countries or regions listed below. These countries or regions are categorized as most of the world (MOW 1). 440770-001

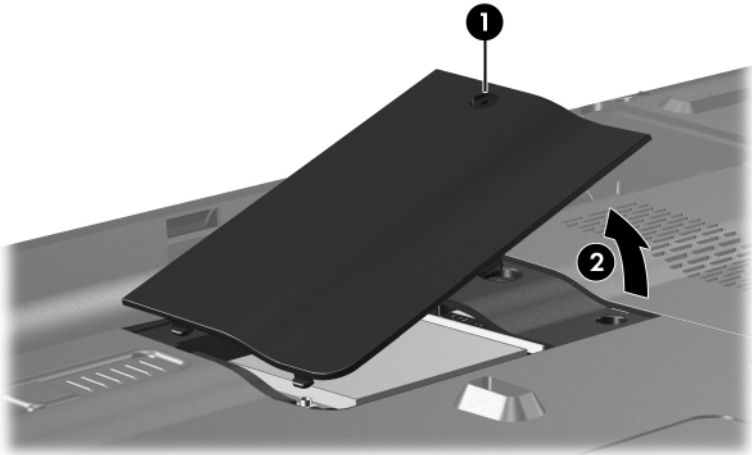
Antigua & Barbuda	Canada	Panama	Paraguay
Argentina	Chile	India	Saudi Arabia
Australia	Dominican Republic	Indonesia	Taiwan
Bahamas	Guam	Malaysia	The United States
Barbados	Guatemala	Mexico	Vietnam
Brunei	Hong Kong	New Zealand	

1. Prepare the computer for disassembly ([Section 5.3](#)).
2. Loosen the Phillips PM2.0x5.0 screw **1** that secures the Mini Card compartment cover to the computer.
3. Lift the right edge of the Mini Card compartment cover **2**, and then swing it to the left.
4. Remove the Mini Card compartment cover.



The Mini Card compartment cover is included in the Plastics Kit, spare part number 417074-001.

---



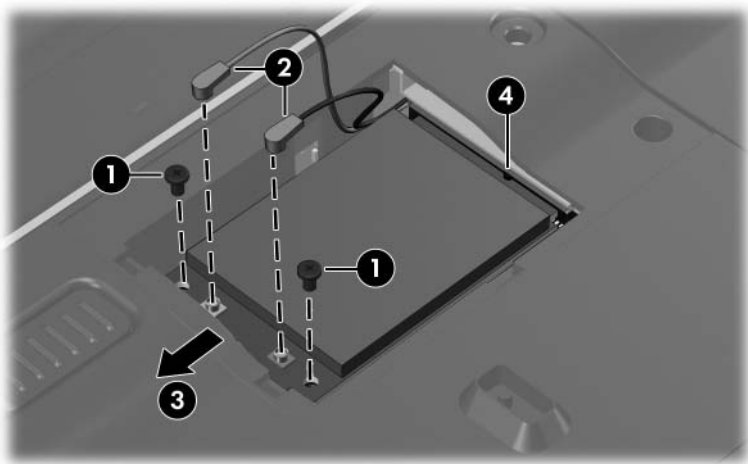
*Removing the Mini Card Compartment Cover*

5. Make note of which wireless antenna cable is attached to which antenna clip on the Mini Card module before disconnecting the cables, then disconnect the cables ❶ from the module.
6. Remove the two Phillips PM2.0×3.0 screws ❷ that secure the Mini Card module to the computer. (The edge of the module opposite the socket rises away from the computer).
7. Remove the module ❸ by pulling it away from the socket at an angle.



Mini Card WLAN modules are designed with a notch ❹ to prevent incorrect installation into the Mini Card module socket.

---



### Removing a Mini Card Module

Reverse the above procedure to install a Mini Card module.

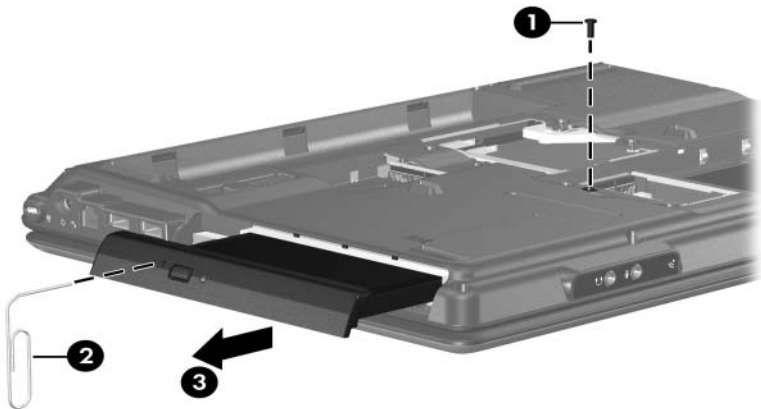


## 5.9 Optical Drive

### Optical Drive Spare Part Number Information

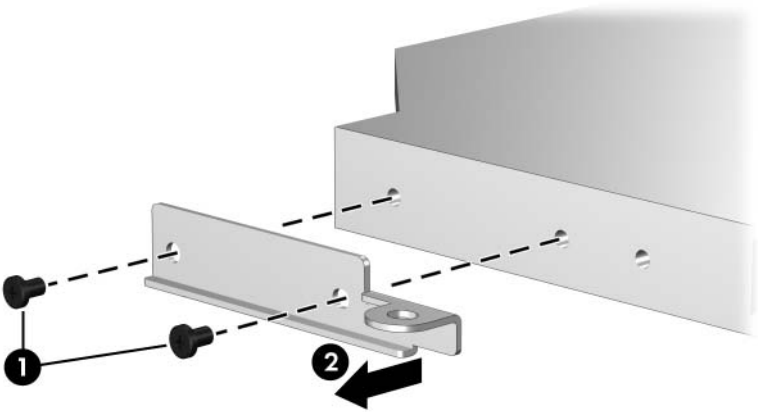
DVD/CD-RW Combo Drive	417063-001
DVD±RW/R and CD-RW Double-Layer Combo Drive	417064-001
DVD±RW/R and CD-RW Double-Layer Combo Drive with LightScribe	417065-001

1. Prepare the computer for disassembly ([Section 5.3](#)).
2. Remove the Phillips PM2.5×7.0 screw ❶ that secures the optical drive to the computer.
3. Insert a thin tool, such as a paper clip, into the media tray release hole ❷. (The optical drive media tray releases from the optical drive.)
4. Use the media tray frame to slide the optical drive ❸ to the left.
5. Remove the optical drive.



Removing the Optical Drive

6. Position the optical drive with the optical drive bracket toward you.
7. Remove the two Phillips PM2.0×3.0 screws ❶ that secure the optical drive bracket to the optical drive.
8. Remove the optical drive ❷.



#### *Removing the Optical Drive Bracket*

Reverse the above procedure to reassemble and install the optical drive.

## 5.10 Keyboard

### Keyboard Spare Part Number Information

For use with all computer models:

Denmark	441317-081	Korea	441317-AD1
France	441317-051	Latin America	441317-161
French Canada	441317-121	Norway	441317-091
Germany	441317-041	Spain	441317-071
International	441317-B31	Switzerland	441317-111
Israel	441317-BB1	The United Kingdom	441317-031
Italy	441317-061	The United States	441317-001

For use only with computer models using Intel processors:

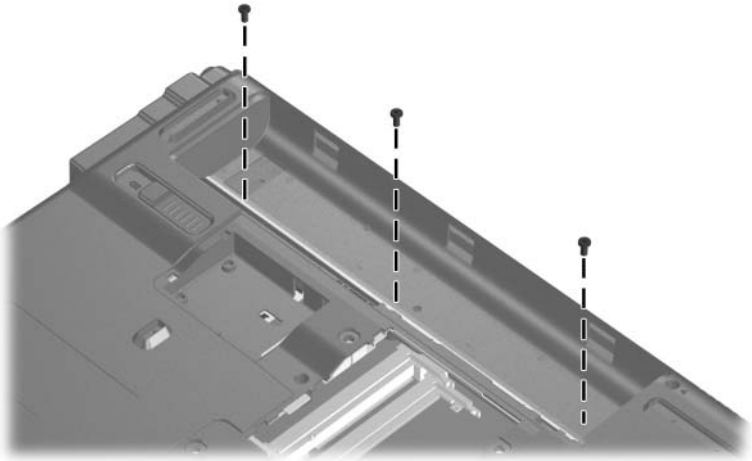
Belgium	441317-A41	Russia	441317-251
Brazil	441317-201	Saudi Arabia	441317-171
European	441317-021	Sweden/Finland	441317-101
Greece	441317-DJ1	Taiwan	441317-AB1
Japan	441317-291	Thailand	441317-281
Nordic	441317-DH1	Turkey	441317-141
Portugal	441317-131		

For use only with computer models using AMD processors:

Denmark	417069-081	Latin America	417069-161
France	417069-051	Norway	417069-091
French Canada	417069-121	Spain	417069-071
Germany	417069-041	Sweden/Finland	417069-031
International	417069-B31	Thailand	417069-281
Italy	417069-061	The United States	417069-001
Korea	417069-AD1		

1. Prepare the computer for disassembly ([Section 5.3](#)).

2. Remove the three Phillips PM2.5×7.0 screws that secure the keyboard to the computer.



*Removing the Keyboard Screws*

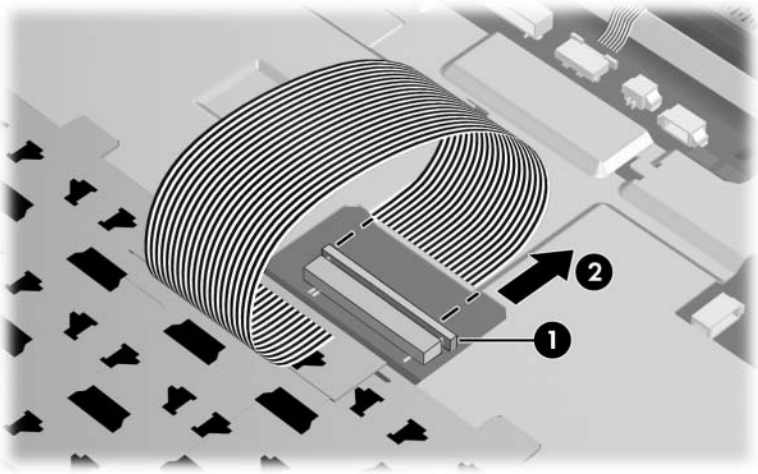
3. Turn the computer display-side up with the front panel toward you.
4. Open the computer as far as possible.

5. Slide the keyboard **1** back to release the tabs on the front of the keyboard from the top cover.
6. Lift the rear edge of the keyboard **2** and swing it forward until it rests on the palm rest.



*Releasing the Keyboard*

7. Release the zero insertion force (ZIF) connector **1** to which the keyboard cable is connected and disconnect the keyboard cable **2** from the system board.



*Disconnecting the Keyboard Cable*

8. Remove the keyboard.  
Reverse the above procedure to install the keyboard.

## 5.11 Switch Cover

---

### Switch Cover Spare Part Number Information

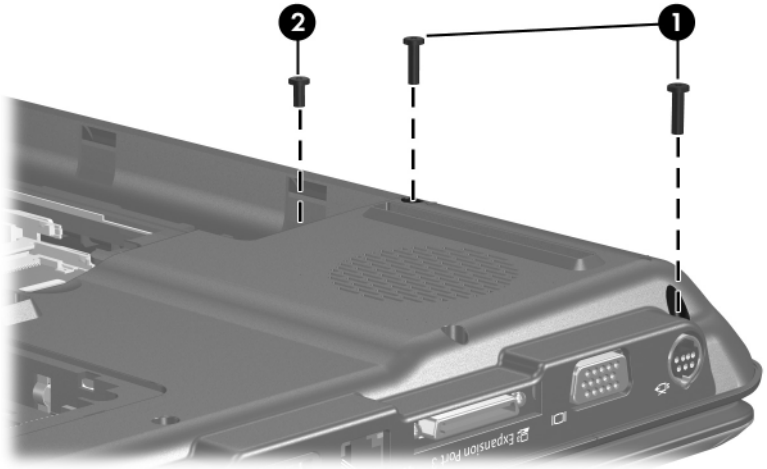
---

For use with full-featured computer models	417077-001
For use with defeatured computer models	417078-001

---

1. Prepare the computer for disassembly ([Section 5.3](#)).
2. Remove the keyboard ([Section 5.10](#)).
3. Close the computer.

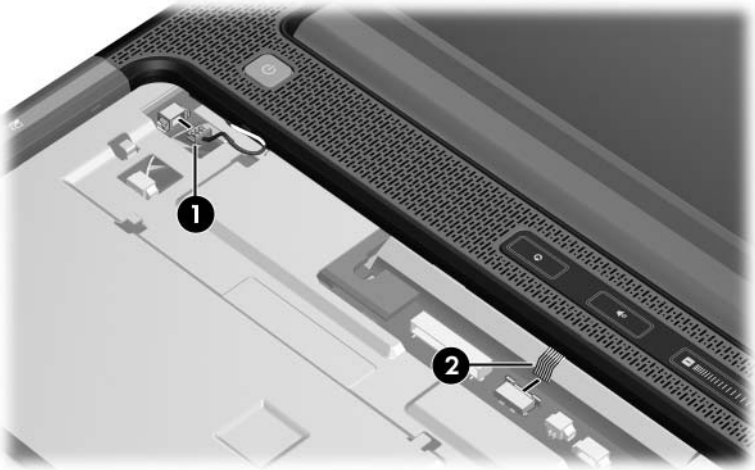
4. Turn the computer upside down with the front panel toward you.
5. Remove the two Phillips PM2.5×9.0 screws **1** and the silver Phillips PM2.5×5.0 screw **2** that secure the switch cover to the computer.



*Removing the Switch Cover Screws*

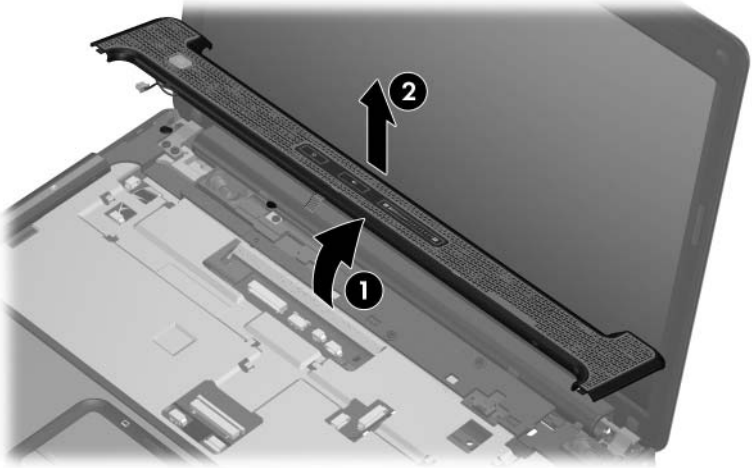


6. Turn the computer display-side up with the front toward you.
7. Open the computer as far as possible.
8. Disconnect the power button board cable ❶ from the system board.
9. Release the ZIF connector to which the LED board cable ❷ is connected and disconnect the cable from the system board.



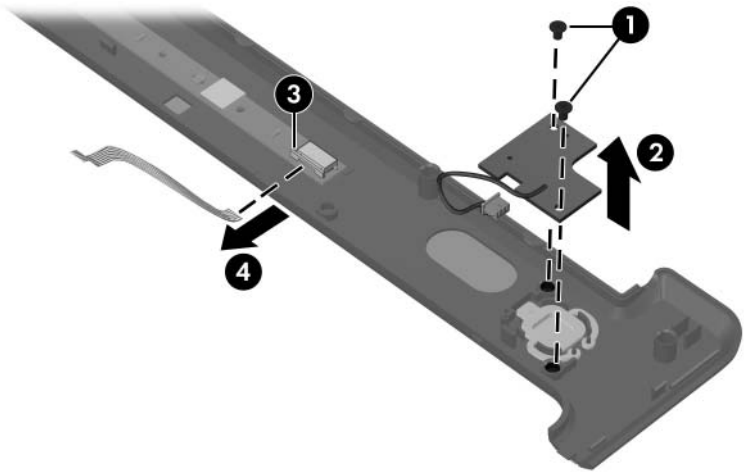
*Disconnecting the Switch Cover Cables*

10. Lift the front edge of the switch cover **1** to disengage it from the computer.
11. Remove the switch cover **2**.



*Removing the Switch Cover*

12. If it is necessary to replace the power button board, remove the two Phillips PM2.0×3.0 screws **1** that secure the board to the switch cover, and then remove the power button board **2**.
13. If it is necessary to replace the LED board cable, release the ZIF connector **3** to which the cable is connected and disconnect the cable **4** from the LED board.



*Removing the Power Button Board and LED Board Cable*

Reverse the above procedure to install the switch cover.

## 5.12 Display Assembly

---

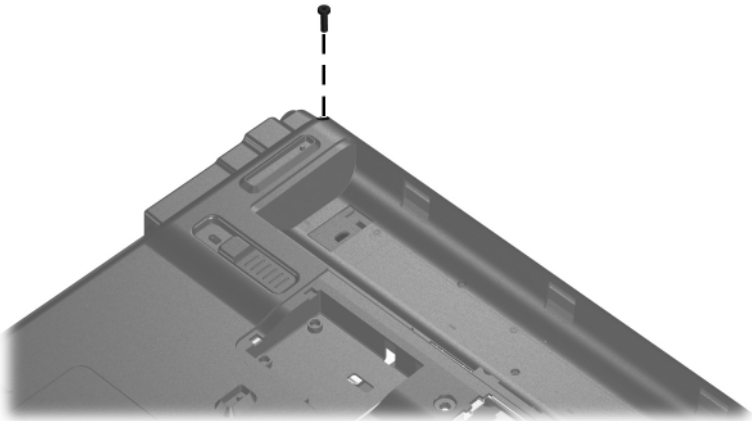
### Display Assembly Spare Part Number Information

---

14.0-inch, WXGA display assembly (includes wireless antenna transceivers and cables) 417049-001

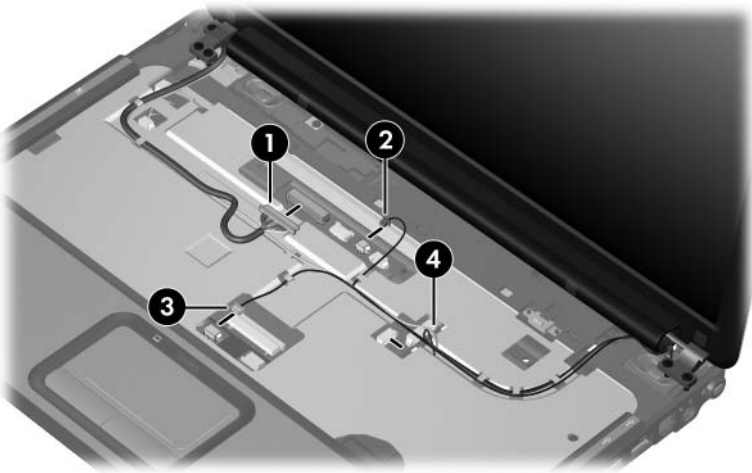
---

1. Prepare the computer for disassembly ([Section 5.3](#)).
2. Disconnect the Mini Card WLAN antenna cables from the Mini Card WLAN module ([Section 5.8](#)).
3. Remove the Phillips PM2.5×9.0 screw that secures the display assembly to the computer.



*Removing the Display Screw*

4. Turn the computer display-side up with the front toward you.
5. Open the display as far as possible.
6. Disconnect the following cables:
  - ❶ Display cable
  - ❷ Display lid switch module cable
  - ❸ Microphone cable
7. Remove the wireless antenna cables ❹ from the hole in the system board.



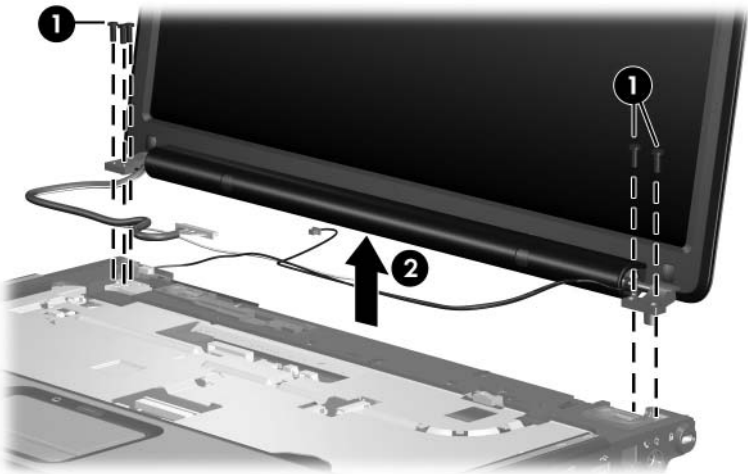
*Disconnecting the Display and Microphone Cables and Removing the Wireless Antenna Cables*



**CAUTION:** Support the display assembly when removing the following screws. Failure to support the display assembly can result in damage to the display assembly and other computer components.

---

8. Remove the five Phillips PM2.5×7.0 screws ❶ that secure the display assembly to the computer.
9. Remove the display assembly ❷.



*Removing the Display Assembly*

10. Remove the following:

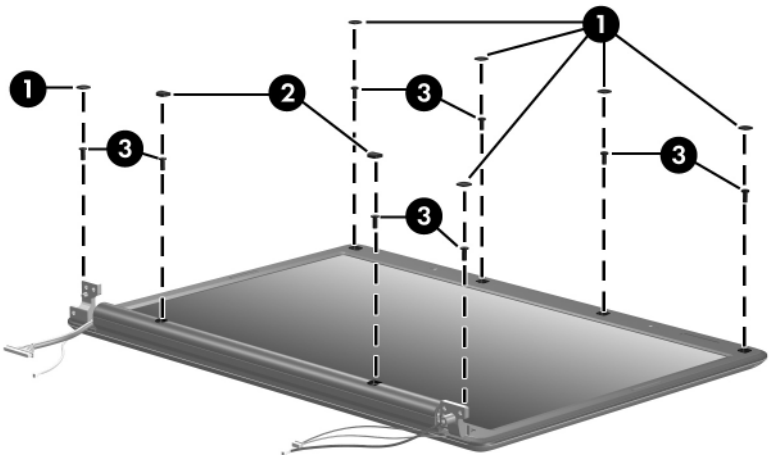
- ❶ Six rubber screw covers
- ❷ Two rubber screw covers
- ❸ Eight Phillips PM2.5×7.0 screws



There are two different sizes of display bezel rubber screw covers. The thicker covers ❷ should be installed in the bottom center screw holes.

The display rubber screw covers are included in the Display Screw Kit, spare part number 417105-001.

---



*Removing the Display Bezel Screws*

---

## Display Assembly Subcomponents

### Spare Part Number Information

---

#### Display Plastics Kit

For use with full-featured computer models

430472-001

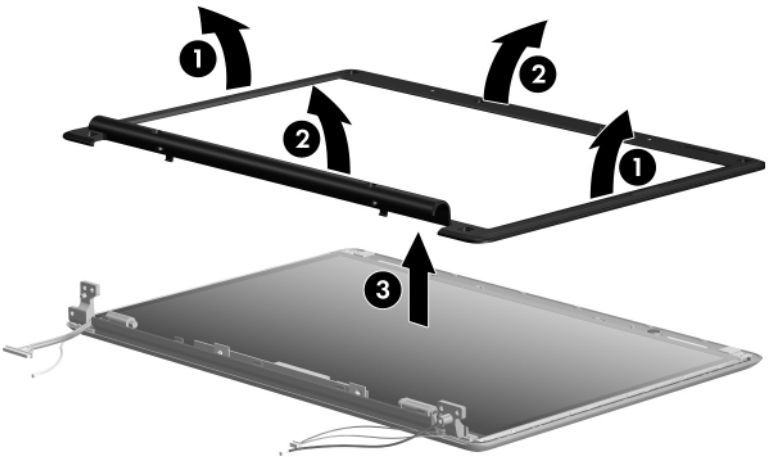
For use with defeatured computer models

417101-001

Includes:

- Display bezel
  - Display enclosure
- 

11. Flex the insides edges of the left and right sides **1** and the top and bottom sides **2** of the display bezel until the bezel disengages from the display enclosure.
12. Remove the display bezel **3**.



*Removing the Display Bezel*



---

## Display Assembly Subcomponents

### Spare Part Number Information

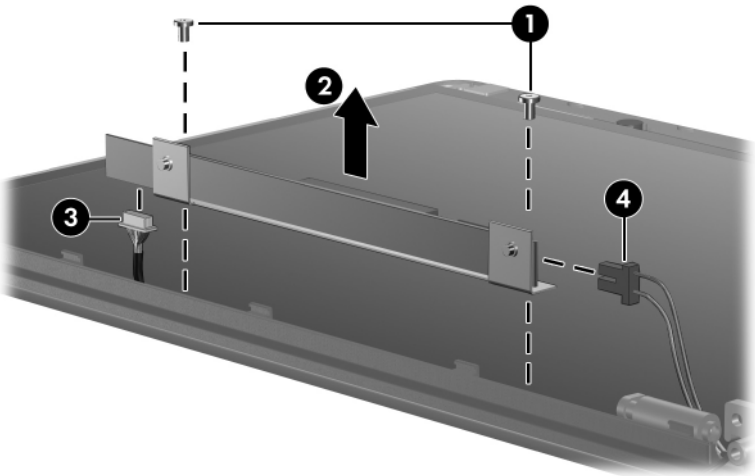
---

Display inverter

417097-001

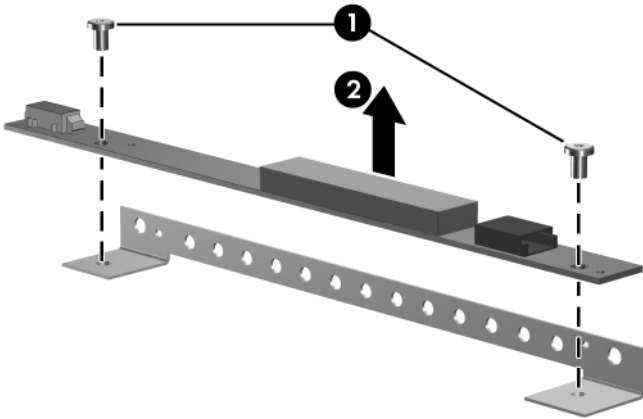
---

13. Remove the two black Phillips PM2.5×5.0 screws **1** that secure the inverter to the display enclosure.
14. Remove the inverter **2** from the display enclosure.
15. Disconnect the display cable **3** and the backlight cable **4** from the display inverter.



*Removing the Display Inverter*

16. Remove the two black Phillips PM2.5×5.0 screws ❶ that secure the inverter to the inverter bracket.
17. Remove the inverter ❷ from the bracket.



*Removing the Display Inverter*

---

## Display Assembly Subcomponents

### Spare Part Number Information

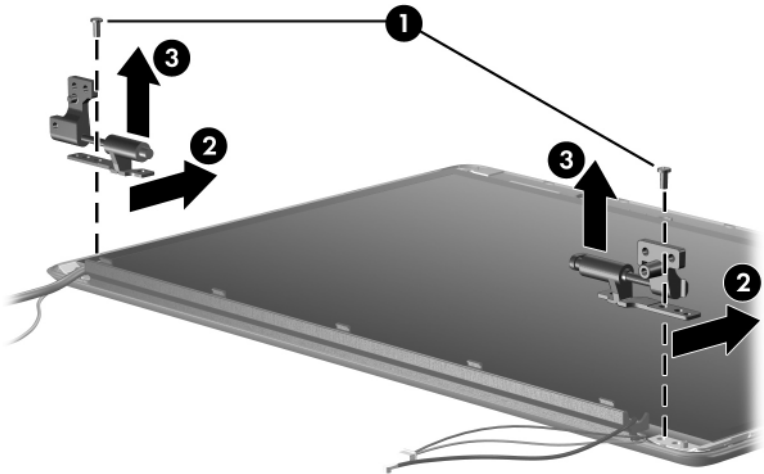
---

Display Hinge Kit

417103-001

---

18. Remove the black Phillips PM2.5x5.0 screw **1** that secures each hinge to the display enclosure.
19. Slide the hinges **2** back to release them from the display enclosure.
20. Remove the display hinges **3**.



*Removing the Display Hinges*

---

## Display Assembly Subcomponents

### Spare Part Number Information

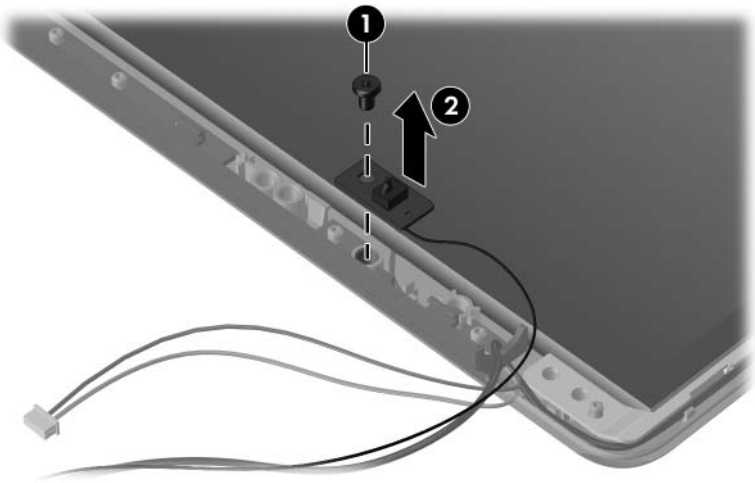
---

Display lid switch module

431881-001

---

21. Remove the black Phillips PM2.5×5.0 screw ❶ that secures the display lid switch module to the display enclosure.
22. Remove the display lid switch module ❷.



*Removing the Display Lid Switch Module*

---

## Display Assembly Subcomponents

### Spare Part Number Information

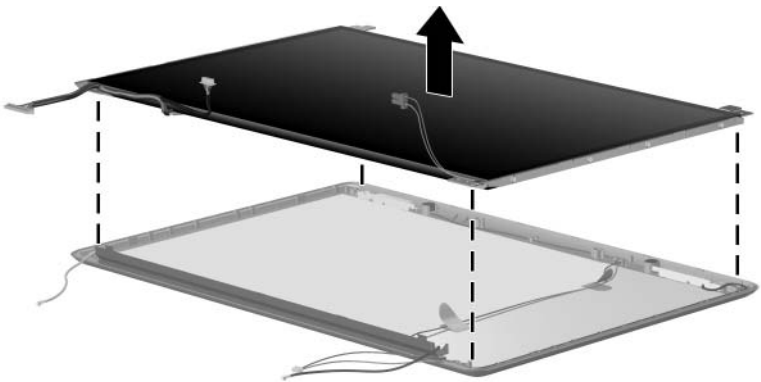
---

14.0-inch, WXGA, SVA display panel with BrightView

430459-001

---

23. Remove the display panel from the display enclosure.



*Removing the Display Panel*

---

## Display Assembly Subcomponents

### Spare Part Number Information

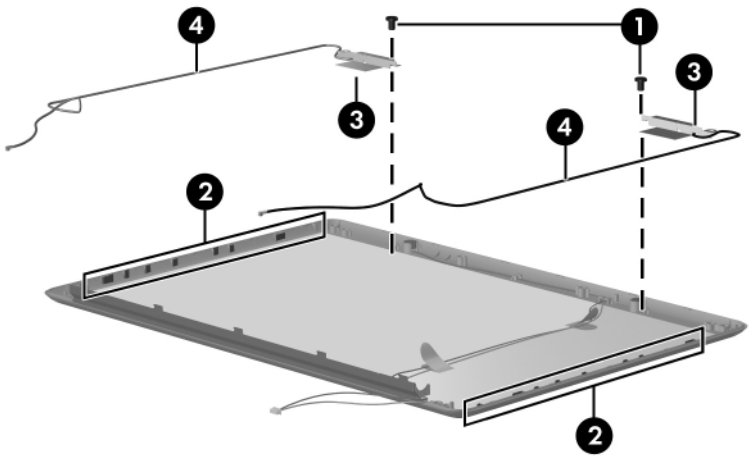
---

Wireless antenna transceivers and cables

417107-001

---

24. If it is necessary to replace the wireless transceivers and cables, remove the two Phillips PM2.5×4.0 screws ❶ that secure the left and right transceivers to the display enclosure.
25. Remove the wireless antenna cables from the clips ❷ built into the left and right sides of the display enclosure.
26. Detach the wireless antenna transceivers ❸ from the display enclosure.
27. Remove the wireless antenna cables ❹.



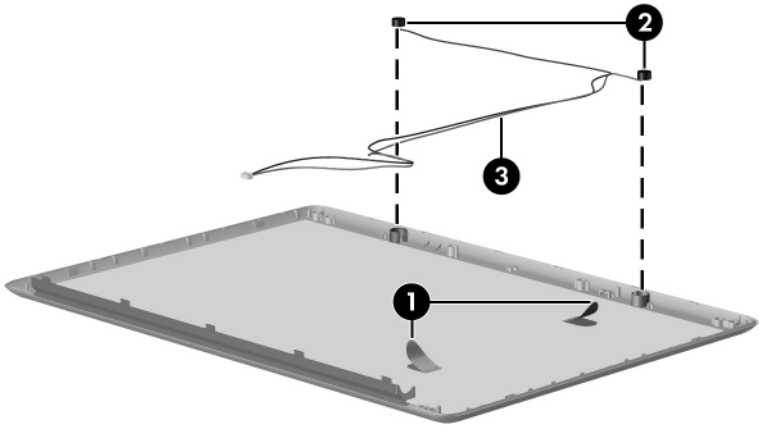
*Removing the Wireless Antenna Transceivers and Cables*



The microphone and cable are included in the Display Cable Kit, spare part number 430904-001.

---

28. If it is necessary to replace the microphones and cables, release the retention tabs **1** built in to the display enclosure lining that secure the microphones and cables to the display enclosure.
29. Remove the microphones from the clips **2** in the display enclosure.
30. Remove the microphone cables **3** from the display enclosure.



### *Removing the Microphones*

Reverse the above procedure to reassemble and install the display assembly

## 5.13 Top Cover

---

### Top Cover Spare Part Number Information

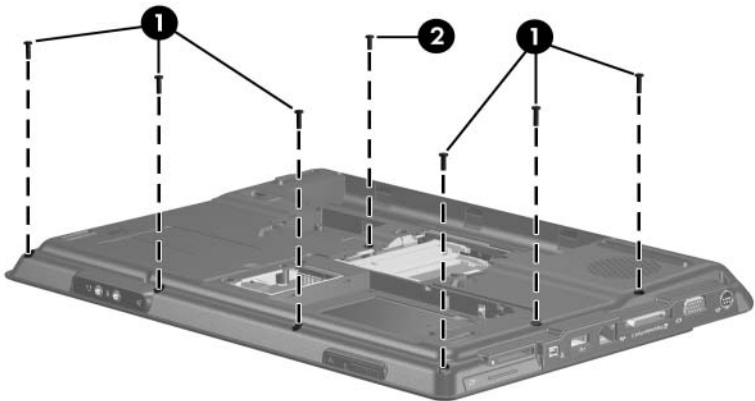
---

Top cover (include TouchPad)

417091-001

---

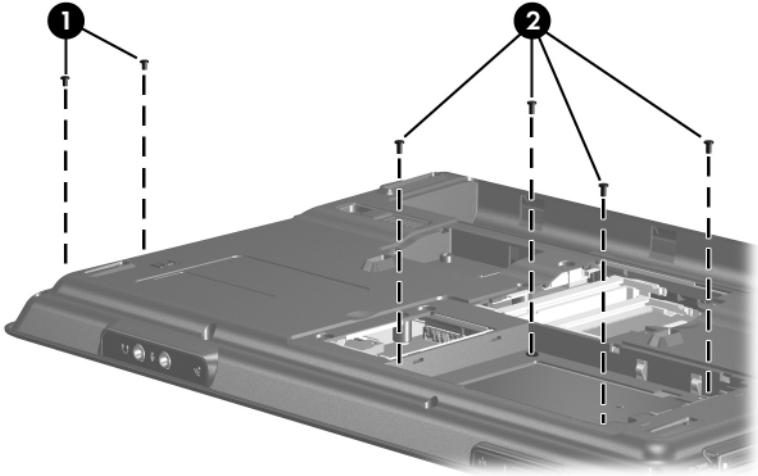
1. Prepare the computer for disassembly ([Section 5.3](#)) and remove the following components:
  - ❑ Hard drive ([Section 5.4](#))
  - ❑ Mini Card compartment cover ([Section 5.8](#))
  - ❑ Optical drive ([Section 5.9](#))
  - ❑ Keyboard ([Section 5.10](#))
  - ❑ Switch cover ([Section 5.11](#))
  - ❑ Display assembly ([Section 5.12](#))
2. Remove the six Phillips PM2.5×9.0 screws **1** and the Phillips PM2.5×7.0 screw **2** that secure the top cover to the computer.



Removing the Top Cover Screws, Part 1

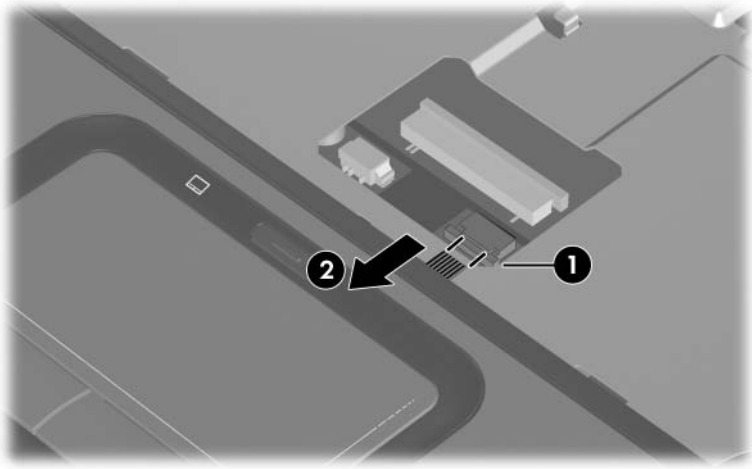


3. Remove the two Phillips PM2.0×3.0 screws ❶ and the four Phillips PM2.0×4.0 screws ❷ that secure the top cover to the computer.



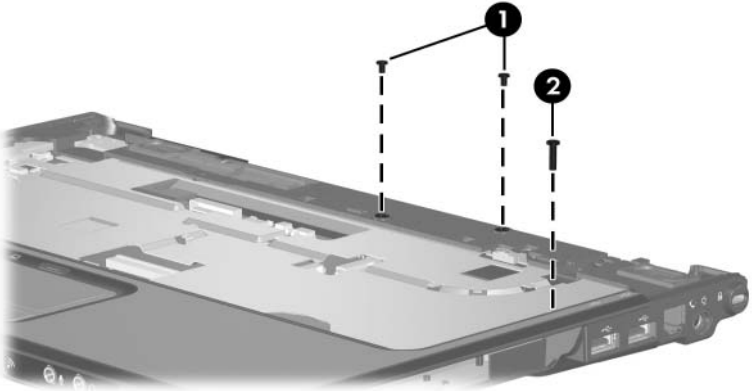
*Removing the Top Cover Screws, Part 2*

4. Turn the computer right-side up with the front toward you.
5. Release the ZIF connector **1** to which the TouchPad cable is connected and disconnect the cable **2** from the system board.



*Disconnecting the TouchPad Cable*

6. Remove the two Phillips PM2.0×4.0 screws ❶ and the Phillips PM2.5×9.0 screw ❷ that secure the top cover to the computer.



*Removing the Top Cover Screws, Part 3*

7. Lift up the front edge of the top cover and remove it.



*Removing the Top Cover*

Reverse the above procedure to install the top cover.

## 5.14 TouchPad

---

### TouchPad Spare Part Number Information

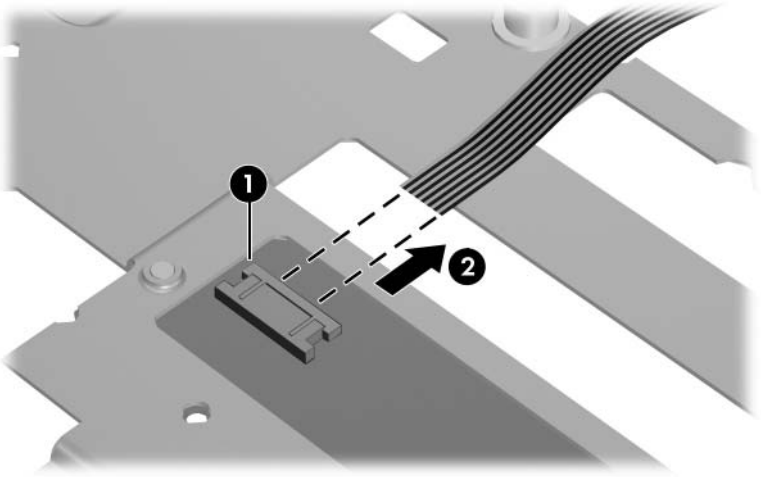
---

TouchPad	430464-001
TouchPad bracket	
TouchPad cable	417082-001

---

1. Prepare the computer for disassembly ([Section 5.3](#)) and remove the following components:
  - Hard drive ([Section 5.4](#))
  - Mini Card compartment cover ([Section 5.8](#))
  - Optical drive ([Section 5.9](#))
  - Keyboard ([Section 5.10](#))
  - Switch cover ([Section 5.11](#))
  - Display assembly ([Section 5.12](#))
  - Top cover ([Section 5.13](#))

2. Release the ZIF connector **1** to which the TouchPad cable is connected and disconnect the cable **2** from the TouchPad board.



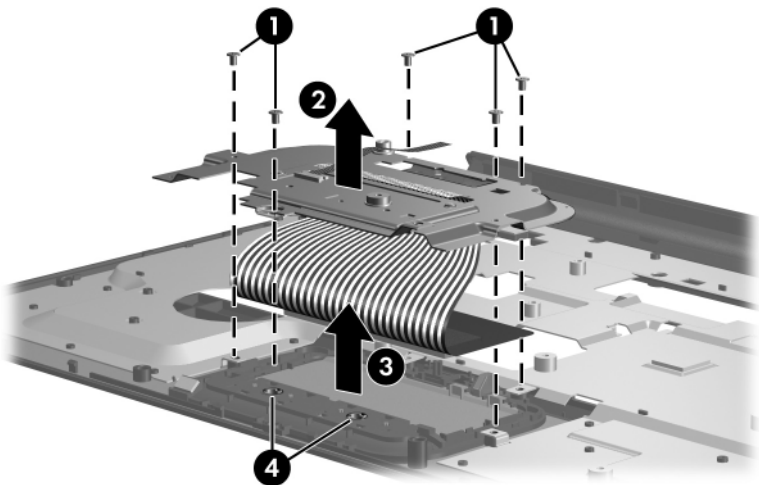
*Removing the TouchPad Cable*

3. Remove the five Phillips PM2.0×3.0 screws **1** that secure the TouchPad bracket to the top cover.
4. Remove the TouchPad bracket **2** and TouchPad board **3** from the top cover.



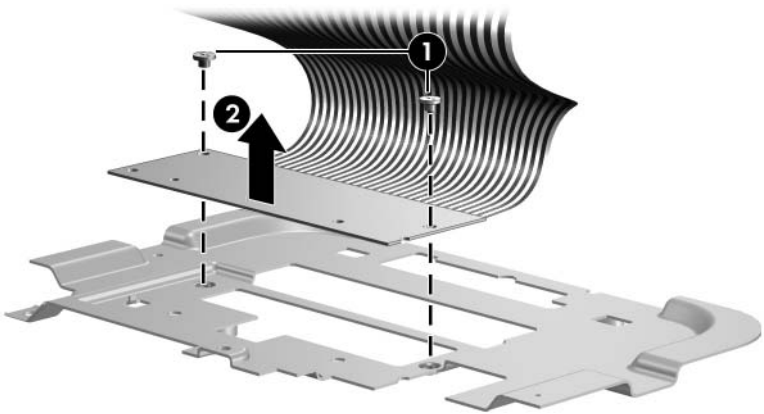
When removing the TouchPad bracket and TouchPad board, make note of the location of the TouchPad button actuators **4**.

---



*Removing the TouchPad*

5. Remove the two Phillips PM2.0×2.0 screws **1** that secure the TouchPad board to the TouchPad bracket.
6. Remove the TouchPad board **2** from the TouchPad bracket.



### *Removing the TouchPad Board*

Reverse the above procedure to install the TouchPad.

## 5.15 Wireless Switch Board

---

### Wireless Switch Board Spare Part Number Information

---

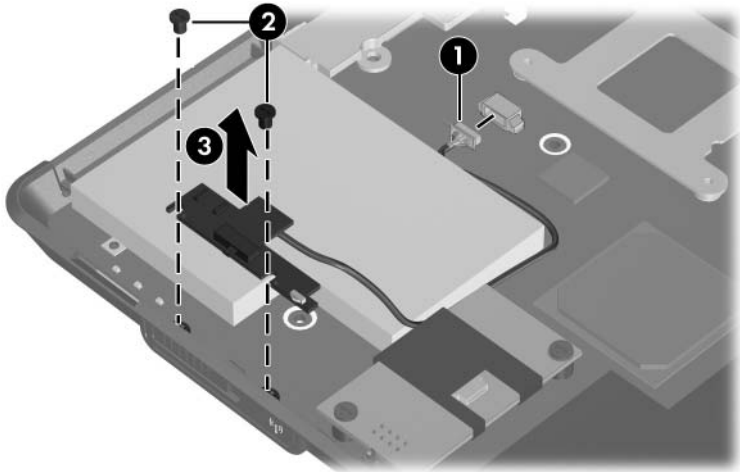
Wireless switch board (includes wireless switch board cable)	417092-001
--	------------

---

1. Prepare the computer for disassembly ([Section 5.3](#)) and remove the following components:
  - ❑ Hard drive ([Section 5.4](#))
  - ❑ Mini Card compartment cover ([Section 5.8](#))
  - ❑ Optical drive ([Section 5.9](#))
  - ❑ Keyboard ([Section 5.10](#))
  - ❑ Switch cover ([Section 5.11](#))
  - ❑ Display assembly ([Section 5.12](#))
  - ❑ Top cover ([Section 5.13](#))



2. Disconnect the wireless switch board cable ❶ from the system board.
3. Remove the two Phillips PM2.0×3.0 screws ❷ that secure the wireless switch board to the computer.
4. Remove the wireless switch board ❸.



### *Removing the Wireless Switch Board*

Reverse the above procedure to install the wireless switch board.

## 5.16 Modem Module

---

### Modem Module Spare Part Number Information

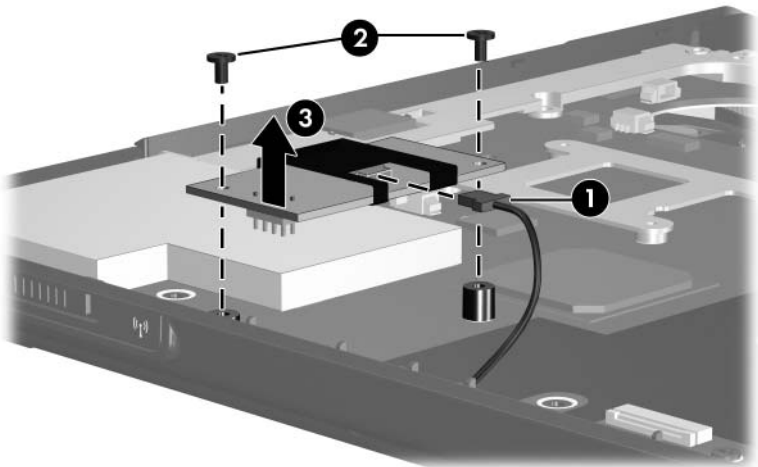
---

For use with computer models using Intel processors	417083-001
For use with computer models using AMD processors	431852-001

---

1. Prepare the computer for disassembly ([Section 5.3](#)) and remove the following components:
  - ❑ Hard drive ([Section 5.4](#))
  - ❑ Mini Card compartment cover ([Section 5.8](#))
  - ❑ Optical drive ([Section 5.9](#))
  - ❑ Keyboard ([Section 5.10](#))
  - ❑ Switch cover ([Section 5.11](#))
  - ❑ Display assembly ([Section 5.12](#))
  - ❑ Top cover ([Section 5.13](#))

2. Disconnect the modem module cable **1** from the modem module.
3. Remove the two Phillips PM2.0x4.0 screws **2** that secure the modem module to the system board.
4. Lift up on the front of the modem module **3** to disconnect it from the system board.
5. Remove the modem module.



### *Removing the Modem Module*

Reverse the above procedure to install the modem module.

## 5.17 Audio/Infrared Board

---

### Audio/Infrared Board Spare Part Number Information

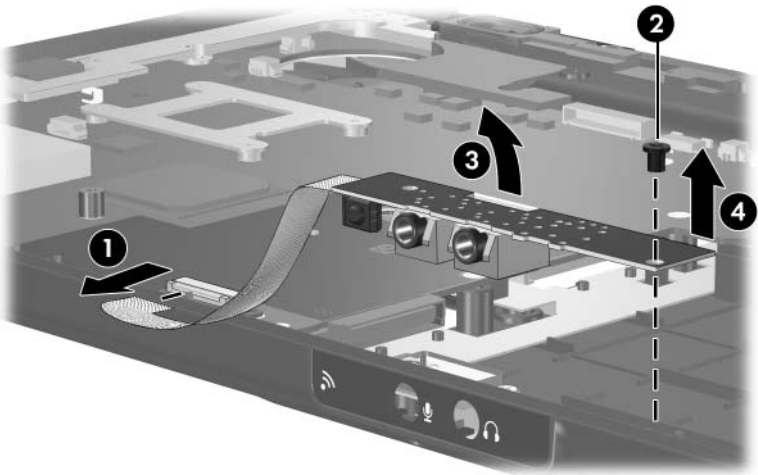
---

Audio/infrared board (includes audio/infrared board cable)	430465-001
--	------------

---

1. Prepare the computer for disassembly ([Section 5.3](#)) and remove the following components:
  - ❑ Hard drive ([Section 5.4](#))
  - ❑ Mini Card compartment cover ([Section 5.8](#))
  - ❑ Optical drive ([Section 5.9](#))
  - ❑ Keyboard ([Section 5.10](#))
  - ❑ Switch cover ([Section 5.11](#))
  - ❑ Display assembly ([Section 5.12](#))
  - ❑ Top cover ([Section 5.13](#))

2. Release the ZIF connector to which the audio/infrared board cable is connected and disconnect the cable ❶ from the system board.
3. Remove the silver Phillips PM2.5×5.0 screw ❷ that secures the audio/infrared board to the computer.
4. Lift the rear edge of the audio/infrared board ❸ and swing it forward until the audio connectors disengage from the base enclosure.
5. Remove the audio/infrared board ❹.



### *Removing the Audio/Infrared Board*

Reverse the above procedure to install the audio/infrared board.

## 5.18 Bluetooth Module

---

### Bluetooth Module Spare Part Number Information

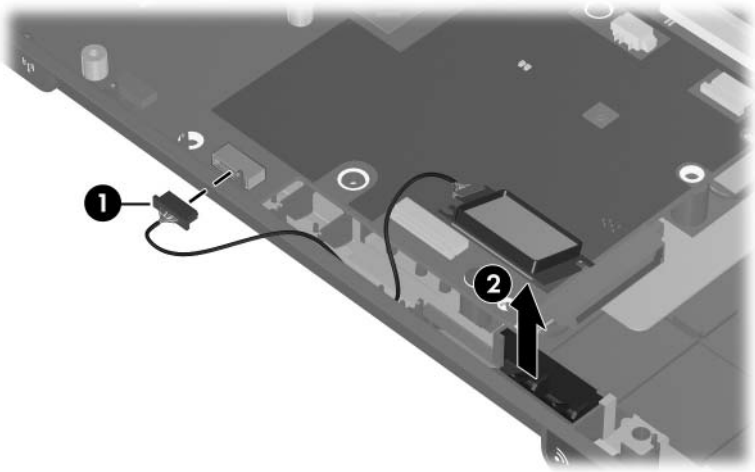
---

Bluetooth module (includes Bluetooth module cable)	397923-002
--	------------

---

1. Prepare the computer for disassembly ([Section 5.3](#)) and remove the following components:
  - ❑ Hard drive ([Section 5.4](#))
  - ❑ Mini Card compartment cover ([Section 5.8](#))
  - ❑ Optical drive ([Section 5.9](#))
  - ❑ Keyboard ([Section 5.10](#))
  - ❑ Switch cover ([Section 5.11](#))
  - ❑ Display assembly ([Section 5.12](#))
  - ❑ Top cover ([Section 5.13](#))
  - ❑ Audio/infrared board ([Section 5.17](#))

2. Disconnect the Bluetooth module cable ❶ from the system board.
3. Remove the Bluetooth module ❷.



### *Removing the Bluetooth Module*

Reverse the above procedure to install the Bluetooth module.

## 5.19 USB Board

---

### USB Board Spare Part Number Information

---

USB board (includes USB board cable)

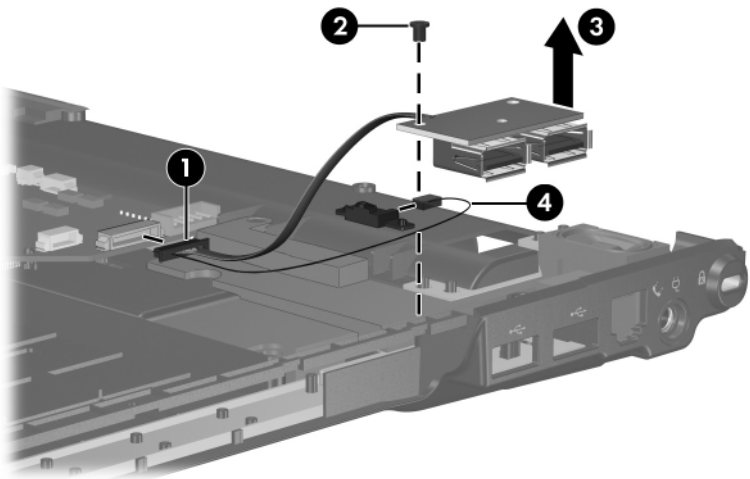
417085-001

---

1. Prepare the computer for disassembly ([Section 5.3](#)) and remove the following components:
  - ❑ Hard drive ([Section 5.4](#))
  - ❑ Mini Card compartment cover ([Section 5.8](#))
  - ❑ Optical drive ([Section 5.9](#))
  - ❑ Keyboard ([Section 5.10](#))
  - ❑ Switch cover ([Section 5.11](#))
  - ❑ Display assembly ([Section 5.12](#))
  - ❑ Top cover ([Section 5.13](#))



2. Disconnect the USB board cable ❶ from the system board.
3. Remove the silver Phillips PM2.5×5.0 screw ❷ that secures the USB board to the computer.
4. Lift the USB board ❸ straight up to remove it from the computer.
5. Remove the num lock light ❹ from the clip in the base enclosure



### *Removing the USB Board*

Reverse the above procedure to install the USB board.

## 5.20 Speaker Assembly

---

### Speaker Assembly Spare Part Number Information

---

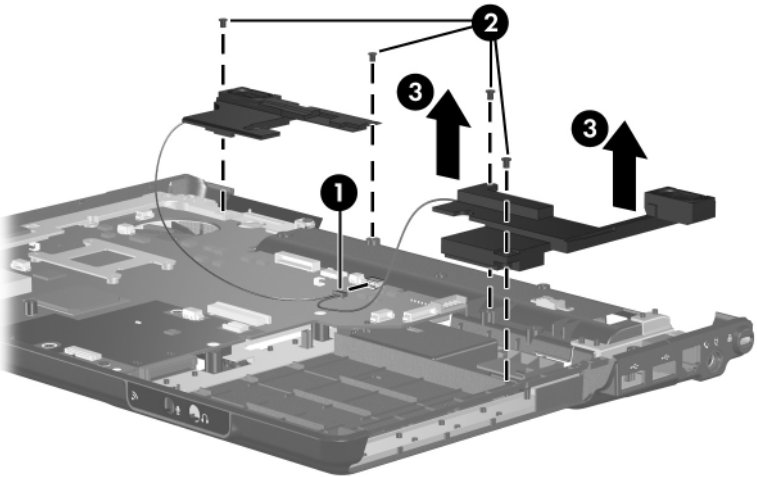
Speaker assembly

417089-001

---

1. Prepare the computer for disassembly ([Section 5.3](#)) and remove the following components:
  - ❑ Hard drive ([Section 5.4](#))
  - ❑ Mini Card compartment cover ([Section 5.8](#))
  - ❑ Optical drive ([Section 5.9](#))
  - ❑ Keyboard ([Section 5.10](#))
  - ❑ Switch cover ([Section 5.11](#))
  - ❑ Display assembly ([Section 5.12](#))
  - ❑ Top cover ([Section 5.13](#))
  - ❑ USB board ([Section 5.19](#))

2. Disconnect the speaker cable **1** from the system board.
3. Remove the four Phillips PM2.5×4.0 screws **2** that secure the speakers to the computer.
4. Lift the speakers **3** straight up to remove them from the computer.



### *Removing the Speaker Assembly*

Reverse the above procedure to install the speaker assembly.

## 5.21 System Board

---

### System Board Spare Part Number Information

---

For use only with computer models using Intel processors:

PM/G72M-V for use with full-featured computer models using Intel processors	417035-001
GM for use with full-featured computer models using Intel processors	417036-001
GMZ for use with defeatured computer models using Intel processors	417037-001
PM/G72M-Z for use with full-featured models	440777-001
dv2100 for use with full-featured computer models	440768-001
GML for use with defeatured computer models	440779-001
dv2100 for use with defeatured computer models	440769-001
943GML for use with defeatured computer models	446320-001

---

For use only with computer models using AMD processors:

For use with full-featured computer models	431483-001
For use with defeatured computer models	431844-001

---

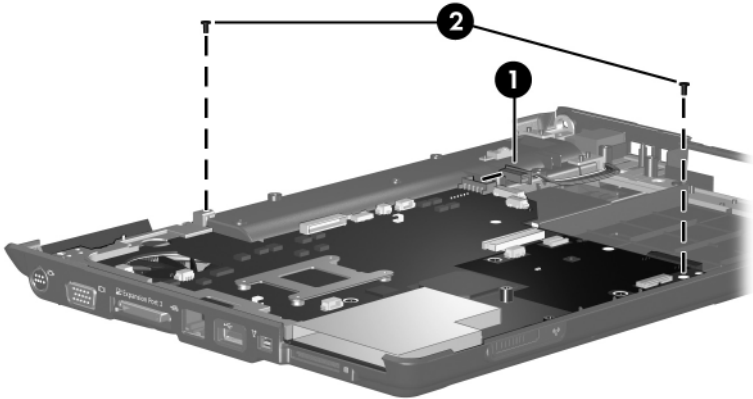


When replacing the system board, ensure that the following components are removed from the defective system board and installed on the replacement system board:

- RTC battery ([Section 5.5](#))
  - Memory modules ([Section 5.7](#))
  - Mini Card module ([Section 5.8](#))
  - Modem module ([Section 5.16](#))
  - ExpressCard assembly ([Section 5.22](#))
  - Fan/heat sink assembly ([Section 5.23](#))
  - Processor ([Section 5.24](#))
-

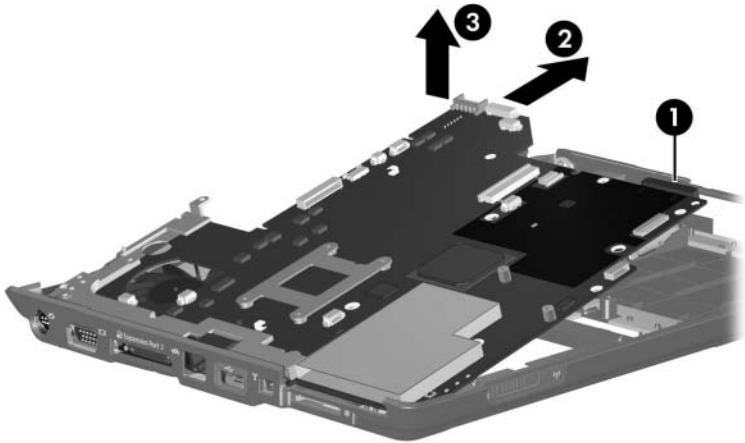
1. Prepare the computer for disassembly ([Section 5.3](#)) and remove the following components:
  - ❑ Hard drive ([Section 5.4](#))
  - ❑ Optical drive ([Section 5.9](#))
  - ❑ Keyboard ([Section 5.10](#))
  - ❑ Switch cover ([Section 5.11](#))
  - ❑ Display assembly ([Section 5.12](#))
  - ❑ Top cover ([Section 5.13](#))
  - ❑ Wireless switch board ([Section 5.15](#))
  - ❑ Audio/infrared board ([Section 5.17](#))
  - ❑ Bluetooth module ([Section 5.18](#))
  - ❑ USB board ([Section 5.19](#))
  
2. Turn the top cover right-side up with the front toward you.

3. Disconnect the power connector cable ❶ from the system board.
4. Remove the two black Phillips PM2.5×5.0 screws ❷ that secure the system board to the top cover.



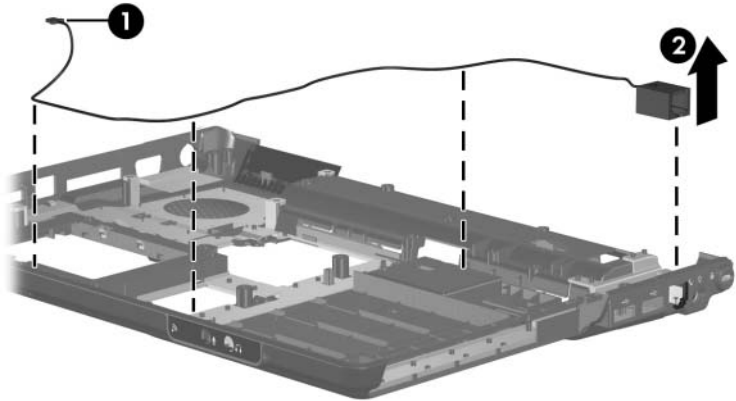
*Removing the System Board Screws*

5. Use the optical drive connector **1** to lift the right side of the system board until it rests at an angle.
6. Slide the system board **2** to the right until the connectors on the left side of the system board disengage from the base enclosure.
7. Remove the system board **3**.



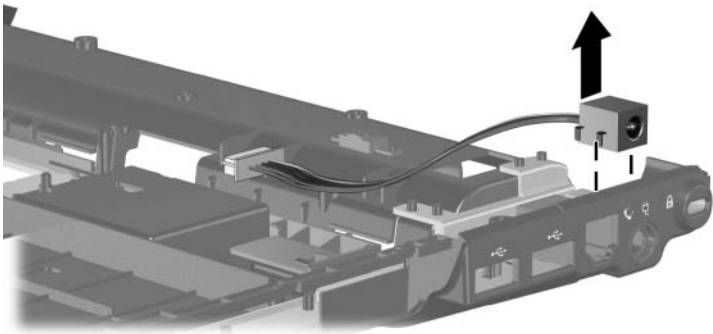
### *Removing the System Board*

8. If it is necessary to replace the modem cable, remove the modem cable ❶ from the routing channel in the base enclosure.
9. Remove the modem connector ❷ from the clips in the base enclosure.



*Removing the Modem Cable*

10. If it is necessary to replace the power connector cable, remove the power connector from the clips in the base enclosure.



*Removing the Power Connector Cable*

Reverse the above procedure to install the system board, modem cable, and power connector cable.



## 5.22 ExpressCard Assembly

---

### ExpressCard Assembly Spare Part Number Information

---

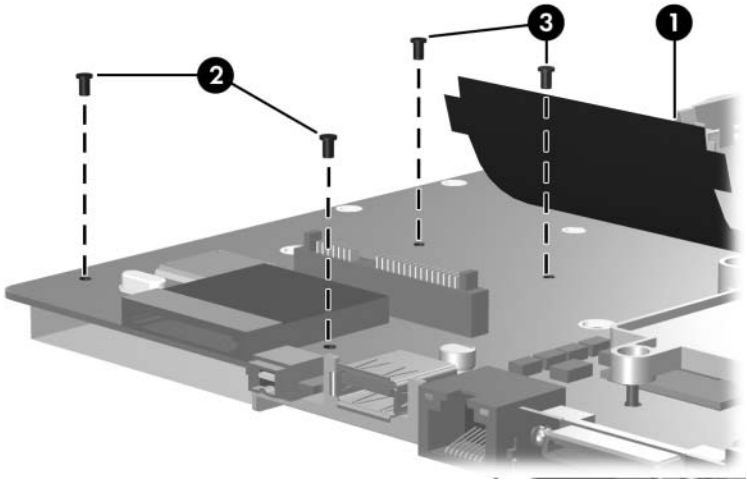
ExpressCard assembly

417112-001

---

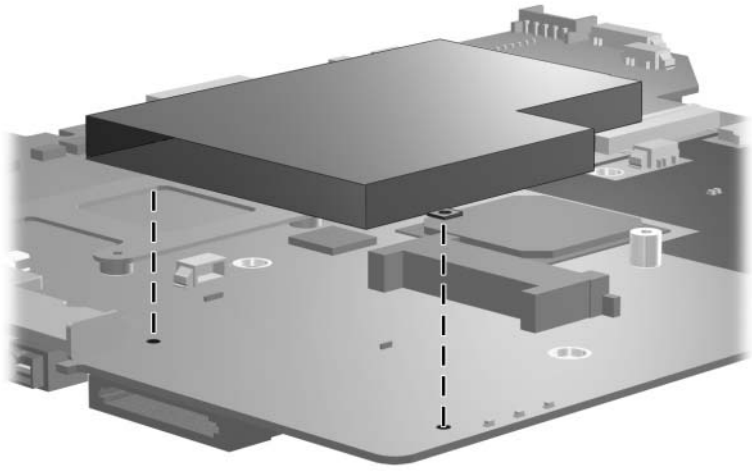
1. Prepare the computer for disassembly ([Section 5.3](#)) and remove the following components:
  - ❑ Hard drive ([Section 5.4](#))
  - ❑ Optical drive ([Section 5.9](#))
  - ❑ Keyboard ([Section 5.10](#))
  - ❑ Switch cover ([Section 5.11](#))
  - ❑ Display assembly ([Section 5.12](#))
  - ❑ Top cover ([Section 5.13](#))
  - ❑ Wireless switch board ([Section 5.15](#))
  - ❑ Audio/infrared board ([Section 5.17](#))
  - ❑ Bluetooth module ([Section 5.18](#))
  - ❑ USB board ([Section 5.19](#))
  - ❑ System board ([Section 5.21](#))
2. Turn the system board upside down with the front toward you.

3. Lift the insulation material **1** from the system board to expose the ExpressCard assembly rear screws.
4. Remove the two Phillips PM2.0×4.0 screws **2** and the two Phillips PM2.0×8.0 screws **3** that secure the ExpressCard assembly to the system board.



### Removing the Fan/Heat Sink Assembly

5. Turn the system board right-side up with the front toward you.
6. Remove the ExpressCard assembly from the system board.



*Removing the ExpressCard Assembly*

Reverse the above procedure to install the ExpressCard assembly.

## 5.23 Fan/Heat Sink Assembly

---

### Fan/Heat Sink Assembly Spare Part Number Information

---

For use with computer models using Intel processors:

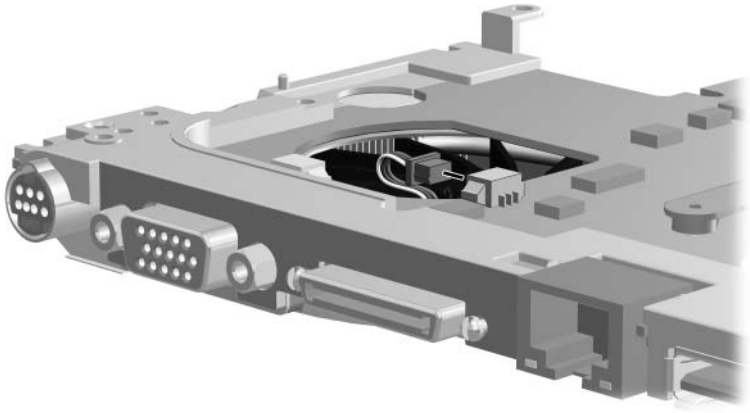
- |                                     |            |
|-------------------------------------|------------|
| ■ For use on UMA system boards      | 430463-001 |
| ■ For use on discrete system boards | 417081-001 |
- 

For use with computer models using AMD processors

---

1. Prepare the computer for disassembly ([Section 5.3](#)) and remove the following components:
  - ❑ Hard drive ([Section 5.4](#))
  - ❑ Optical drive ([Section 5.9](#))
  - ❑ Keyboard ([Section 5.10](#))
  - ❑ Switch cover ([Section 5.11](#))
  - ❑ Display assembly ([Section 5.12](#))
  - ❑ Top cover ([Section 5.13](#))
  - ❑ System board ([Section 5.21](#))

2. Turn the computer upside down with the front toward you.
3. Disconnect the fan cable from the system board.



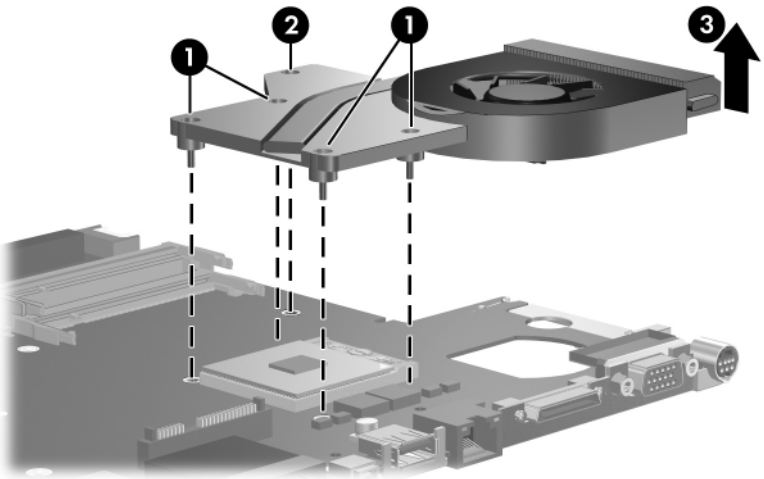
*Disconnecting the Fan Cable*



Steps 4 and 5 apply only to computer models using Intel processors.

---

4. Loosen the four Phillips PM2.0×13.0 screws **1** and the Phillips PM2.0×9.0 screw **2** that secure the fan/heat sink assembly to the system board.
5. Remove the fan/heat sink assembly **3** from the system board.



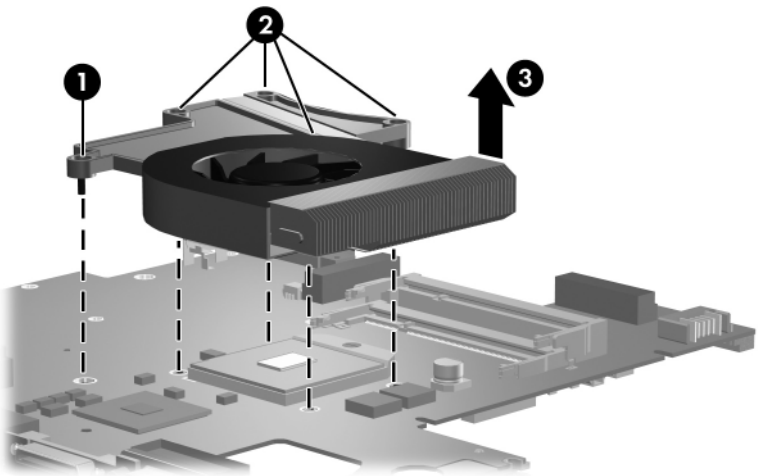
*Removing Fan/Heat Sink Assembly*



Steps 6 and 7 apply only to computer models using AMD processors.

---

6. Loosen the Phillips PM2.0×9.0 screw **1** and the four Phillips PM2.0×13.0 screws **2** that secure the fan/heat sink assembly to the system board.
7. Remove the fan/heat sink assembly **3** from the system board.



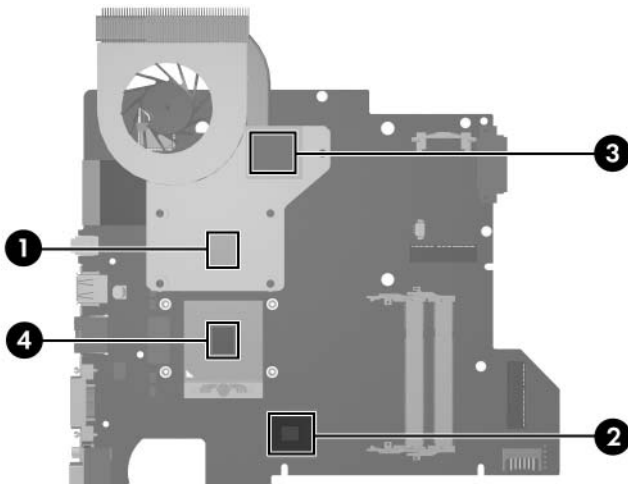
*Removing Fan/Heat Sink Assembly*



The following note applies only to computer models using Intel processors:

The thermal pads should be thoroughly cleaned from the surfaces of the fan/heat sink assembly **1** and **3**, video memory chip **2**, and processor **4** each time the fan/heat sink assembly is removed. Thermal pads should be installed on all surfaces before the fan/heat sink assembly is reinstalled. Thermal pads are included with all fan/heat sink assembly, system board, and processor spare part kits.

---



*Replacing the Thermal Pads*

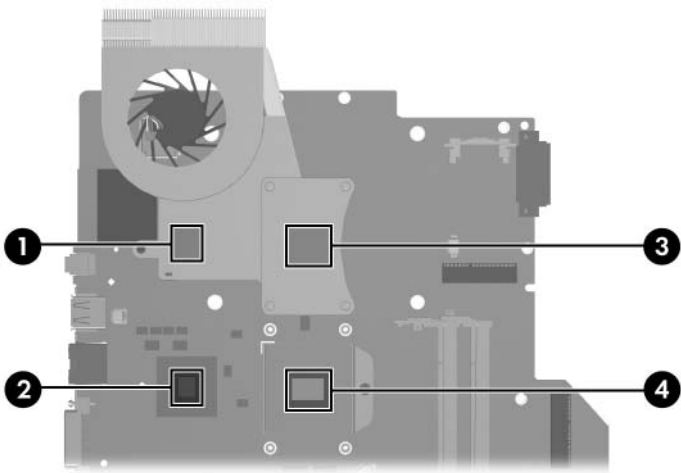




The following note applies only to computer models using AMD processors:

The thermal pads should be thoroughly cleaned from the surfaces of the fan/heat sink assembly **1** and **3**, video memory chip **2**, and processor **4** each time the fan/heat sink assembly is removed. Thermal pads should be installed on all surfaces before the fan/heat sink assembly is reinstalled. Thermal pads are included with all fan/heat sink assembly, system board, and processor spare part kits.

---



### *Replacing the Thermal Pads*

Reverse the above procedure to install the fan/heat sink assembly.

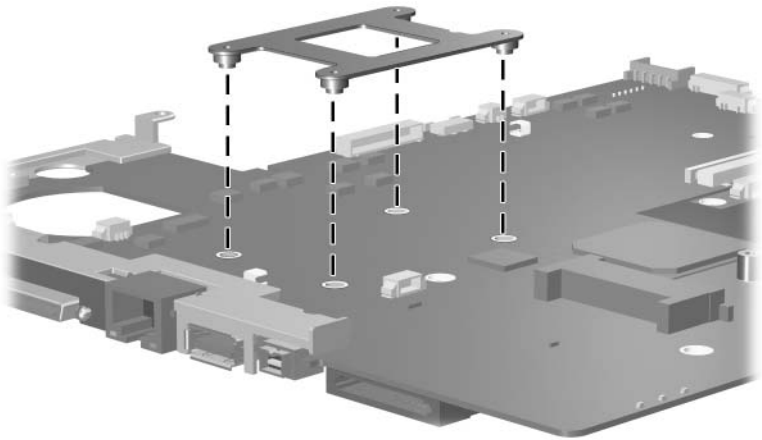


The following note applies only to computer models using Intel processors:

The fan/heat sink assembly mounting bracket should be replaced as shown in the following illustration when installing the fan/heat sink assembly.

The fan/heat sink assembly mounting bracket is available using spare part number 417114-001.

---



*Removing the Fan/Heat Sink Assembly Mounting Bracket*

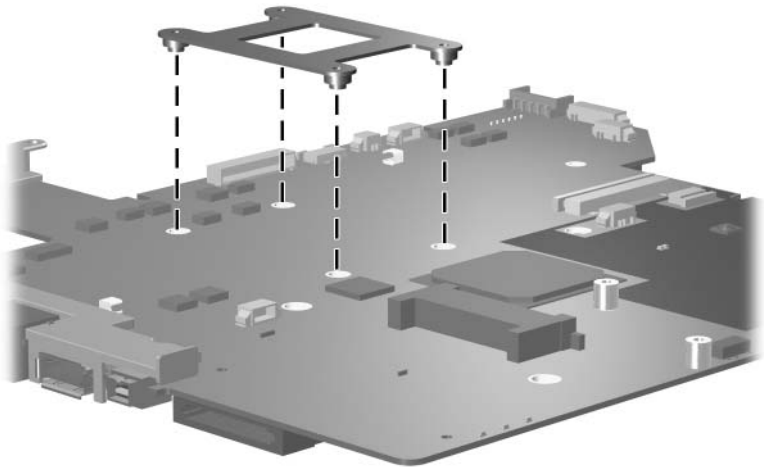


The following note applies only to computer models using AMD processors:

The fan/heat sink assembly mounting bracket should be replaced as shown in the following illustration when installing the fan/heat sink assembly.

The fan/heat sink assembly mounting bracket is available using spare part number 417114-001.

---



#### *Removing the Fan/Heat Sink Assembly Mounting Bracket*

Reverse the above procedure to install the fan/heat sink assembly.

## 5.24 Processor

### Processor Spare Part Number Information

Intel Core Duo T7200 (2.00-GHz), use with V3200 models	435849-001
Intel Core Duo T5600 (1.83-GHz), use with V3200 models	435848-001
Intel Core Duo T5500 (1.66-GHz), use with V3200 models	437780-001
Intel Core Duo T5200 (1.60-GHz), use with V3200 models	437781-001
Intel Core Duo T2600 (2.16-GHz)	417044-001
Intel Core Duo T2500 (2.00-GHz)	417043-001
Intel Core Duo T2400 (1.83-GHz)	417042-001
Intel Core Duo T2250 (1.73-GHz)	430455-001
Intel Core Duo T2300 (1.66-GHz)	417041-001
Intel Core Duo T2050 (1.60-GHz)	430454-001
Intel Core Duo T2350 (1.60-GHz), use with V3200 models	440781-001
Intel Core Duo T2060 (1.60-GHz), use with V3200 models	441610-001
Intel Core Solo T1350 (1.80-GHz)	430456-001
Intel Celeron M 440 (1.86-GHz), use with V3200 models	440780-001
Intel Celeron M 430 (1.73-GHz), use with V3200 models	435851-001
AMD Turion Dual Core, TL-60, 2.0-GHz, use with V3200 models	440771-001
AMD Turion 64, MK-36, 2.00-GHz, use with V3200 models	438210-001
AMD Turion TL-56, 1.80-GHz, use with V3200 models	435837-001
AMD Turion ML-52 1.60-GHz	431846-001
AMD Turion ML-50 1.60-GHz	431845-001
Mobile AMD Sempron 3500+ (1.80-GHz), use with V3200 models	435838-001
Mobile AMD Sempron 3400+ (1.80-GHz)	431849-001
Mobile AMD Sempron 3200+ (1.60-GHz)	431484-001

1. Prepare the computer for disassembly ([Section 5.3](#)) and remove the following components:
  - ❑ Hard drive ([Section 5.4](#))
  - ❑ Optical drive ([Section 5.9](#))

- ❑ Keyboard ([Section 5.10](#))
- ❑ Switch cover ([Section 5.11](#))
- ❑ Display assembly ([Section 5.12](#))
- ❑ Top cover ([Section 5.13](#))
- ❑ Wireless switch board ([Section 5.15](#))
- ❑ Audio/infrared board ([Section 5.17](#))
- ❑ Bluetooth module ([Section 5.18](#))
- ❑ USB board ([Section 5.19](#))
- ❑ System board ([Section 5.21](#))
- ❑ Fan/heat sink assembly ([Section 5.23](#))



Steps 2 and 3 apply only to computer models using Intel processors.

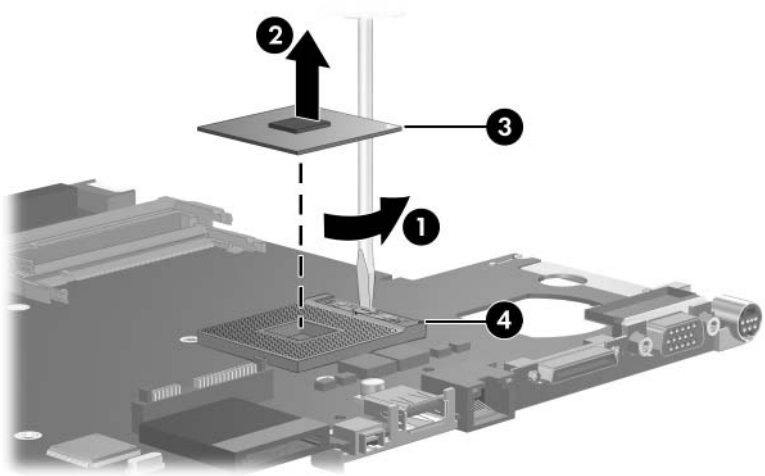
---

2. Turn the processor locking screw **1** one-half turn counterclockwise until you feel a click.
3. Lift the processor **2** straight up and remove it.



The gold triangle **3** on the processor should be aligned with the triangle icon **4** embossed on the processor socket when you install the processor.

---



*Removing the Processor*



Steps 4 and 5 apply only to computer models using AMD processors.

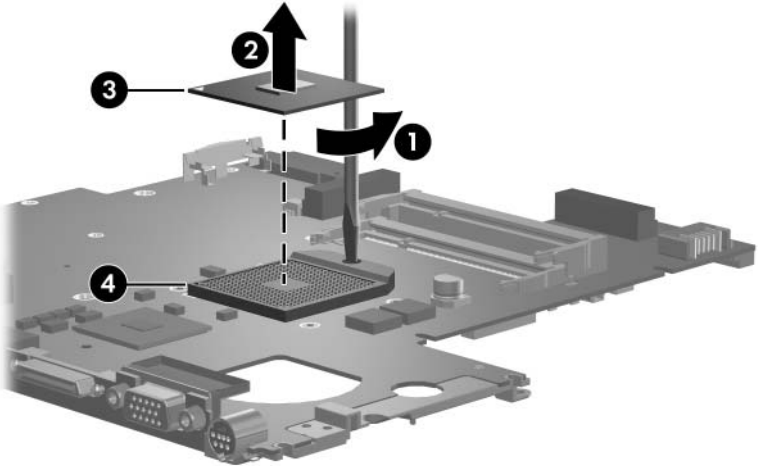
---

4. Turn the processor locking screw **1** one-half turn counterclockwise until you feel a click.
  5. Lift the processor **2** straight up and remove it.
- 



The gold triangle **3** on the processor should be aligned with the triangle icon **4** embossed on the processor socket when you install the processor.

---



### Removing the Processor

Reverse the above procedure to install a processor.

# 6

## Specifications

This chapter provides physical and performance specifications.

**Table 6-1**  
**Computer**

<b>Dimensions</b>		
Length	33.4 cm	13.2 in
Width	23.7 cm	9.33 in
Height (varies front to rear)	2.6 to 3.9 cm	1.02 to 1.54 in
<b>Weight</b> (varies by configuration)	2.41 kg	5.31 lb
<b>Stand-alone power requirements</b>		
Operating voltage	18.5 V dc – 19.0 V dc	
Operating current	3.5 A or 4.74 A	
<b>Temperature</b>		
Operating*	10°C to 35°C	50°F to 95°F
Nonoperating	-20°C to 60°C	-4°F to 140°F
<b>Relative humidity</b> (noncondensing)		
Operating	10% to 90%	
Nonoperating	5% to 95%, 38.7°C (101.6°F) maximum wet bulb temperature	
<b>Maximum altitude</b> (unpressurized)		
Operating (14.7 to 10.1 psia)	-15 m to 3,048 m	-50 ft to 10,000 ft
Nonoperating (14.7 to 4.4 psia)	-15 m to 12,192 m	-50 ft to 40,000 ft



---

**Table 6-1**  
**Computer (Continued)**

---

**Shock**

Operating	125 g, 2 ms, half-sine
Nonoperating	200 g, 2 ms, half-sine

---

**Random Vibration**

Operating	0.75 g zero-to-peak, 10 Hz to 500 Hz, 0.25 oct/min sweep rate
Nonoperating	1.50 g zero-to-peak, 10 Hz to 500 Hz, 0.5 oct/min sweep rate

---

\*Applicable product safety standards specify thermal limits for plastic surfaces. The computer operates well within this range of temperatures.

---

**Table 6-2**  
**14.0-inch, WXGA, SVA Display**

<b>Dimensions</b>		
Height	27.94 cm	11.0 in
Width	20.83 cm	8.2 in
Diagonal	35.56 cm	14.0 in
<b>Number of colors</b>	Up to 16.8 million	
<b>Contrast ratio</b>	250:1	
<b>Brightness</b>	180 nits typical	
<b>Pixel resolution</b>		
Pitch	0.279 × 0.279 mm	
Format	1280 × 768	
Configuration	RGB vertical stripe	
<b>Backlight</b>	Edge lit	
<b>Character display</b>	80 × 25	
<b>Total power consumption</b>	4 W	
<b>Viewing angle</b>	+/-40° horizontal, +20/-40° vertical typical	

**Table 6-3**  
**Hard Drives**

	160-GB*	120-GB*
<b>Dimensions</b>		
Height	9.5 mm	9.5 mm
Width	70 mm	70 mm
Weight	102 g	99 g
<b>Interface type</b>		
	ATA-7	ATA-5
<b>Transfer rate</b>		
Synchronous (maximum)	150 MB/sec	100 MB/sec
Security	ATA security	ATA security
<b>Seek times</b> (typical read, including setting)		
Single track	2 ms	3 ms
Average	12 ms	13 ms
Maximum	21 ms	24 ms
<b>Logical blocks</b> †		
	312,581,808	234,433,260
<b>Disk rotational speed</b>		
	5400 rpm	
<b>Operating temperature</b>		
	5°C to 60°C (41°F to 140°F)	5°C to 55°C (41°F to 131°F)




Certain restrictions and exclusions apply. For details, consult technical support by selecting **Start > Help and Support > Contact support**.

\*1 GB = 1 billion bytes when referring to hard drive storage capacity. Accessible capacity is less.

†Actual drive specifications may differ slightly.

**Table 6-3**  
**Hard Drives (Continued)**

	100-GB*	80-GB*	60-GB*
<b>Dimensions</b>			
Height	9.5 mm	9.5 mm	9.5 mm
Width	70 mm	70 mm	70 mm
Weight	99 g	102 g	99 g
<b>Interface type</b>	ATA-5	ATA-5	ATA-5
<b>Transfer rate</b>			
Synchronous (maximum)	100 MB/sec	100 MB/sec	100 MB/sec
Security	ATA security	ATA security	ATA security
<b>Seek times</b> (typical read, including setting)			
Single track	3 ms	3 ms	3 ms
Average	13 ms	13 ms	13 ms
Maximum	24 ms	24 ms	24 ms
<b>Logical blocks</b> †	195,363,650	156,301,488	117,210,240
<b>Disk rotational speed</b>	5400 rpm		
<b>Operating temperature</b>	5°C to 55°C (41°F to 131°F)		
 Certain restrictions and exclusions apply. For details, consult technical support by selecting <b>Start &gt; Help and Support &gt; Contact support</b> .			
*1 GB = 1 billion bytes when referring to hard drive storage capacity. Accessible capacity is less.			
†Actual drive specifications may differ slightly.			

---

**Table 6-4**  
**Primary 6-cell, Li-Ion Battery**

---

**Dimensions**

Height	2.00 cm	0.79 in
Width	9.40 cm	3.70 in
Depth	13.40 cm	5.28 in
Weight	0.34 kg	0.75 lb

---

**Energy**

Voltage	11.1 V
Amp-hour capacity	4.4 Ah
Watt-hour capacity	48 Wh

---

**Temperature**

Operating	5°C to 45°C	41°F to 113°F
Nonoperating	0°C to 60°C	32°F to 140°F

---

**Table 6-5**  
**DVD/CD-RW Combo Drive**

<b>Applicable disc</b>	<b>Read:</b>	<b>Write:</b>
	DVD-R, DVD-RW, DVD-ROM (DVD-5, DVD-9, DVD-10, DVD-18), CD-ROM (Mode 1 and 2) CD Digital Audio CD-XA ready (Mode 2, Form 1 and 2) CD-I ready (Mode 2, Form 1 and 2) CD-R, CD-RW Photo CD (single and multisession) CD-Bridge	CD-R and CD-RW
<b>Center hole diameter</b>	1.5 cm (0.59 in)	
<b>Disc diameter</b>		
Standard disc	12 cm (4.72 in)	
Mini disc	8 cm (3.15 in)	

**Table 6-5**  
**DVD/CD-RW Combo Drive (Continued)**

<b>Disc thickness</b>	1.2 mm (0.047 in)	
<b>Track pitch</b>	0.74 $\mu$ m	
<b>Access time</b>	CD media	DVD media
Random	< 110 ms	< 130 ms
Full stroke	< 210 ms	< 225 ms
<b>Audio output level</b>	Line-out, 0.7 V rms	
<b>Cache buffer</b>	2 MB	
<b>Data transfer rate</b>		
CD-R (24X)	3600 KB/s (150 KB/s at 1X CD rate)	
CD-RW (10X)	1500 KB/s (150 KB/s at 1X CD rate)	
CD-ROM (24X)	3600 KB/s (150 KB/s at 1X CD rate)	
DVD (8X)	10,800 KB/s (1352 KB/s at 1X DVD rate)	
Multiword DMA mode 2	16.6 MB/s	
<b>Startup time</b>	< 15 seconds	
<b>Stop time</b>	< 6 seconds	

**Table 6-6**  
**DVD±RW/R and**  
**CD-RW Double-Layer Combo Drive**

<b>Applicable disc</b>	<b>Read:</b>	<b>Write:</b>
	DVD-R, DVD-RW, DVD-ROM (DVD-5, DVD-9, DVD-10, DVD-18), CD-ROM (Mode 1 and 2) CD Digital Audio CD-XA ready (Mode 2, Form 1 and 2) CD-I ready (Mode 2, Form 1 and 2) CD-R, CD-RW Photo CD (single and multisession) CD-Bridge	CD-R and CD-RW DVD-R and DVD-RW
<b>Center hole diameter</b>	1.5 cm (0.59 in)	
<b>Disc diameter</b>		
Standard disc	12 cm (4.72 in)	
Mini disc	8 cm (3.15 in)	



**Table 6-6**  
**DVD±RW/R and**  
**CD-RW Double-Layer Combo Drive (Continued)**

<b>Disc thickness</b>	1.2 mm (0.047 in)	
<b>Track pitch</b>	0.74 μm	
<b>Access time</b>	CD media	DVD media
Random	< 175 ms	< 230 ms
Full stroke	< 285 ms	< 335 ms
<b>Audio output level</b>	Audio-out, 0.7 Vrms	
<b>Cache buffer</b>	2 MB	
<b>Data transfer rate</b>		
CD-R (16X)	2,400 KB/s (150 KB/s at 1X CD rate)	
CD-RW (8X)	1,200 KB/s (150 KB/s at 1X CD rate)	
CD-ROM (24X)	3,600 KB/s (150 KB/s at 1X CD rate)	
DVD (8X)	10,800 KB/s (1,352 KB/s at 1X DVD rate)	
DVD-R (4X)	5,400 KB/s (1,352 KB/s at 1X DVD rate)	
DVD-RW (2X)	2,700 KB/s (1,352 KB/s at 1X DVD rate)	
Multiword DMA mode 2	16.6 MB/s	
<b>Startup time</b>	< 15 seconds	
<b>Stop time</b>	< 6 seconds	

---

**Table 6-7**  
**System DMA**

<b>Hardware DMA</b>	<b>System Function</b>
DMA0	Not applicable
DMA1	Not applicable
DMA2	Not applicable
DMA3	Not applicable
DMA4	Direct memory access controller
DMA5	Available for ExpressCard
DMA6	Not assigned
DMA7	Not assigned

---

**Table 6-8**  
**System Interrupts**

<b>Hardware IRQ</b>	<b>System Function</b>
IRQ0	System timer
IRQ1	Quick Launch buttons
IRQ2	Cascaded
IRQ3	USB2 Enhanced Host Controller—24CD
IRQ4	COM1
IRQ5*	Conexant AC—Link Audio SMBus Controller—24C3 Data Fax Modem with SmartCP
IRQ6	Diskette drive
IRQ7*	Parallel port
IRQ8	System CMOS/real-time clock
IRQ9*	Microsoft ACPI-compliant system
IRQ10*	USB UHCI controller—24C2 GM/GME Graphic Controller Realtek RTL8139 Family PCI fast Ethernet Controller
IRQ11	USB EHCI controller—24CD USB UHCI controller—24C4 USB UHCI controller—24C7 Pro/Wireless 2200BG TI OHCI 1394 host controller TI PCI1410 CardBus controller

\*Default configuration



ExpressCard may assert IRQ3, IRQ4, IRQ5, IRQ7, or IRQ20.

**Table 6-8**  
**System Interrupts (Continued)**

<b>Hardware IRQ</b>	<b>System Function</b>
IRQ12	Synaptics PS/2 port pointing device
IRQ13	Numeric data processor
IRQ14	Primary IDE channel
IRQ15	Secondary IDE channel
IRQ17	Conexant AC -Link Audio
IRQ17	Soft V90 Data Fax Modem with SmartCP
IRQ17	ATi Mobility Radeon Xpress 200 Series
IRQ19	Standard Enhanced PCI to USB Host Controller
IRQ19	Standard OpenHCD USB Host Controller
IRQ19	Standard OpenHCD USB Host Controller
IRQ20	TI 6411 PC1xx21/x515 Cardbus Controller
IRQ20	TI OHCI Compliant IEEE 1394 Host Controller
IRQ21	TI Integrated PC1xx21 FlashMedia Controller
IRQ21	Broadcom 802.11b/g WLAN
IRQ21	Microsoft ACPI-compliant system
IRQ22	Realtek RTL8100CL Family PCI fast Ethernet Controller
IRQ23	SDA Standard Compliant SD Host Controller

\*Default configuration



ExpressCard may assert IRQ3, IRQ4, IRQ5, IRQ7, or IRQ20.

**Table 6-9**  
**System I/O Addresses**

<b>I/O Address (hex)</b>	<b>System Function (shipping configuration)</b>
0x00000000-0x00000CF7	PCI bus
0x00000000-0x00000CF7	Direct memory access controller
0x00000020-0x00000021	Programmable interrupt controller
0x0000002E-0x0000002F	System board resources
0x00000040-0x00000043	System timer
0x00000060-0x00000060	Quick Launch Buttons
0x00000061-0x00000061	System speaker
0x00000062-0x00000062	Microsoft ACPI-Compliant Embedded Controller
0x00000064-0x00000064	Quick Launch Buttons
0x00000066-0x00000066	Microsoft ACPI-Compliant Embedded Controller
0x00000070-0x00000071	System CMOS/real time clock
0x00000072-0x00000073	System board resources
0x00000080-0x0000008F	Direct memory access controller
0x00000092-0x00000092	System board resources
0x000000A0-0x000000A1	Programmable interrupt controller
0x000000B0-0x000000B1	System board resources
0x000000C0-0x000000DF	Direct memory access controller
0x000000F0-0x000000FE	Numeric data processor
0x00000170-0x00000177	Secondary IDE Channel

**Table 6-9**  
**System I/O Addresses (Continued)**

<b>I/O Address (hex)</b>	<b>System Function (shipping configuration)</b>
0x000001F0-0x000001F7	Primary IDE Channel
0x00000220-0x0000022F	System board resources
0x00000274-0x00000277	ISAPNP Read Data Port
0x00000279-0x00000279	ISAPNP Read Data Port
0x00000280-0x00000293	System board resources
0x00000376-0x00000376	Secondary IDE Channel
0x000003B0-0x000003BB	PCI standard PCI-to-PCI bridge
0x000003B0-0x000003BB	ATI MOBILITY RADEON Xpress 200 Series
0x000003C0-0x000003DF	PCI standard PCI-to-PCI bridge
0x000003C0-0x000003DF	ATI MOBILITY RADEON Xpress 200 Series
0x000003F6-0x000003F6	Primary IDE Channel
0x0000040B-0x0000040B	System board resources
0x000004D0-0x000004D1	System board resources
0x000004D6-0x000004D6	System board resources
0x00000530-0x00000537	System board resources
0x00000870-0x0000087F	System board resources
0x00000A79-0x00000A79	ISAPNP Read Data Port
0x00000C00-0x00000C01	System board resources
0x00000C14-0x00000C14	System board resources
0x00000C50-0x00000C52	System board resources
0x00000C6C-0x00000C6C	System board resources

**Table 6-9**  
**System I/O Addresses (Continued)**

<b>I/O Address (hex)</b>	<b>System Function (shipping configuration)</b>
0x00000C6F-0x00000C6F	System board resources
0x00000CD4-0x00000CD5	System board resources
0x00000CD6-0x00000CD7	System board resources
0x00000CD8-0x00000CDF	System board resources
0x00000D00-0x0000FFFF	PCI bus
0x00000F40-0x00000F47	System board resources
0x00001080-0x00001080	System board resources
0x00008000-0x0000805F	System board resources
0x00008100-0x000081FF	System board resources
0x00008400-0x0000840F	ATI SMBus
0x00008410-0x0000841F	Standard Dual Channel PCI IDE Controller
0x00009000-0x00009FFF	PCI standard PCI-to-PCI bridge
0x00009000-0x00009FFF	ATI MOBILITY RADEON Xpress 200 Series
0x0000A000-0x0000A0FF	Realtek RTL8139/810x Family Fast Ethernet NIC
0x0000F000-0x0000FFFF	PCI standard PCI-to-PCI bridge
0x0000FD00-0x0000FDFF	Texas Instruments PCIE21/x515 Cardbus Controller
0x0000FE00-0x0000FEFF	Texas Instruments PCIE21/x515 Cardbus Controller

**Table 6-10**  
**System Memory Map**

<b>Memory Map Address (hex)</b>	<b>System Function (shipping configuration)</b>
0xD4100000-0xD41FFFFFF	PCI standard PCI-to-PCI bridge
0xD4100000-0xD41FFFFFF	ATI MOBILITY RADEON Xpress 200 Series
0xD8000000-0xDBFFFFFFF	PCI standard PCI-to-PCI bridge
0xD8000000-0xDBFFFFFFF	ATI MOBILITY RADEON Xpress 200 Series
0xFAC00000-0xFEBFFFFFF	PCI standard PCI-to-PCI bridge
0xF6C00000-0xFABFFFFFF	PCI standard PCI-to-PCI bridge
0xD4000000-0xD400FFFF	Standard OpenHCD USB Host Controller
0xD4001000-0xD4001FFF	Standard OpenHCD USB Host Controller
0xD4002000-0xD4002FFF	Standard Enhanced PCI to USB Host Controller
0xD4003000-0xD40033FF	ATI SMBus
0xFFFF80000-0xFFFFFFFF	System board
0xE0000000-0xE03FFFFFF	System board
0xE0000000-0xE03FFFFFF	System board resources
0x0000-0x0FFF	System board
0xD4208000-0xD42087FF	Texas Instruments OHCI Compliant IEEE 1394 Host Controller
0xD4200000-0xD4203FFF	Texas Instruments OHCI Compliant IEEE 1394 Host Controller
0xD4204000-0xD4205FFF	Broadcom 802.11b/g WLAN
0xFFE0000-0xFFE00000	Texas Instruments PC1x21/x515 Cardbus Controller
0xFFE0000-0xFFE00000	Texas Instruments PC1x21/x515 Cardbus Controller



**Table 6-10**  
**System Memory Map (Continued)**

<b>Memory Map Address (hex)</b>	<b>System Function (shipping configuration)</b>
0xF2C00000-0xF6BFFFFF	Texas Instruments PCIxx21/x515 Cardbus Controller
0xD4206000-0xD4207FFF	Texas Instruments PCIxx21 Integrated FlashMedia Controller
0xD4209000-0xD42090FF	SDA Standard Compliant SD Host Controller
0xD4208C00-0xD4208CFF	SDA Standard Compliant SD Host Controller
0xD4208800-0xD42088FF	SDA Standard Compliant SD Host Controller
0xD4209400-0xD42094FF	Realtek RTL8139/810x Family Fast Ethernet NIC
0xD4003400-0xD40034FF	Conexant AC-Link Audio
0xD4003800-0xD40038FF	SoftV90 Data Fax Modem with SmartCP
0xFEC00000-0xFEC00FFF	System board resources
0xFEE00000-0xFEE00FFF	System board resources
0xA0000-0xBFFFFF	PCI bus
0xA0000-0xBFFFFF	PCI standard PCI-to-PCI bridge
0xA0000-0xBFFFFF	ATI MOBILITY RADEON Xpress 200 Series
0xD6000-0xD7FFF	PCI bus
0xDC000-0xDDFFF	PCI bus
0xDD000-0xDDFFF	Texas Instruments PCIxx21/x515 Cardbus Controller
0xE0000-0xFFFFF	System board
0x40000000-0xFFFFFFFF	PCI bus

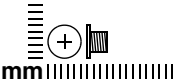
# A

## Screw Listing

This appendix provides specification and reference information for the screws used in the computer. All screws listed in this appendix are available in the Screw Kit, spare part number 417109-001, and the Display Screw Kit, spare part number 417105-001.

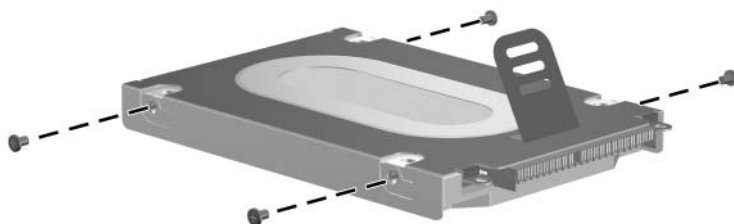
**Table A-1**

**Phillips PM3.0x3.0 Screw**

	Color	Qty.	Length	Thread	Head Width
mm	Silver	4	3.0 mm	3.0 mm	4.0 mm

**Where used:**

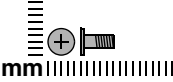
4 screws that secure the hard drive frame to the hard drive (documented in [Section 5.4](#))



*Phillips PM3.0x3.0 Screw Locations*

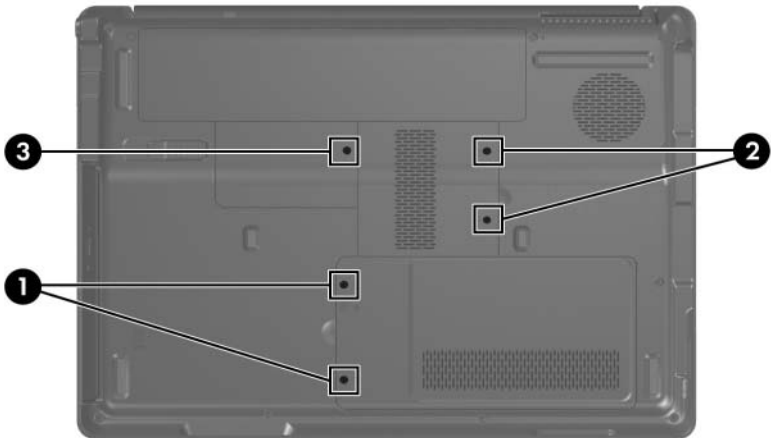
Table A-2

## Black Phillips PM2.0×5.0 Captive Screw

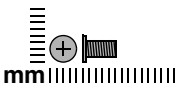
	Color	Qty.	Length	Thread	Head Width
mm	Black	5	5.0 mm	2.0 mm	4.0 mm

**Where used:**

- ① Two screws that secure the hard drive cover to the computer (screws are captured on the cover by C-clips; documented in [Section 5.4](#))
- ② Two screws that secure the memory module compartment cover to the computer (screws are captured on the cover by C-clips; documented in [Section 5.7](#))
- ③ One screw that secures the Mini Card compartment cover to the computer (screw is captured on the cover by a C-clip; documented in [Section 5.8](#))

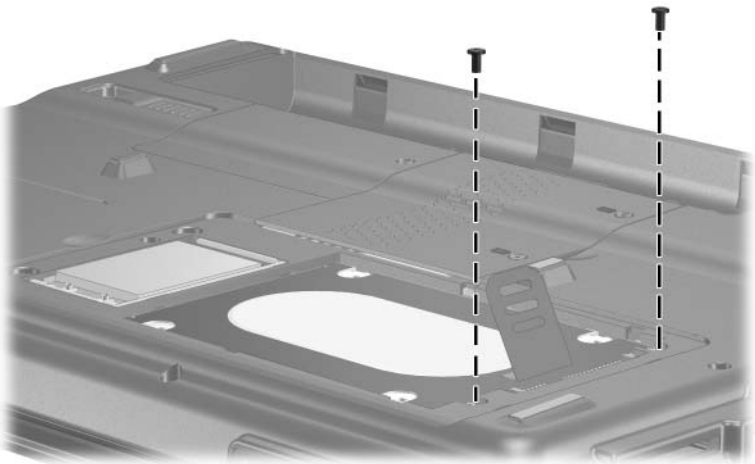
*Black Phillips PM2.0×5.0 Captive Screw Locations*

**Table A-3**  
**Black Phillips PM2.5x5.0 Screw**

	Color	Qty.	Length	Thread	Head Width
	Black	13	5.0 mm	2.5 mm	4.0 mm

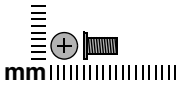
**Where used:**

2 screws that secure the hard drive to the computer (documented in [Section 5.4](#))



*Black Phillips PM2.5x5.0 Screw Locations*

**Table A-3**  
**Black Phillips PM2.5×5.0 Screw (Continued)**



Color	Qty.	Length	Thread	Head Width
Black	13	5.0 mm	2.5 mm	4.0 mm

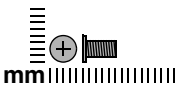
**Where used:**

2 screws that secure the display inverter bracket to the display assembly (documented in [Section 5.12](#))



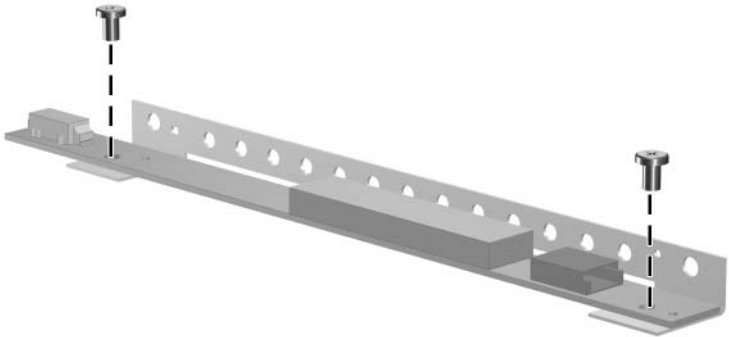
*Black Phillips PM2.5×5.0 Screw Locations*

**Table A-3**  
**Black Phillips PM2.5×5.0 Screw (Continued)**

	Color	Qty.	Length	Thread	Head Width
	Black	13	5.0 mm	2.5 mm	4.0 mm

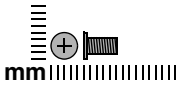
**Where used:**

2 screws that secure the display inverter to the display inverter bracket (documented in [Section 5.12](#))



*Black Phillips PM2.5×5.0 Screw Locations*

**Table A-3**  
**Black Phillips PM2.5×5.0 Screw (Continued)**



Color	Qty.	Length	Thread	Head Width
Black	13	5.0 mm	2.5 mm	4.0 mm

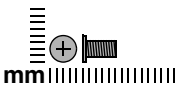
**Where used:**

2 screws that secure the display hinges to the display assembly (documented in [Section 5.12](#))



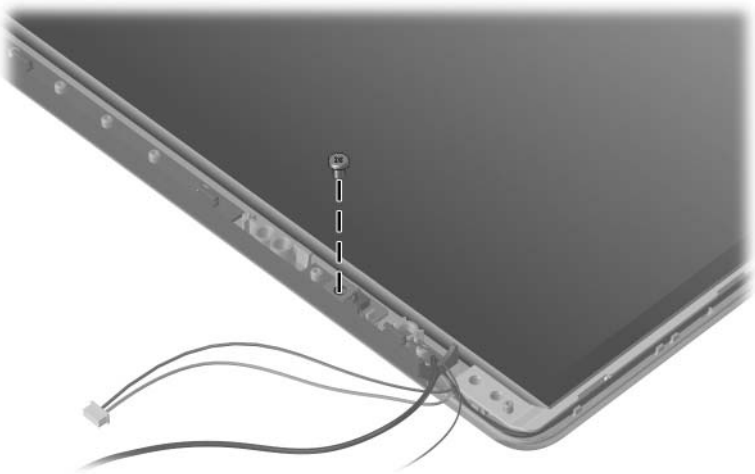
*Black Phillips PM2.5×5.0 Screw Locations*

**Table A-3**  
**Black Phillips PM2.5×5.0 Screw (Continued)**

	Color	Qty.	Length	Thread	Head Width
	Black	13	5.0 mm	2.5 mm	4.0 mm

**Where used:**

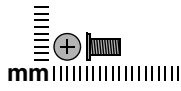
One screw that secures the display lid switch module to the display enclosure (documented in [Section 5.12](#))



*Black Phillips PM2.5×5.0 Screw Location*

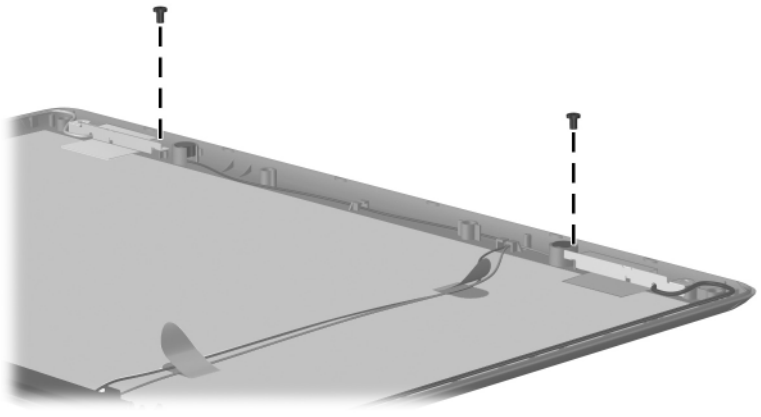


**Table A-3**  
**Black Phillips PM2.5×5.0 Screw (Continued)**

	Color	Qty.	Length	Thread	Head Width
	Black	13	5.0 mm	2.5 mm	4.0 mm

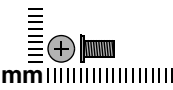
**Where used:**

2 screws that secure the wireless antenna transceivers to the display enclosure (documented in [Section 5.12](#))



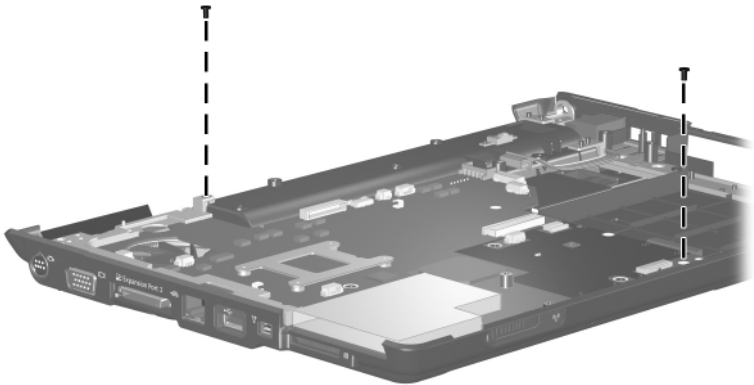
*Black Phillips PM2.5×5.0 Screw Locations*

**Table A-3**  
**Black Phillips PM2.5×5.0 Screw (Continued)**

	Color	Qty.	Length	Thread	Head Width
	Black	13	5.0 mm	2.5 mm	4.0 mm

**Where used:**

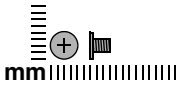
2 screws that secure the system board to the computer (documented in [Section 5.21](#))



*Black Phillips PM2.5×5.0 Screw Locations*

**Table A-4**  
**Phillips PM2.0×3.0 Screw**

---



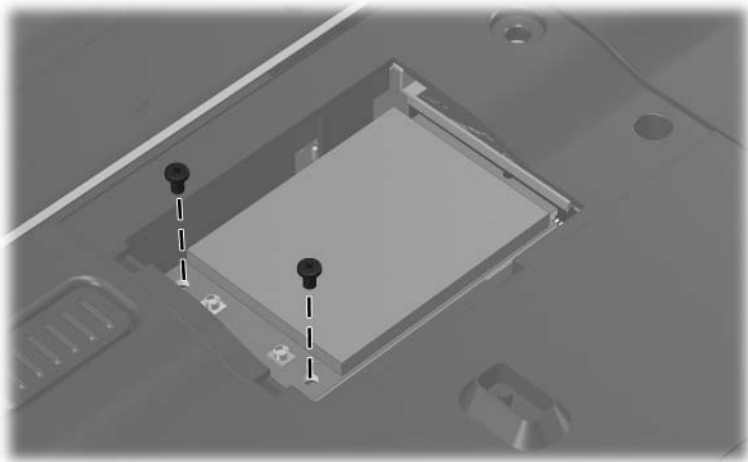
Color	Qty.	Length	Thread	Head Width
Black	15	3.0 mm	2.0 mm	4.0 mm

---

**Where used:**

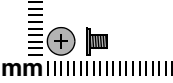
2 screws that secure the Mini Card module to the computer (documented in [Section 5.8](#))

---



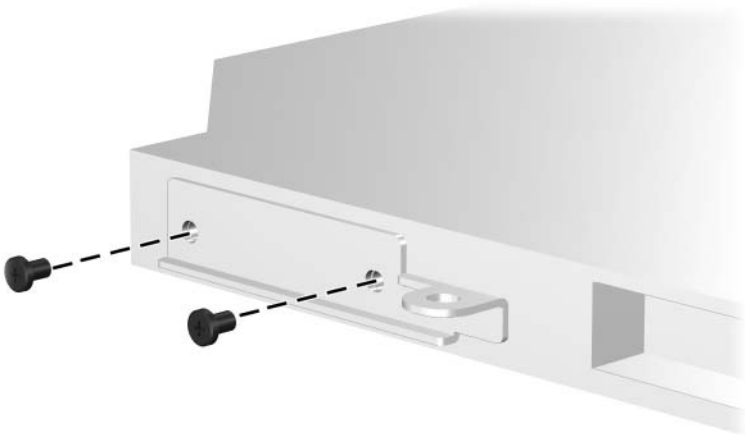
*Phillips PM2.0×3.0 Screw Locations*

**Table A-4**  
**Phillips PM2.0×3.0 Screw (Continued)**

	Color	Qty.	Length	Thread	Head Width
	Black	15	3.0 mm	2.0 mm	4.0 mm

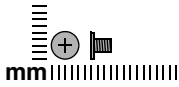
**Where used:**

2 screws that secure the optical drive bracket to the optical drive (documented in [Section 5.9](#))



*Phillips PM2.0×3.0 Screw Locations*

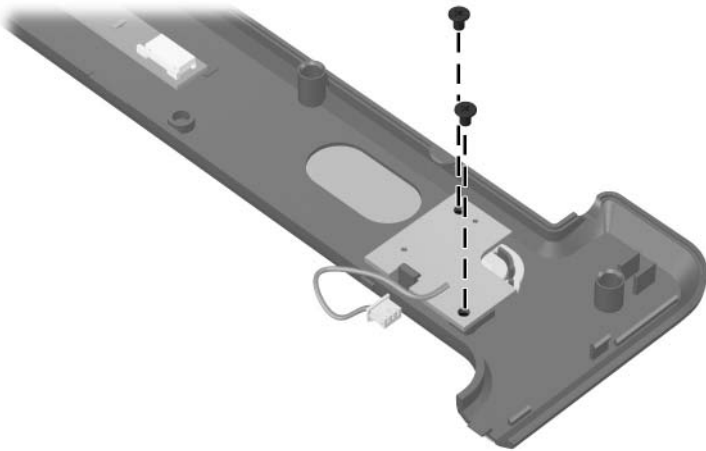
**Table A-4**  
**Phillips PM2.0x3.0 Screw (Continued)**



Color	Qty.	Length	Thread	Head Width
Black	15	3.0 mm	2.0 mm	4.0 mm

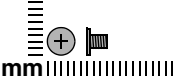
**Where used:**

2 screws that secure the power button board to the switch cover (documented in [Section 5.11](#))



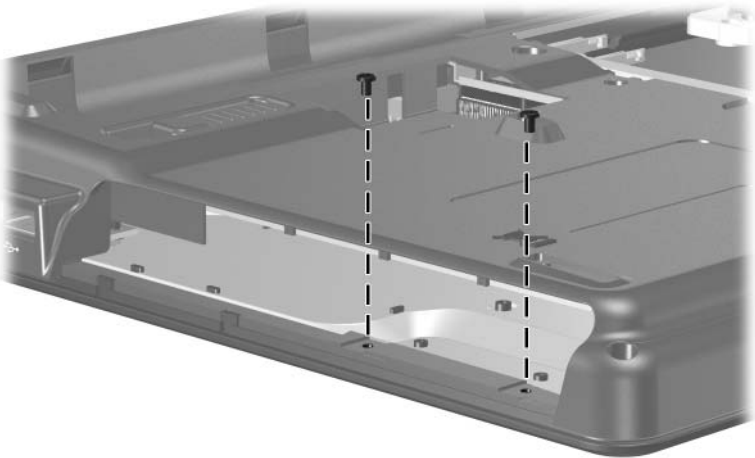
*Phillips PM2.0x3.0 Screw Locations*

**Table A-4**  
**Phillips PM2.0×3.0 Screw (Continued)**

	Color	Qty.	Length	Thread	Head Width
	Black	15	3.0 mm	2.0 mm	4.0 mm

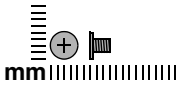
**Where used:**

2 screws that secure the top cover to the computer (documented in [Section 5.13](#))



*Phillips PM2.0×3.0 Screw Locations*

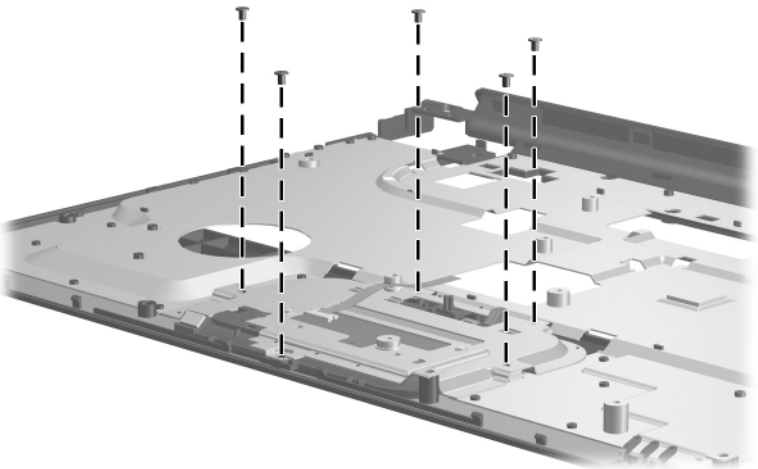
**Table A-4**  
**Phillips PM2.0x3.0 Screw (Continued)**



Color	Qty.	Length	Thread	Head Width
Black	15	3.0 mm	2.0 mm	4.0 mm

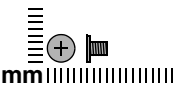
**Where used:**

5 screws that secure the TouchPad to the top cover (documented in [Section 5.14](#))



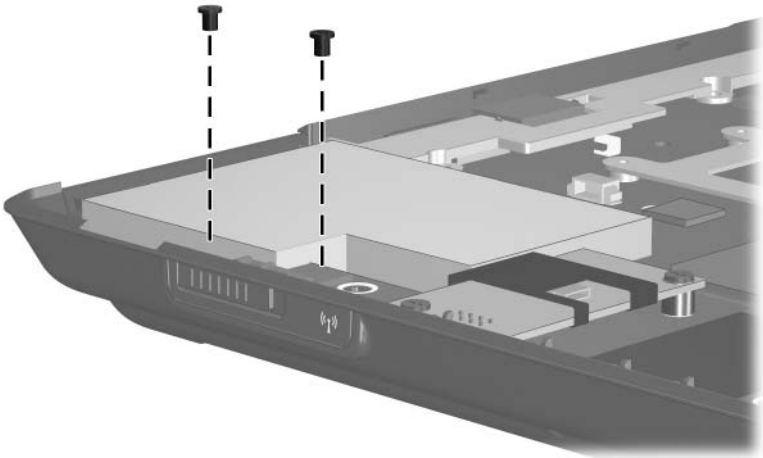
*Phillips PM2.0x3.0 Screw Locations*

**Table A-4**  
**Phillips PM2.0×3.0 Screw (Continued)**

	Color	Qty.	Length	Thread	Head Width
	Black	15	3.0 mm	2.0 mm	4.0 mm

**Where used:**

2 screws that secure the wireless switch board to the computer (documented in [Section 5.15](#))

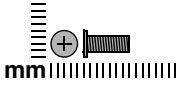


*Phillips PM2.0×3.0 Screw Locations*



**Table A-5**  
**Phillips PM2.5×7.0 Screw**

---



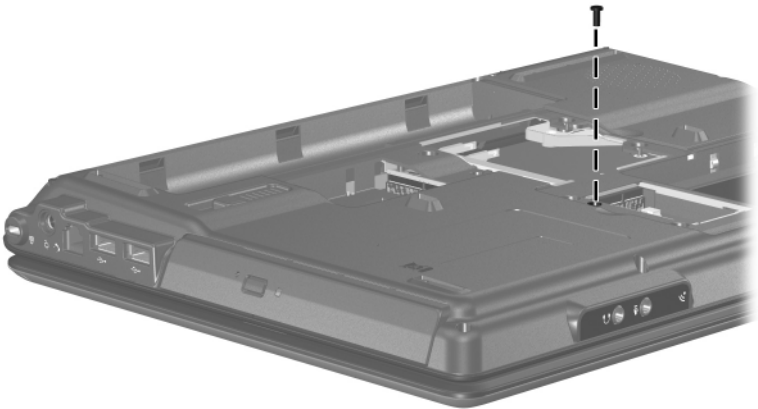
Color	Qty.	Length	Thread	Head Width
Black	18	7.0 mm	2.5 mm	4.0 mm

---

**Where used:**

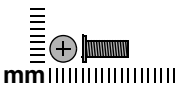
One screw that secures the optical drive to the computer (documented in [Section 5.9](#))

---



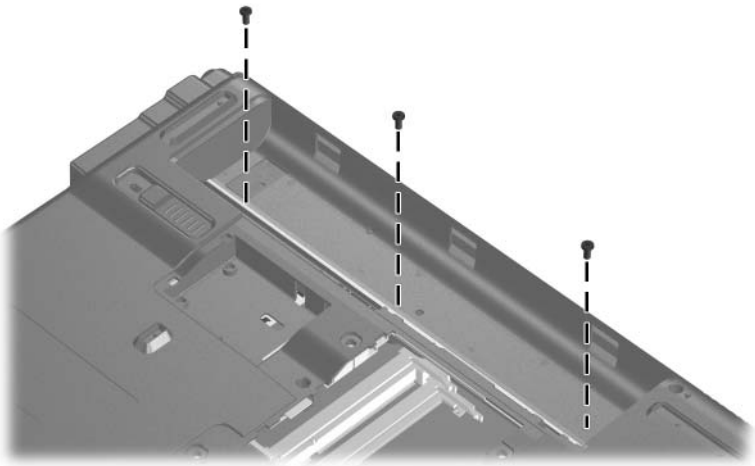
*Phillips PM2.5×7.0 Screw Location*

**Table A-5**  
**Phillips PM2.5x7.0 Screw (Continued)**

	Color	Qty.	Length	Thread	Head Width
	Black	18	7.0 mm	2.5 mm	4.0 mm

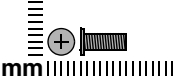
**Where used:**

3 screws that secure the keyboard to the computer (documented in [Section 5.10](#))



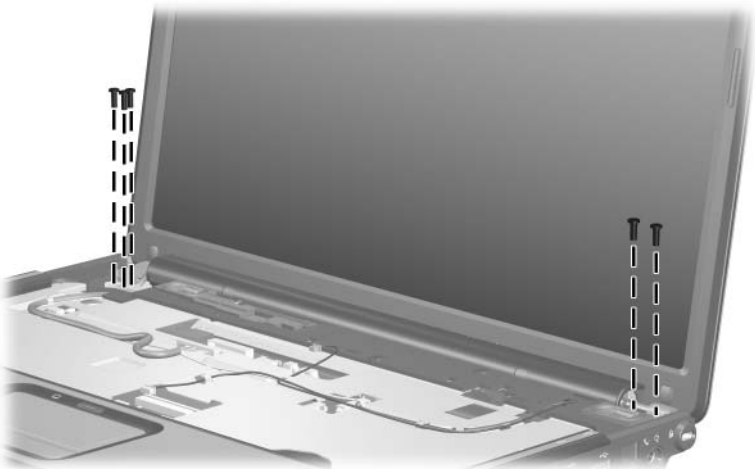
*Phillips PM2.5x7.0 Screw Locations*

**Table A-5**  
**Phillips PM2.5x7.0 Screw (Continued)**

	Color	Qty.	Length	Thread	Head Width
	Black	18	7.0 mm	2.5 mm	4.0 mm

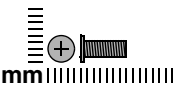
**Where used:**

5 screws that secure the display assembly to the computer (documented in [Section 5.12](#))



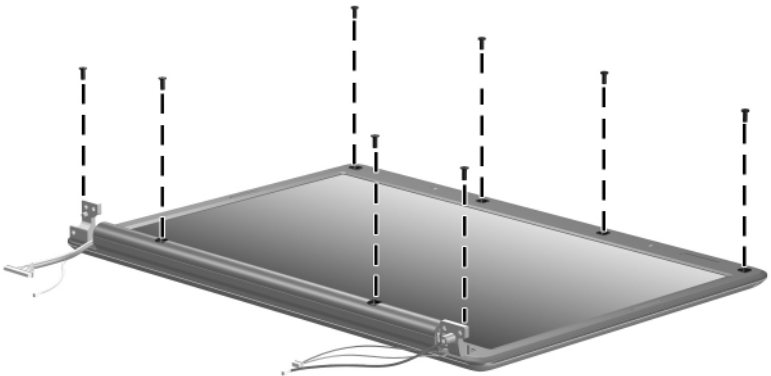
*Phillips PM2.5x7.0 Screw Locations*

**Table A-5**  
**Phillips PM2.5×7.0 Screw (Continued)**

	Color	Qty.	Length	Thread	Head Width
	Black	18	7.0 mm	2.5 mm	4.0 mm

**Where used:**

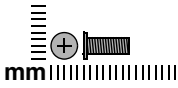
8 screws that secure the display bezel to the display assembly (documented in [Section 5.12](#))



*Phillips PM2.5×7.0 Screw Locations*

**Table A-5**  
**Phillips PM2.5x7.0 Screw (Continued)**

---



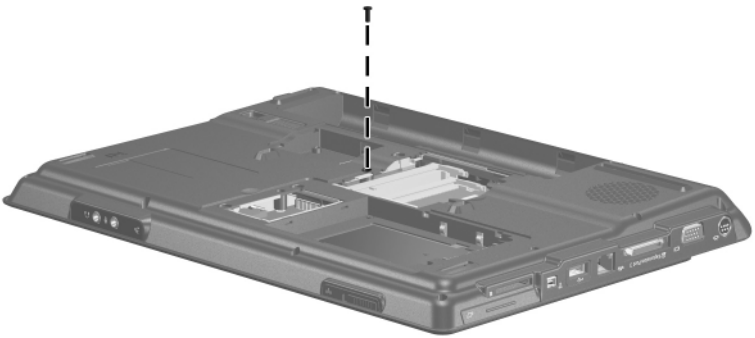
Color	Qty.	Length	Thread	Head Width
Black	18	7.0 mm	2.5 mm	4.0 mm

---

**Where used:**

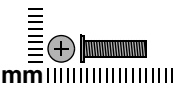
One screw that secures the top cover to the computer (documented in [Section 5.13](#))

---



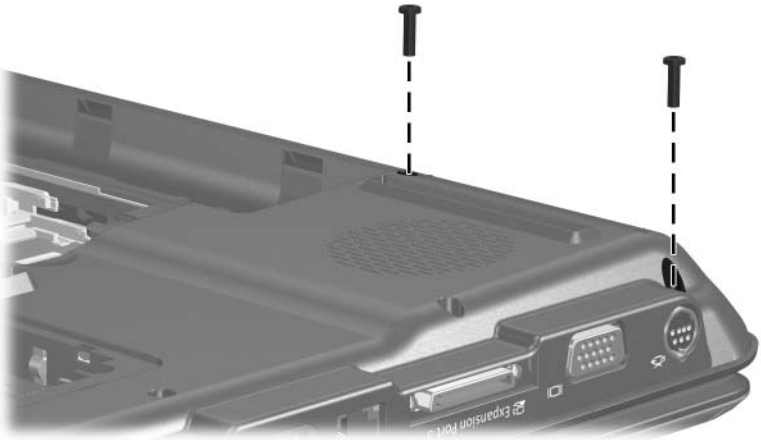
*Phillips PM2.5x7.0 Screw Location*

**Table A-6**  
**Phillips PM2.5×9.0 Screw**

	Color	Qty.	Length	Thread	Head Width
	Black	10	9.0 mm	2.5 mm	4.0 mm

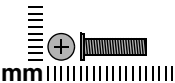
**Where used:**

2 screws that secure the switch cover to the computer (documented in [Section 5.11](#))



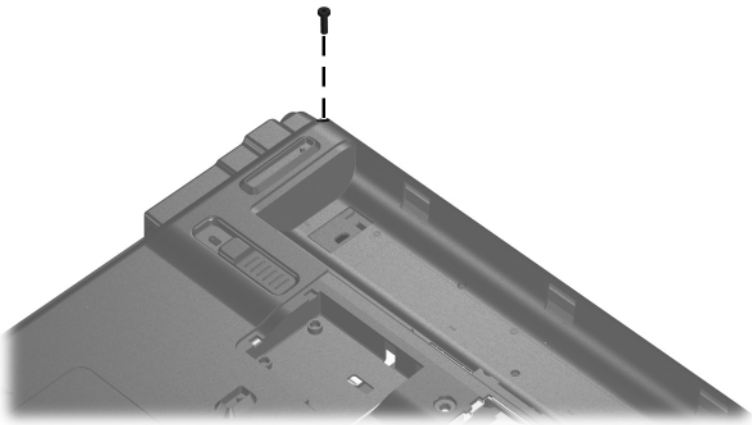
*Phillips PM2.5×9.0 Screw Locations*

**Table A-6**  
**Phillips PM2.5×9.0 Screw (Continued)**

	Color	Qty.	Length	Thread	Head Width
	Black	10	9.0 mm	2.5 mm	4.0 mm

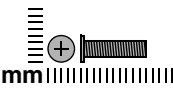
**Where used:**

One screw that secures the display assembly to the computer (documented in [Section 5.12](#))



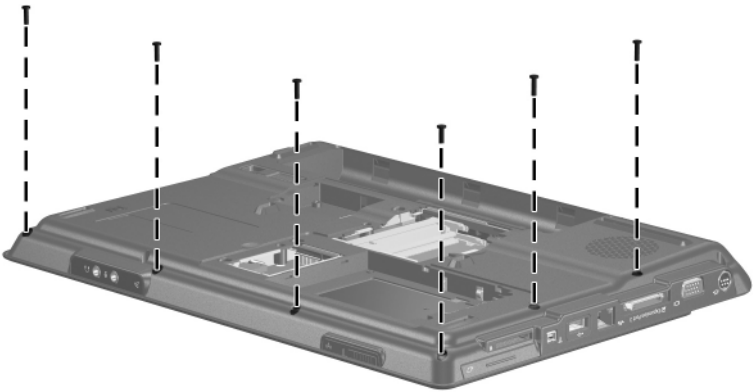
*Phillips PM2.5×9.0 Screw Location*

**Table A-6**  
**Phillips PM2.5×9.0 Screw (Continued)**

	Color	Qty.	Length	Thread	Head Width
	Black	10	9.0 mm	2.5 mm	4.0 mm

**Where used:**

6 screws that secure the top cover to the computer (documented in [Section 5.13](#))

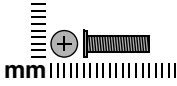


*Phillips PM2.5×9.0 Screw Locations*



**Table A-6**  
**Phillips PM2.5×9.0 Screw (Continued)**

---



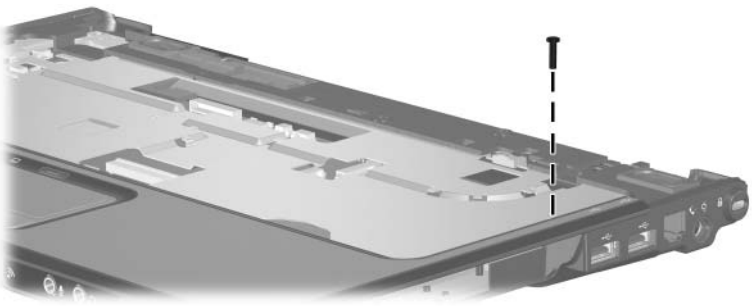
Color	Qty.	Length	Thread	Head Width
Black	10	9.0 mm	2.5 mm	4.0 mm

---

**Where used:**

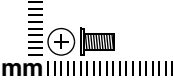
One screw that secures the top cover to the computer (documented in [Section 5.13](#))

---



*Phillips PM2.5×9.0 Screw Location*

**Table A-7**  
**Silver Phillips PM2.5x5.0 Screw**

	Color	Qty.	Length	Thread	Head Width
	Silver	3	5.0 mm	2.5 mm	4.0 mm

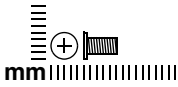
**Where used:**

One screw that secures the switch cover to the computer (documented in [Section 5.11](#))



*Silver Phillips PM2.5x5.0 Screw Location*

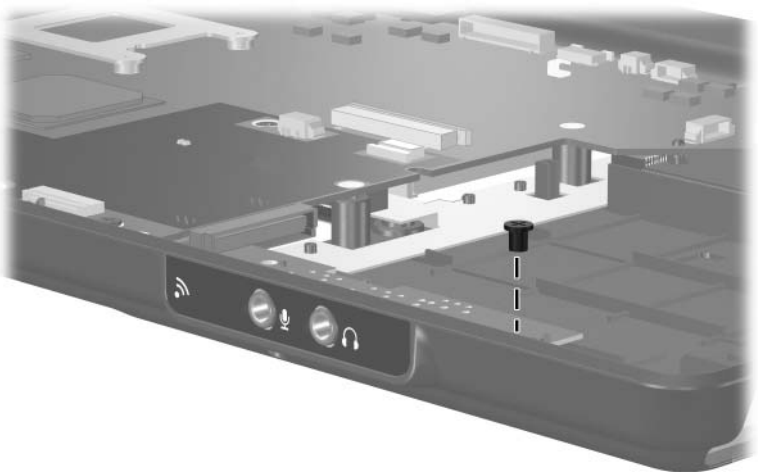
**Table A-7**  
**Silver Phillips PM2.5×5.0 Screw (Continued)**



Color	Qty.	Length	Thread	Head Width
Silver	3	5.0 mm	2.5 mm	4.0 mm

**Where used:**

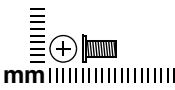
One screw that secures the audio/infrared board to the computer (documented in [Section 5.17](#))



*Silver Phillips PM2.5×5.0 Screw Location*

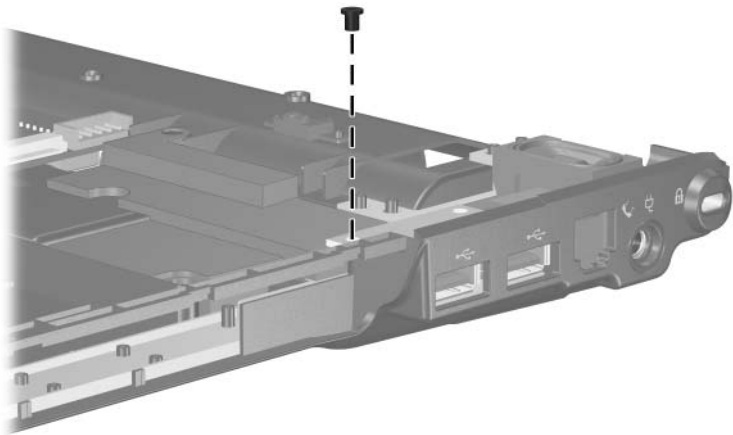
Table A-7

Silver Phillips PM2.5×5.0 Screw (*Continued*)

	Color	Qty.	Length	Thread	Head Width
	Silver	3	5.0 mm	2.5 mm	4.0 mm

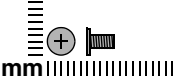
**Where used:**

One screw that secures the USB board to the computer (documented in [Section 5.19](#))



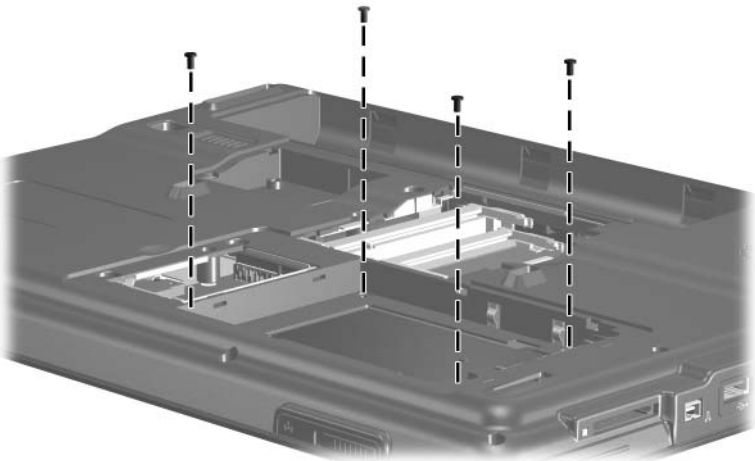
Silver Phillips PM2.5×5.0 Screw Location

**Table A-8**  
**Phillips PM2.0x4.0 Screw**

	Color	Qty.	Length	Thread	Head Width
	Black	10	4.0 mm	2.5 mm	4.0 mm

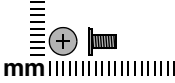
**Where used:**

4 screws that secure the top cover to the computer (documented in [Section 5.13](#))



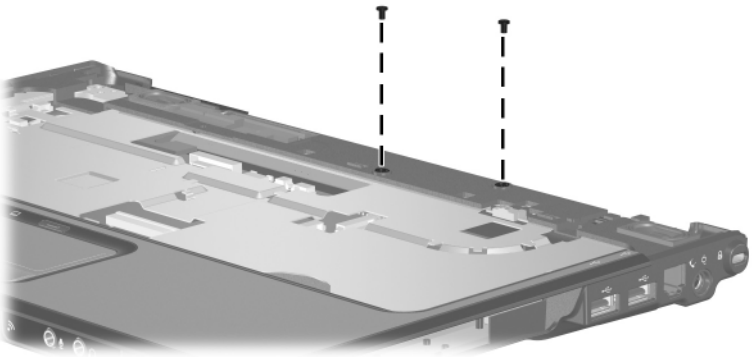
*Phillips PM2.0x4.0 Screw Locations*

**Table A-8**  
**Phillips PM2.0x4.0 Screw (Continued)**

	Color	Qty.	Length	Thread	Head Width
	Black	10	4.0 mm	2.5 mm	4.0 mm

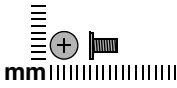
**Where used:**

2 screws that secure the top cover to the computer (documented in [Section 5.13](#))



*Phillips PM2.0x4.0 Screw Locations*

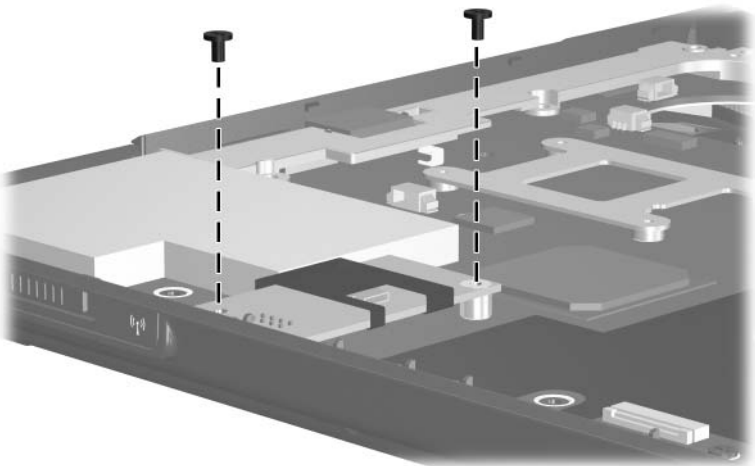
**Table A-8**  
**Phillips PM2.0x4.0 Screw (Continued)**



Color	Qty.	Length	Thread	Head Width
Black	10	4.0 mm	2.5 mm	4.0 mm

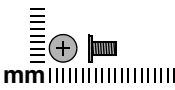
**Where used:**

2 screws that secure the modem module to the computer (documented in [Section 5.16](#))



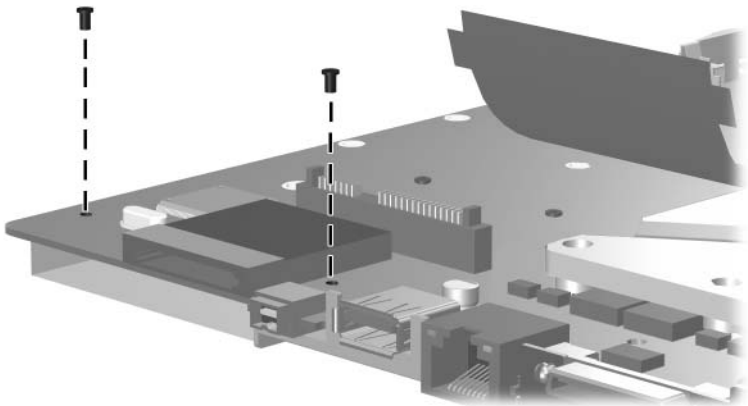
*Phillips PM2.0x4.0 Screw Locations*

**Table A-8**  
**Phillips PM2.0×4.0 Screw (Continued)**

	Color	Qty.	Length	Thread	Head Width
	Black	10	4.0 mm	2.5 mm	4.0 mm

**Where used:**

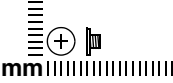
2 screws that secure the ExpressCard assembly to the system board  
 (documented in [Section 5.22](#))



*Phillips PM2.0×4.0 Screw Locations*

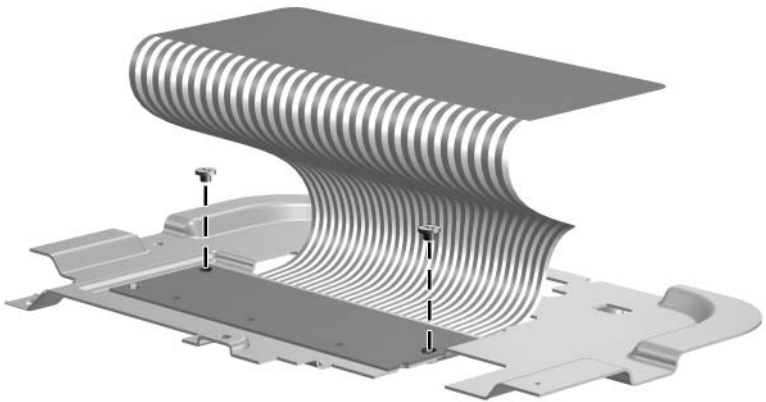


**Table A-9**  
**Phillips PM2.0×2.0 Screw**

	Color	Qty.	Length	Thread	Head Width
	Silver	2	2.0 mm	2.0 mm	4.0 mm

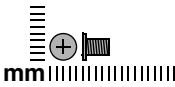
**Where used:**

2 screws that secure the TouchPad board to the TouchPad bracket (documented in [Section 5.14](#))



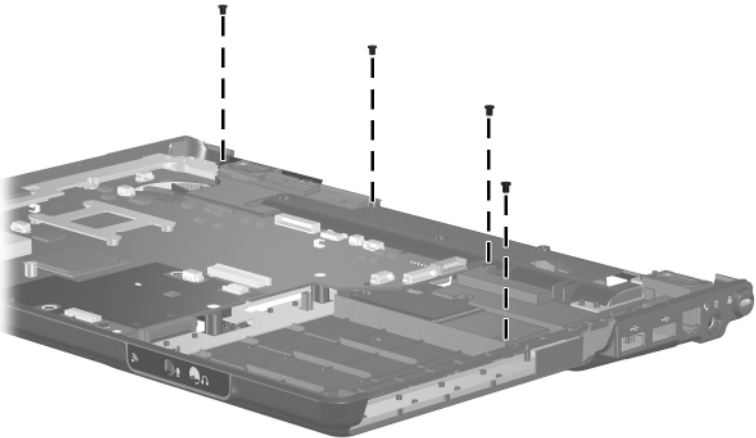
*Phillips PM2.0×2.0 Screw Locations*

**Table A-10**  
**Phillips PM2.5×4.0 Screw**

	Color	Qty.	Length	Thread	Head Width
	Black	4	4.0 mm	2.5 mm	4.0 mm

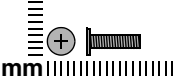
**Where used:**

4 screws that secure the speaker assembly to the computer (documented in [Section 5.20](#))



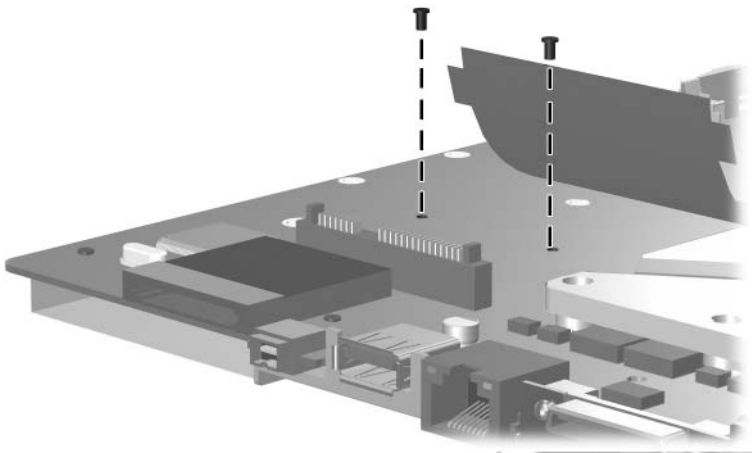
*Phillips PM2.5×4.0 Screw Locations*

**Table A-11**  
**Phillips PM2.0x8.0 Screw**

	Color	Qty.	Length	Thread	Head Width
	Black	2	8.0 mm	2.0 mm	4.0 mm

**Where used:**

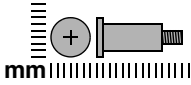
2 screws that secure the ExpressCard assembly to the system board  
 (documented in [Section 5.22](#))



*Phillips PM2.0x8.0 Screw Locations*

Table A-12

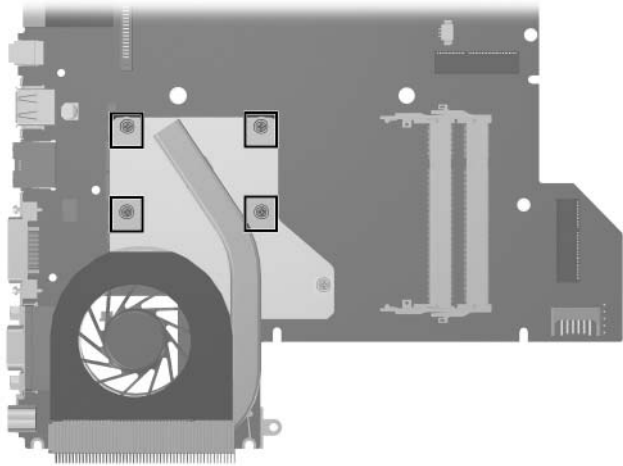
## Phillips PM2.0x13.0 Spring-Loaded Shoulder Screw



Color	Qty.	Length	Thread	Head Width
Silver	8	13.0 mm	2.0 mm	4.0 mm

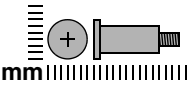
**Where used:**

4 screws that secure the fan/heat sink assembly to the system board on computer models using Intel processors (documented in [Section 5.23](#))



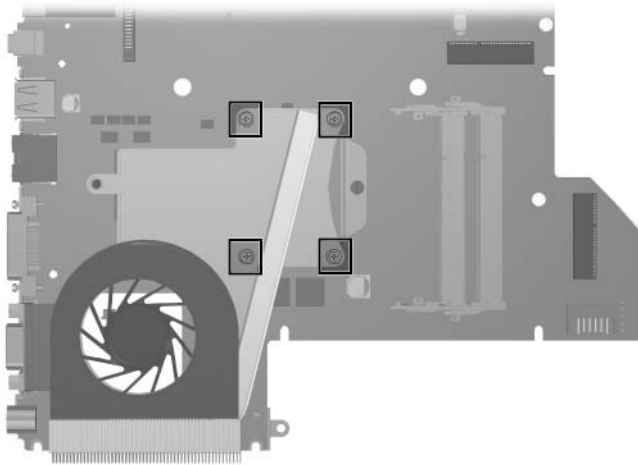
*Phillips PM2.0x13.0 Spring-Loaded Shoulder Screw Locations*

**Table A-12**  
**Phillips PM2.0×13.0 Spring-Loaded Shoulder Screw**  
**(Continued)**

	Color	Qty.	Length	Thread	Head Width
	Silver	8	13.0 mm	2.0 mm	4.0 mm

**Where used:**

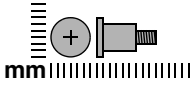
4 screws that secure the fan/heat sink assembly to the system board on computer models using AMD processors (documented in [Section 5.23](#))



*Phillips PM2.0×13.0 Spring-Loaded Shoulder Screw Locations*

Table A-13

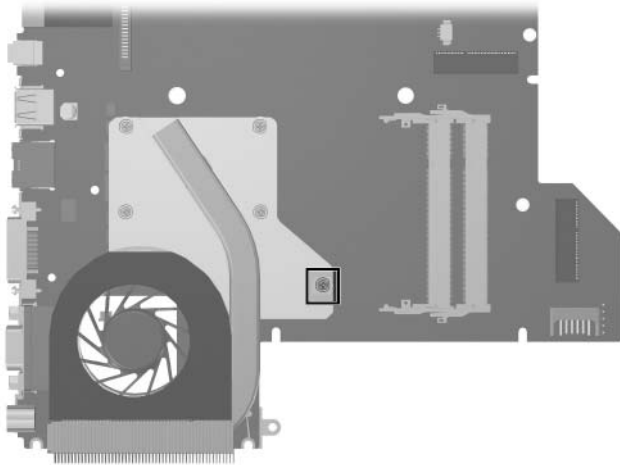
## Phillips PM2.0×9.0 Spring-Loaded Shoulder Screw



Color	Qty.	Length	Thread	Head Width
Silver	2	9.0 mm	2.0 mm	4.0 mm

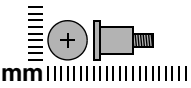
**Where used:**

One screw that secures the fan/heat sink assembly to the system board on computer models using Intel processors (documented in [Section 5.23](#))



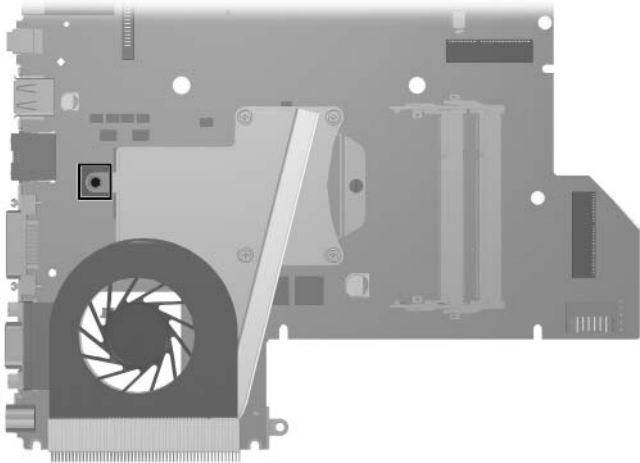
Phillips PM2.0×9.0 Spring-Loaded Shoulder Screw Location

**Table A-13**  
**Phillips PM2.0×9.0 Spring-Loaded Shoulder Screw**  
*(Continued)*

 mm	Color	Qty.	Length	Thread	Head Width
	Silver	2	9.0 mm	2.0 mm	4.0 mm

**Where used:**

One screw that secures the fan/heat sink assembly to the system board on computer models using AMD processors (documented in [Section 5.23](#))



*Phillips PM2.0×9.0 Spring-Loaded Shoulder Screw Location*

---

## Backup and Recovery in Windows XP

### Recovering System Information

Tools provided by the operating system and PC Recovery software are designed to help you with the following tasks for safeguarding your information and restoring it in case of a system failure:

- Backing up your information regularly to protect your important system files.
- Making a set of recovery discs (PC Recovery software feature). Recovery discs are used to start up (boot) your computer and restore the operating system and software programs to factory settings in case of system failure or instability.
- Creating system restore points (operating system feature). System restore points allow you to reverse undesirable changes to your computer by restoring the computer to an earlier state.
- Recovering a program or driver (PC Recovery software feature). This feature helps you reinstall a program or driver without performing a full system recovery.
- Performing a full system recovery (PC Recovery software feature). With PC Recovery, you can recover your full factory image if you experience system failure or instability. PC Recovery works from a dedicated recovery partition on the hard drive or from recovery discs you create.



## Backing Up Your Information

### When to Back Up

- On a regularly scheduled basis



---

Set reminders to back up your information periodically.

---

- Before the computer is repaired or restored
- Before you add or modify hardware or software

### Backup Suggestions

- Create system restore points using Windows XP Professional System Restore feature.
- Store personal files in the My Documents folder and back up these folders periodically.
- Back up templates stored in their associated programs.
- Save customized settings in a window, toolbar, or menu bar by taking a screen shot of your settings.

The screen shot can be a time saver if you have to reset your preferences.

To copy the screen and paste it into a Word document:

- a. Display the screen.
- b. Copy the screen:

To copy only the active window, press **alt+fn+prt sc**.

To copy the entire screen, press **fn+prt sc**.

- c. To paste the copied images into a document, open Word, and then select **Edit > Paste**.

## Using System Restore Points

When you back up your system, you are creating a system restore point. A system restore point allows you to save and name a snapshot of your hard drive at a specific point in time. You can then recover back to that point if you want to reverse subsequent changes made to your system.



---

Recovering to an earlier restore point does not affect data files saved or e-mails created since the last restore point.

---

You also can create additional restore points to provide increased protection for your system files and settings.

### When to Create Restore Points

- Before you add or extensively modify software or hardware.
- Periodically, whenever the system is performing optimally.



---

If you revert to a restore point and then change your mind, you can reverse the restoration.

---

### Creating a System Restore Point

1. Select **Start > Help and Support > System Restore**.  
The System Restore window opens.
2. Click **Create a restore point**, and then click **Next**.
3. Follow the on-screen instructions.

## Restoring to a Previous Date and Time

To revert to a restore point (created at a previous date and time), when the computer was functioning optimally:

1. Select **Start > Help and Support > System Restore**.  
The System Restore window opens.
2. Click **Restore my computer to an earlier time**, and then click **Next**.
3. Follow the on-screen instructions.

## Creating Recovery Discs

PC Recovery Disc Creator creates a set of recovery CDs or DVDs for the computer. Use recovery discs to restore the operating system and software programs to factory settings, in case of system failure or instability.



Handle these discs carefully and keep them in a safe place. The software allows the creation of only one set of recovery discs.

---

Note the following guidelines before creating recovery discs:

- You will need high quality CD-R, DVD-R, or DVD+R media (purchased separately).
- 



DVD±RW/R and double-layer DVD±RW are not compatible with the PC Recovery Disc Creator software.

---

- The computer must be connected to AC power during this process.
- Only one set of recovery discs can be created per computer.

- Number each disc before inserting it into the computer optical drive.
- If necessary, you can exit the program before you have finished creating the recovery discs. The next time you open PC Recovery Disc Creator, you will be prompted to continue the disc creation process.

To create a set of recovery discs:

1. Select **Start > All Programs > System Recovery > PC Recovery Disc Creator**.

The PC Recovery Disc Creator tool opens.

2. Click **Next**.



If you are operating the computer on battery power, you will be prompted to connect to AC power before you can go to the next step.

---

3. Select the type of disc you want to use and click **Next**.
- 



The software examines the image and displays the number of blank discs needed to create your recovery discs.

---

4. Insert the first disc and follow the on-screen instructions to complete the creation of the recovery discs.

## Reinstalling Software Programs and Drivers

If a program or driver preinstalled at the factory is accidentally erased or is damaged, the Application and Driver Recovery tool allows you to reinstall it.

---



Software not provided with this computer must be reinstalled from the disc provided by the manufacturer or downloaded from the manufacturer's Web site.

---



Before reinstalling the program, be sure it is fully uninstalled.

---

The Application and Driver Recovery tool replaces corrupted system files and reinstalls deleted system files within the program.

- In most cases, if the program you are reinstalling is still on your computer, the reinstallation process does not affect your personal settings.
- In all cases, if a program has been deleted from your computer, the reinstallation process reinstalls the program or utility to the factory image but cannot restore your personal settings.

## Reinstalling Preinstalled Programs and Drivers

1. Remove the program or driver:
- 



In some cases, drivers are not listed in the Add or Remove Programs list. If the driver is not listed, it does not need to be removed.

---

- a. Select **Start > Control Panel > Add or Remove Programs**.
- b. Click the program or driver you want to remove, and then click **Change/Remove**.

2. Select **Start > All Programs > System Recovery > Application and Driver Recovery**.

The Application and Driver Recovery tool opens.

3. Select **Application Installation or Driver Installation**, and then click **Next**.
4. Follow the on-screen instructions to complete the program or driver recovery.
5. Restart the computer if prompted.

## Reinstalling Programs from Discs

1. Insert the disc into the optical drive.
2. When the installation wizard opens, follow the installation instructions on the screen.
3. Restart the computer if prompted.

## Performing a Recovery

PC Recovery software allows you to repair or restore the system if you experience system failure or instability. PC Recovery works from recovery discs that you create or from a dedicated recovery partition on the hard drive.

---



Microsoft Windows XP has its own built-in repair features, such as System Restore and driver roll-back capabilities. If you have not already tried these features, try them before using PC Recovery.

---



PC Recovery only recovers software that was preinstalled at the factory. Software not provided with this computer must be reinstalled from the disc provided by the manufacturer or downloaded from the manufacturer's Web site.

---

## Recovering from the Recovery Discs

To restore the system from the recovery discs:

1. Back up all personal files.
2. Insert the first recovery disc into the optical drive and restart the computer.
3. Follow the on-screen instructions.

## Recovering from the Partition on the Hard Drive

You can perform a recovery from the partition on the hard drive from either the Start button or **f11**.

To restore the system from the partition:

1. Access the PC Recovery tool:
  - ❑ To access PC Recovery from the Start button, select **Start > All Programs > System Recovery > PC Recovery**.
  - ❑ To access PC Recovery from **f11**, restart the computer and press **f11** while the “Press <F11> for recovery” message is displayed on the screen.

The PC Recovery tool opens.

2. Select **PC Recovery** and click **Next**.

The computer restarts and the PC Recovery tool opens.

3. Click **OK**.
4. Follow the on-screen instructions to complete the system recovery.

If you want to perform a *destructive* recovery:



---

A destructive recovery formats the hard drive and restores the computer to its factory state. Select this option only as a last resort.

---

- a. Click **Advanced Options** on the System Recovery screen.
- b. Select **Destructive Recovery** and follow the on-screen instructions.

## Deleting the Recovery Partition on the Hard Drive

The PC Recovery Advanced Options menu provides the option of deleting the recovery partition, which will increase space on the hard drive. Delete the recovery partition only if you have already created recovery discs.



---

**CAUTION:** After you create the recovery discs, you can increase space on the hard drive by deleting the recovery partition. However, doing this is not recommended. If you delete this partition, you will lose any information that is on the partition, including the PC Recovery software. Thereafter, you must use the recovery discs to access PC Recovery software.

---

To delete the recovery partition:

1. If you have not already created recovery discs, create them now.
2. Select **Start > All Programs > System Recovery > PC Recovery**.

The PC Recovery tool opens.

3. Select **PC Recovery** and click **Next**.

The computer restarts and the PC Recovery tools opens.



4. Click **OK**.
5. At the System Recovery screen, click **Advanced Options**.
6. Select **Delete Recovery Partition (not recommended)** and follow the on-screen instructions.

## **Updating Reinstalled Software**

After you perform a system recovery, connect to the Internet to update all reinstalled software.

To access update links for the operating system and other software provided on your computer:

- » Select **Start > Help and Support**.

To update optional software, follow the instructions provided by the software manufacturer. Some programs include an update feature you can access from a Help button or menu within the program.

---

# Backup and Recovery in Windows Vista

## Recovering System Information

Tools provided by the operating system and Recovery Manager software are designed to help you with the following tasks for safeguarding your information and restoring it in case of a system failure:

- Back up your information regularly to protect your important system files.
- Make a set of recovery discs (Recovery Manager software feature). Recovery discs are used to start up (boot) your computer and restore the operating system and software programs to factory settings in case of system failure or instability.
- Create system restore points (operating system feature). System restore points allow you to reverse undesirable changes to your computer by restoring the computer to an earlier state.
- Recover a program or driver (Recovery Manager software feature). This feature helps you reinstall a program or driver without performing a full system recovery.
- Perform a full system recovery (Recovery Manager software feature). With Recovery Manager, you can recover your full factory image if you experience system failure or instability. Recovery Manager works from a dedicated recovery partition on the hard drive or from recovery discs you create.

## Backing up Your Information

### When to Back Up

- On a regularly scheduled basis.



---

Set reminders to back up your information periodically.

---

- Before the computer is repaired or restored.
- Before you add or modify hardware or software.

### Backup Suggestions

- Create system restore points using the Windows System Restore feature.
- Store personal files in the Documents folder and back up these folders periodically.
- Back up templates stored in their associated programs.
- Save customized settings in a window, toolbar, or menu bar by taking a screen shot of your settings.

The screen shot can be a time saver if you have to reset your preferences.

To copy the screen and paste it into a word-processing document:

- a. Display the screen.
- b. Copy the screen:

To copy only the active window, press **alt+fn+prt sc**.

To copy the entire screen, press **fn+prt sc**.

- c. Open a word-processing document, and then select **Edit > Paste**.

## Using System Restore Points

When you back up your system, you are creating a system restore point. A system restore point allows you to save and name a snapshot of your hard drive at a specific point in time. You can then recover back to that point if you want to reverse subsequent changes made to your system.



---

Recovering to an earlier restore point does not affect data files saved or e-mails created since the last restore point.

---

You also can create additional restore points to provide increased protection for your system files and settings.

### When to Create Restore Points

- Before you add or extensively modify software or hardware.
- Periodically, whenever the system is performing optimally.



---

If you revert to a restore point and then change your mind, you can reverse the restoration.

---

### Creating a System Restore Point

1. Select **Start > Control Panel > System and Maintenance > System**.
2. In the left pane, click **System protection**.
3. Click the **System Protection** tab.
4. Under Automatic restore points, select the disk for which you want to create a restore point.
5. Click **Create**.

The System Protection window opens.

6. Follow the on-screen instructions.

## Restoring to a Previous Date and Time

To revert to a restore point (created at a previous date and time), when the computer was functioning optimally, follow these steps:

1. Select **Start > Control Panel > System and Maintenance > System**.
2. In the left pane, click **System protection**.
3. Click the **System Protection** tab.
4. Click the **System Restore** button, and then click **Next**.

The System Restore window opens.

5. Follow the on-screen instructions.

## Creating Recovery Discs

Recovery Manager creates a set of recovery CDs or DVDs for the computer. Use recovery discs to restore the operating system and software programs to factory settings, in case of system failure or instability.



Handle these discs carefully and keep them in a safe place. The software allows the creation of only one set of recovery discs.

---

Note the following guidelines before creating recovery discs:

- You will need high quality CD-R, DVD-R, or DVD+R media (purchased separately).
- 



Formatted DVD } RW discs and DVD } RW double-layer discs are not compatible with the Recovery Manager software.

---

- The computer must be connected to AC power during this process.
- Only one set of recovery discs can be created per computer.
- Number each disc before inserting it into the computer optical drive.

- If necessary, you can exit the program before you have finished creating the recovery discs. The next time you open Recovery Manager, you will be prompted to continue the disc creation process.

To create a set of recovery discs:

1. Select **Start > All Programs > Recovery Manager > Recovery Manager**.  
Recovery Manager opens.
2. Click **Advanced Options**.



If you are operating the computer on battery power, you will be prompted to connect to AC power before you can go to the next step.

---

3. Click **Recovery disc creation**, and then click **Next**.
4. Follow the on-screen instructions.

## Reinstalling Software Programs and Drivers

If a program or driver preinstalled at the factory is accidentally erased or is damaged, Recovery Manager allows you to reinstall it.

---



Software not provided with this computer must be reinstalled from the disc provided by the manufacturer or downloaded from the manufacturer's Web site.

---



Before reinstalling the program, be sure it is fully uninstalled.

---

Recovery Manager replaces corrupted system files and reinstalls deleted system files within the program.

- In most cases, if the program you are reinstalling is still on your computer, the reinstallation process does not affect your personal settings.

- In all cases, if a program has been deleted from your computer, the reinstallation process reinstalls the program or utility to the factory image but cannot restore your personal settings.

## Reinstalling Preinstalled Programs and Drivers

1. Remove the program or driver:



Before reinstalling the program, be sure it is fully uninstalled.

---

- a. Select **Start > Control Panel > Programs > Uninstall a program**.
  - b. Right-click the program or driver you want to remove, and then click **Uninstall**.
2. Reinstall the program or driver:
    - a. Select **Start > All Programs > Recovery Manager > Recovery Manager**.  
Recovery Manager opens.
    - b. Click **Advanced Options**.
    - c. Click either **Software program re-installation** or **Hardware driver re-installation**, and then click **Next**.
    - d. Follow the on-screen instructions.
    - e. Restart the computer if prompted.

## Reinstalling Programs from Discs

1. Insert the disc into the optical drive.
2. When the installation wizard opens, follow the installation instructions on the screen.
3. Restart the computer if prompted.

## Performing a Recovery

Recovery Manager software allows you to repair or restore the system if you experience system failure or instability. Recovery Manager works from recovery discs that you create or from a dedicated recovery partition on the hard drive.



---

Windows has its own built-in repair features, such as System Restore and driver rollback capabilities. If you have not already tried these features, try them before using Recovery Manager.

---



---

Recovery Manager only recovers software that was preinstalled at the factory. Software not provided with this computer must be reinstalled from the disc provided by the manufacturer or downloaded from the manufacturer's Web site.

---

### Recovering from the Recovery Discs

To restore the system from the recovery discs:

1. Back up all personal files.
2. Insert the first recovery disc into the optical drive and restart the computer.
3. Follow the on-screen instructions.

### Recovering from the Partition on the Hard Drive

You can perform a recovery from the partition on the hard drive from either the Start button or **f11**.

To restore the system from the partition, follow these steps:

1. Access Recovery Manager in either of the following ways:
  - Select **Start > All Programs > Recovery Manager > Recovery Manager**.



- Restart the computer and press **f11** while the “Press <F11> for recovery” message is displayed on the screen. Then select **Recovery Manager**.

Recovery Manager opens.

2. Click **Advanced Options**.
3. Click **System recovery**, and then click **Next**.
4. Follow the on-screen instructions.

## Deleting the Recovery Partition on the Hard Drive

The Recovery Manager Advanced Options menu provides the option of deleting the recovery partition, which will increase space on the hard drive. Delete the recovery partition only if you have already created recovery discs.



**CAUTION:** After you create the recovery discs, you can increase space on the hard drive by deleting the recovery partition. However, doing this is not recommended. If you delete this partition, you will lose any information that is on the partition, including Recovery Manager software. Thereafter, you must use the recovery discs to access Recovery Manager software.

---

To delete the recovery partition:

1. If you have not already created recovery discs, create them now.
2. Select **Start > All Programs > Recovery Manager > Recovery Manager**.  
Recovery Manager opens.
3. Click **Advanced Options**.
4. Click **Remove recovery partition**, and then click **Next**.
5. Follow the on-screen instructions.

## **Updating Reinstalled Software**

After you perform a system recovery, connect to the Internet to update all reinstalled software.

To access update links for the operating system and other software provided on your computer:

» Select **Start > Help and Support**.

To update optional software, follow the instructions provided by the software manufacturer. Some programs include an update feature you can access from a Help button or menu within the program.

---

## Display Component Recycling

---



**WARNING:** The backlight contains mercury. Caution should be exercised when removing and handling the backlight to avoid damaging this component and causing exposure to the mercury.

---



**CAUTION:** The procedures in this appendix can result in damage to display components. The only components intended for recycling purposes are the liquid crystal display (LCD) panel and the backlight. Careful handling should be exercised when removing these components.

---



### Materials Disposal

This HP product contains mercury in the display assembly backlight and may require special handling at end-of-life.

Disposal of mercury may be regulated because of environmental considerations. For disposal or recycling information, contact your local authorities or visit the Electronic Industries Alliance (EIA) at <http://www.eiae.org>.

---

This appendix provides disassembly instructions for the display assembly. The display assembly must be disassembled to gain access to the backlight ❶ and the LCD panel ❷.



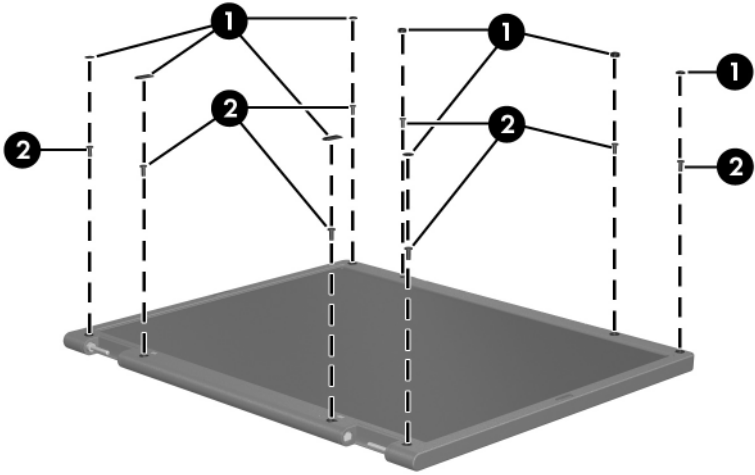
Disassembly procedures differ from one display assembly to another. The procedures provided in this appendix are general disassembly instructions. Specific details, such as screw sizes, quantities, and locations, and component shapes and sizes, can vary from one computer model to another.

Refer to [Section 5.12, “Display Assembly,”](#) for display assembly disassembly steps.

---

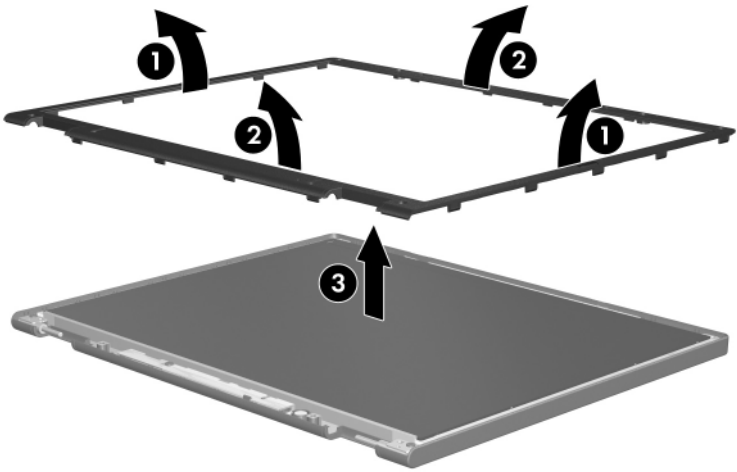
Perform the following steps to disassemble the display assembly:

1. Remove all screw covers **1** and screws **2** that secure the display bezel to the display assembly.



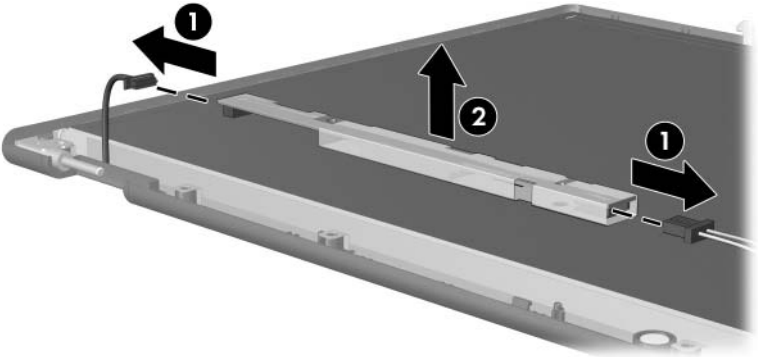
*Removing the Display Bezel Screw Covers and Screws*

- 
2. Lift up and out on the left and right inside edges ① and the top and bottom inside edges ② of the display bezel until the bezel disengages from the display assembly.
3. Remove the display bezel ③.



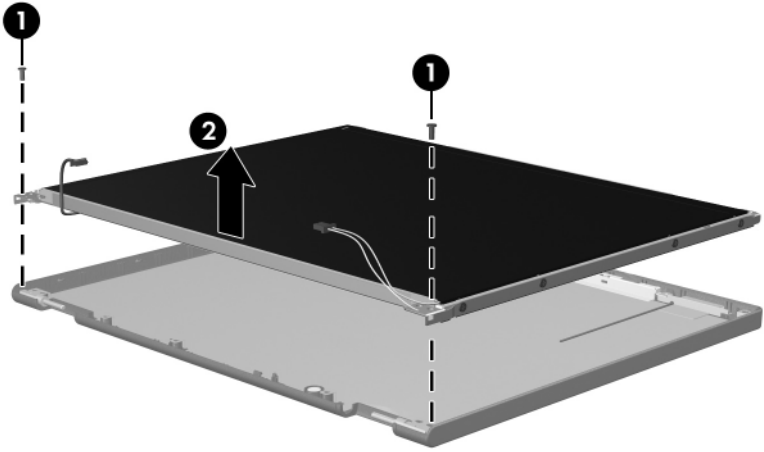
*Removing the Display Bezel*

4. Disconnect all LCD panel cables ❶ from the display inverter board and remove the inverter board ❷.



*Removing the Display Inverter Board*

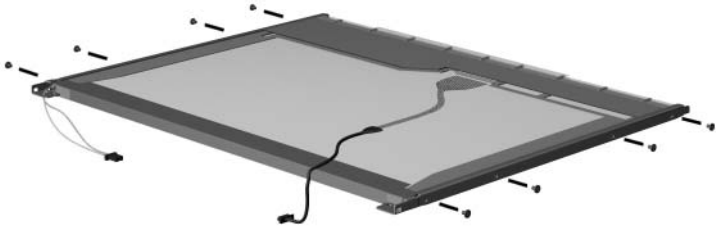
5. Remove all screws ❶ that secure the LCD panel to the display enclosure.
6. Remove the LCD panel ❷ from the display enclosure.



*Removing the LCD Panel*

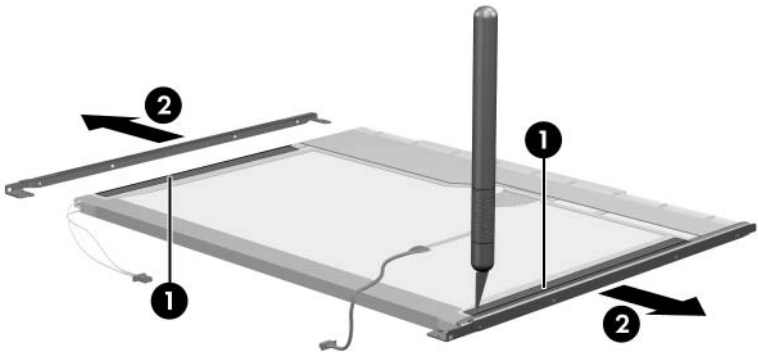


7. Turn the LCD panel upside down.
8. Remove all screws that secure the LCD panel frame to the LCD panel.



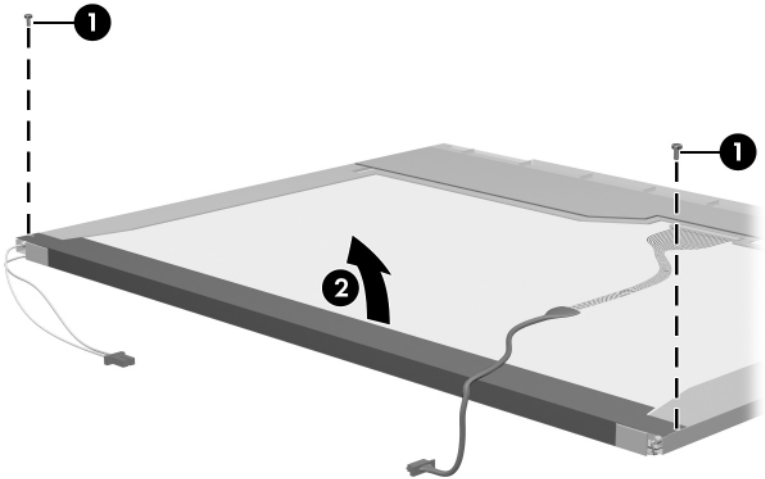
*Removing the LCD Panel Frame Screws*

9. Use a sharp-edged tool to cut the tape **1** that secures the side of the LCD panel to the LCD panel frame.
10. Remove the LCD panel frame **2** from the display panel.



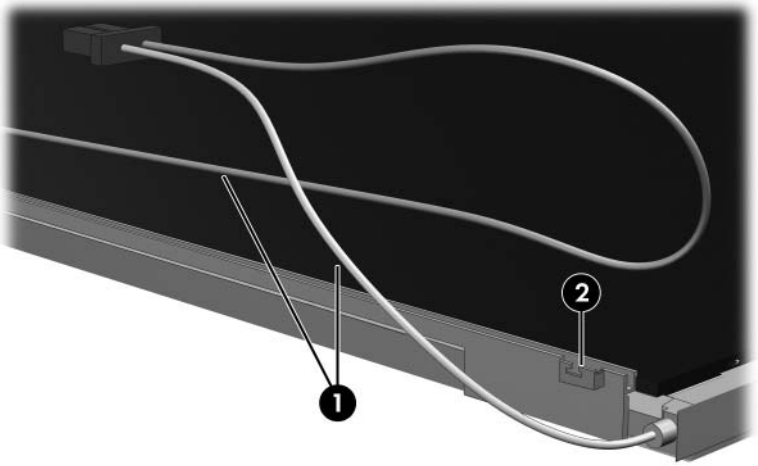
*Removing the LCD Panel Frame*

11. Remove the screws ❶ that secure the backlight cover to the LCD panel.
12. Lift the top edge of the backlight cover ❷ and swing it forward.
13. Remove the backlight cover.



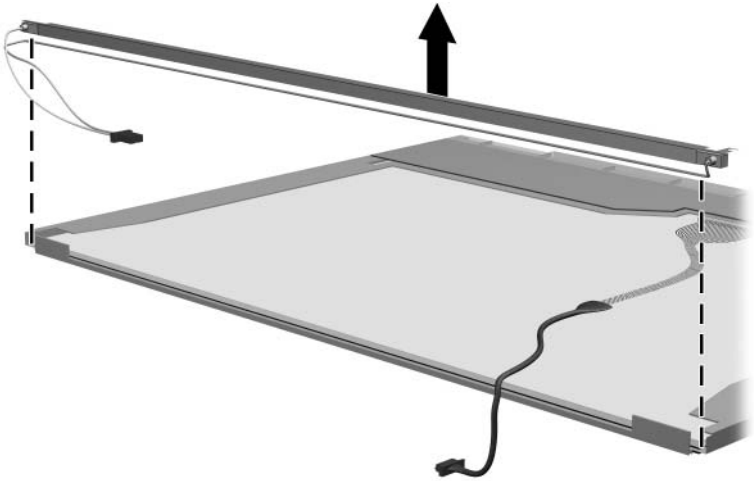
*Removing the Backlight Cover*

14. Turn the LCD panel right-side up.
15. Remove the backlight cables **1** from the clip **2** in the LCD panel.



*Releasing the Backlight Cables*

16. Turn the LCD panel upside down.
17. Remove the backlight frame from the LCD panel.



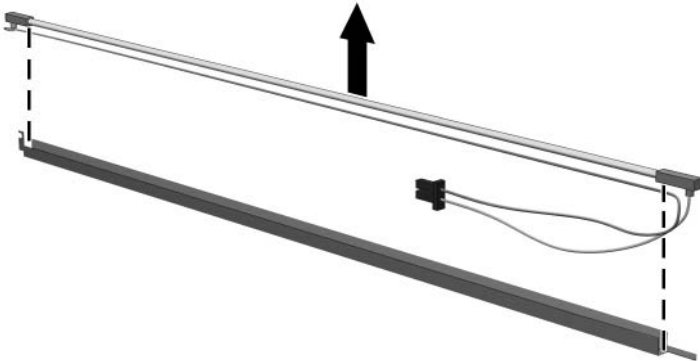
*Removing the Backlight Frame*



**WARNING:** The backlight contains mercury. Caution should be exercised when removing and handling the backlight to avoid damaging this component and causing exposure to the mercury.

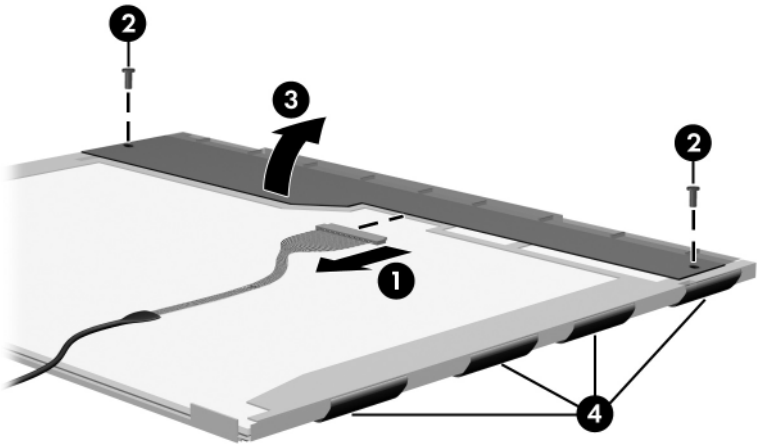
---

18. Slide the backlight out of the backlight frame.



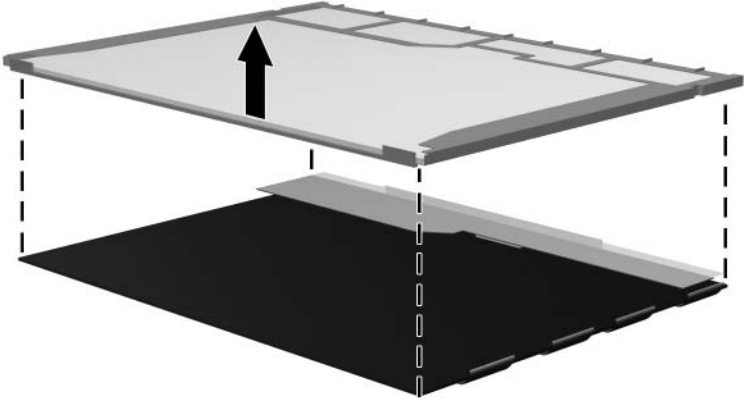
*Removing the Backlight*

19. Disconnect the display cable ❶ from the LCD panel.
20. Remove the screws ❷ that secure the LCD panel to the LCD rear panel.
21. Release the LCD panel ❸ from the LCD rear panel.
22. Release the tape ❹ that secures the LCD panel to the LCD rear panel.



*Releasing the LCD Panel*

23. Remove the LCD panel.



*Removing the LCD Panel*

24. Recycle the backlight and LCD panel.



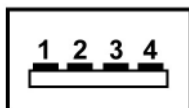
# E

---

## Connector Pin Assignments

---

**Table E-1**  
**Universal Serial Bus**

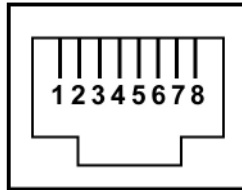


<b>Pin</b>	<b>Signal</b>	<b>Pin</b>	<b>Signal</b>
1	+5 VDC	3	Data +
2	Data -	4	Ground

---

---

**Table E-2**  
**RJ-45 (Network)**



---

<b>Pin</b>	<b>Signal</b>	<b>Pin</b>	<b>Signal</b>
1	Transmit +	5	Unused
2	Transmit –	6	Receive –
3	Receive +	7	Unused
4	Unused	8	Unused

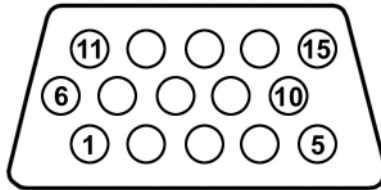
---

**Table E-3**  
**S-Video-Out**



<b>Pin</b>	<b>Signal</b>	<b>Pin</b>	<b>Signal</b>
1	TV-Ground	5	TV-CD
2	TV-CVBS	6	TV-Ground
3	TV-Ground	7	TV-YD
4	TV-Ground		

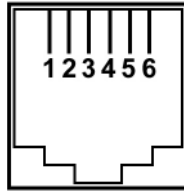
**Table E-4**  
**External Monitor**



Pin	Signal	Pin	Signal
1	Red analog	9	+5 VDC
2	Green analog	10	Ground
3	Blue analog	11	Monitor detect
4	Not connected	12	DDC 2B data
5	Ground	13	Horizontal sync
6	Ground analog	14	Vertical sync
7	Ground analog	15	DDC 2B clock
8	Ground analog		

---

**Table E-5**  
**RJ-11 (Modem)**

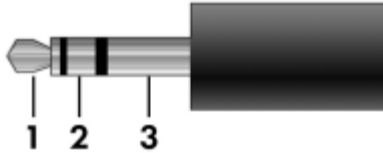


---

<b>Pin</b>	<b>Signal</b>	<b>Pin</b>	<b>Signal</b>
1	Unused	4	Unused
2	Tip	5	Unused
3	Ring	6	Unused

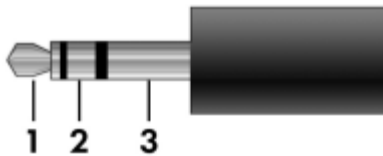
---

**Table E-6**  
**Audio-In (Microphone)**



Pin	Signal	Pin	Signal
1	Audio signal in	3	Ground
2	Audio signal in		

**Table E-7**  
**Audio-Out (Headphone)**



Pin	Signal	Pin	Signal
1	Audio out, left channel	3	Ground
2	Audio out, right channel		

---

## Power Cord Set Requirements

### 3-Conductor Power Cord Set

The wide range input feature of the computer permits it to operate from any line voltage from 100 to 120 or 220 to 240 volts AC.

The power cord set included with the computer meets the requirements for use in the country or region where the equipment is purchased.

Power cord sets for use in other countries or regions must meet the requirements of the country or region where the computer is used.

## General Requirements

The requirements listed below are applicable to all countries or regions.

- The length of the power cord set must be at least 1.5 m (5.0 ft) and a maximum of 2.0 m (6.5 ft).
- All power cord sets must be approved by an acceptable accredited agency responsible for evaluation in the country or region where the power cord set will be used.
- The power cord sets must have a minimum current capacity of 10 amps and a nominal voltage rating of 125 or 250 V AC, as required by each country or region's power system.
- The appliance coupler must meet the mechanical configuration of an EN 60 320/IEC 320 Standard Sheet C13 connector for mating with the appliance inlet on the back of the computer.



## Country/Region-Specific Requirements

### 3-Conductor Power Cord Set Requirements

Country/Region	Accredited Agency	Applicable Note Number
Australia	EANSW	1
Austria	OVE	1
Belgium	CEBC	1
Canada	CSA	2
Denmark	DEMKO	1
Finland	FIMKO	1
France	UTE	1
Germany	VDE	1
Italy	IMQ	1
Japan	METI	3



#### NOTES:

1. The flexible cord must be <HAR> Type HO5VV-F, 3-conductor, 1.0 mm<sup>2</sup> conductor size. Power cord set fittings (appliance coupler and wall plug) must bear the certification mark of the agency responsible for evaluation in the country or region where it will be used.
2. The flexible cord must be Type SPT-3 or equivalent, No. 18 AWG, 3-conductor. The wall plug must be a two-pole grounding type with a NEMA 5-15P (15 A, 125 V) or NEMA 6-15P (15 A, 250 V) configuration.
3. The appliance coupler, flexible cord, and wall plug must bear a "T" mark and registration number in accordance with the Japanese Dentori Law. The flexible cord must be Type VCT or VCTF, 3-conductor, 1.00 mm<sup>2</sup> conductor size. The wall plug must be a two-pole grounding type with a Japanese Industrial Standard C8303 (7 A, 125 V) configuration.

### 3-Conductor Power Cord Set Requirements (*Continued*)

Country/Region	Accredited Agency	Applicable Note Number
Korea	EK	4
The Netherlands	KEMA	1
Norway	NEMKO	1
People's Republic of China	CCC	5
Sweden	SEMKO	1
Switzerland	SEV	1
Taiwan	BSMI	4
United Kingdom	BSI	1
United States	UL	2



**NOTES:**

1. The flexible cord must be <HAR> Type HO5VV-F, 3-conductor, 1.0 mm<sup>2</sup> conductor size. Power cord set fittings (appliance coupler and wall plug) must bear the certification mark of the agency responsible for evaluation in the country or region where it will be used.
2. The flexible cord must be Type SPT-3 or equivalent, No. 18 AWG, 3-conductor. The wall plug must be a two-pole grounding type with a NEMA 5-15P (15 A, 125 V) or NEMA 6-15P (15 A, 250 V) configuration.
3. The appliance coupler, flexible cord, and wall plug must bear a “T” mark and registration number in accordance with the Japanese Dentori Law. The flexible cord must be Type VCT or VCTF, 3-conductor, 1.00 mm<sup>2</sup> conductor size. The wall plug must be a two-pole grounding type with a Japanese Industrial Standard C8303 (7 A, 125 V) configuration.
4. The flexible cord must be Type RVV, 3-conductor, 0.75 mm<sup>2</sup> conductor size. Power cord set fittings (appliance coupler and wall plug) must bear the certification mark of the agency responsible for evaluation in the country or region where it will be used.
5. The flexible cord must be Type VCTF, 3-conductor, 0.75 mm<sup>2</sup> conductor size. Power cord set fittings (appliance coupler and wall plug) must bear the certification mark of the agency responsible for evaluation in the country or region where it will be used.

---

# Index

1394 port 1–10

## A

AC adapter, spare part  
numbers 3–24, 3–29

analog TV tuner, spare part  
number 3–24, 3–28

arrow keys 1–12

audio troubleshooting 2–33

audio/infrared board  
removal 5–54

spare part number 3–7,  
3–34, 5–54

audio-in (microphone) jack  
location 1–7

pin assignments D–6

audio-out (headphone) jack  
location 1–7

pin assignments D–6

## B

backpack, spare part number  
3–24, 3–27

Backup and Recovery  
Windows Vista C–1  
Windows XP B–1

backup suggestions B–2, C–2

base enclosure, spare part  
numbers 3–11, 3–33, 3–34

battery

removal 5–4

spare part number 3–36

spare part numbers 3–11,  
3–31, 3–38, 5–4

specifications 6–6

battery bay 1–17

battery release latch 1–17

Bluetooth module

removal 5–56

spare part number 3–9,  
3–27, 5–56

Bluetooth module cable,  
illustrated 3–23

bottom components 1–17

## C

Cable Kit, spare part number  
3–34

cables, service considerations  
4–2

**caps lock** key 1–12

carrying case, spare part  
number 3–25, 3–33

CMOS clearing 1–5

components

bottom 1–17

front 1–7

- keyboard 1–11
  - left-side 1–9
  - rear 1–9
  - right-side 1–8
  - top 1–13, 1–15
- composite S-Video and audio
  - input cable, spare part number 3–24, 3–27
- computer feet, locations 5–11
- Computer Setup
  - Advanced Menu 2–9, 2–16
  - File Menu 2–7, 2–14
  - Security Menu 2–7, 2–14
  - Tools Menu 2–8, 2–15
- computer specifications 6–1
- connector pin assignments
  - external monitor D–4
  - headphone D–6
  - microphone D–6
  - monitor D–4
  - RJ-11 (modem) D–5
  - RJ-45 (network) D–2
  - S-Video-out D–3
  - Universal Serial Bus (USB) D–1
- connectors, service considerations 4–2
- creating
  - recovery discs
    - Windows Vista C–4
    - Windows XP B–4
  - system restore point
    - Windows Vista C–3
    - Windows XP B–3

**D**

- deleting
  - recovery partition
    - Windows Vista C–8
    - Windows XP B–9
- design overview 1–19
- disassembly sequence chart 5–2
- diskette drive, OS loading problems 2–31
- display assembly
  - removal 5–30
  - spare part number 3–3, 3–30, 5–30
  - specifications 6–3
- display bezel, removal 5–34
- Display Cable Kit, spare part number 3–19, 3–34, 5–41
- Display Hinge Kit, spare part number 3–19, 3–33, 5–37
- display hinge, removal 5–37
- Display Label Kit, spare part number 3–19, 3–33
- display lid switch module
  - removal 5–38
  - spare part number 3–19, 3–35, 5–38
- display panel
  - removal 5–39
  - spare part number 3–19, 3–34, 5–39
- Display Plastics Kit, spare part numbers 3–19, 3–33, 3–34, 5–34
- Display Screw Kit, spare part number 3–19, 3–33

docking device, spare part number 3–24, 3–33  
docking device, troubleshooting 2–26  
drives, preventing damage 4–3  
DVB-T TV tuner antenna, spare part number 3–24, 3–29  
DVB-T TV tuner, spare part number 3–24, 3–29  
DVD/CD-RW Combo Drive  
OS loading problems 2–32  
precautions 4–3  
removal 5–19  
spare part number 3–13, 3–21, 3–31, 5–19  
specifications 6–7  
DVD±RW/R and CD-RW Combo Drive  
OS loading problems 2–32  
precautions 4–3  
removal 5–19  
spare part numbers 3–13, 3–21, 3–31, 5–19  
specifications 6–9

## **E**

electrostatic discharge 4–4, 4–8  
expansion hub, spare part number 3–24, 3–33  
expansion port 3 1–10  
ExpressCard assembly  
removal 5–67  
spare part number 3–7, 3–33, 5–67

ExpressCard slot 1–10  
ExpressCard slot bezel, illustrated 3–22  
external monitor port  
location 1–10  
pin assignments D–4

## **F**

fan/heat sink assembly  
removal 5–70  
spare part numbers 3–11, 3–32, 3–34, 3–35, 5–70  
fan/heat sink assembly mounting bracket  
installing 5–76, 5–77  
spare part number 3–11, 3–33, 5–76, 5–77  
features 1–2  
feet, locations 5–11  
flowcharts, troubleshooting  
no audio 2–33, 2–34  
no network/modem connection 2–38  
no OS loading 2–27  
no OS loading from diskette drive 2–31  
no OS loading from hard drive 2–28, 2–29, 2–30  
no OS loading from optical drive 2–32  
no power 2–20, 2–22, 2–23  
no video 2–24, 2–25  
nonfunctioning device 2–35  
nonfunctioning docking device 2–26

- nonfunctioning keyboard  
2–36
- nonfunctioning pointing  
device 2–37
- fn** key 1–12
- front components 1–7
- function** keys 1–12
- G**
- grounding equipment and  
methods 4–7
- H**
- hard drive
  - OS loading problems 2–28
  - precautions 4–3
  - removal 5–6
  - spare part numbers 3–13,  
3–21, 3–31, 3–34, 3–38,  
5–6
  - specifications 6–4
- hard drive bay 1–17
- hard drive cover
  - illustrated 3–22
  - removal 5–7
- headphone jack
  - location 1–7
  - pin assignments D–6
- headset, spare part number  
3–24, 3–27
- I**
- I/O address specifications  
6–14
- infrared port 1–7
- infrared receiver, spare part  
numbers 3–24, 3–36

- interrupt specifications 6–12
- inverter
  - removal 5–35
  - spare part number 3–19,  
3–33, 5–35

- K**
- keyboard
  - removal 5–21
  - spare part numbers 3–3,  
3–5, 3–31, 3–32, 3–36,  
3–37, 3–38, 5–21
  - troubleshooting 2–36
- keyboard components 1–11
- keypad keys 1–12

- L**
- LED board cable
  - illustrated 3–23
  - removal 5–29
- left-side components 1–9

- M**
- mass storage devices, spare  
part numbers 3–20
- media button 1–14
- memory module
  - removal 5–12
  - spare part numbers 3–13,  
3–30, 5–12
- memory module compartment  
1–18
- memory module compartment  
cover
  - illustrated 3–22
  - removal 5–13
- Memory Reader 1–10

Memory Reader light 1–10  
microphone jack  
    location 1–7  
    pin assignments D–6  
microphone, removal 5–41  
Mini Card compartment 1–18  
Mini Card compartment cover  
    illustrated 3–22  
    removal 5–17  
Mini Card module  
    removal 5–15  
    spare part numbers 3–15,  
    3–17, 3–28, 3–29, 5–15  
Mini Module  
    spare part number 3–36  
modem cable, removal 5–66  
modem jack  
    location 1–8  
    pin assignments D–5  
modem module  
    removal 5–52  
    spare part numbers 3–7,  
    3–32, 3–35, 5–52  
modem, troubleshooting 2–38  
monitor port  
    location 1–10  
    pin assignments D–4  
mouse, spare part number  
    3–24, 3–27, 3–34, 3–35

**N**

network jack  
    location 1–10  
    pin assignments D–2  
network, troubleshooting 2–38

nonfunctioning device,  
    troubleshooting 2–26, 2–35  
**num lock** key 1–12

**O**

optical drive  
    location 1–8, 1–17  
    OS loading problems 2–32  
    precautions 4–3  
    removal 5–19  
    spare part numbers 3–13,  
    3–21, 5–19  
    specifications 6–7

**P**

packing precautions 4–5  
password clearing 1–5  
performing a recovery  
    Windows Vista C–7  
    Windows XP B–7  
plastic parts 4–2  
Plastics Kit  
    contents 3–22  
    spare part number 3–5,  
    3–22, 3–32  
pointing device,  
    troubleshooting 2–37  
power button 1–13  
power button board  
    removal 5–29  
    spare part number 3–3,  
    3–34, 5–29  
power connector 1–8  
power connector cable  
    removal 5–66  
    spare part numbers 3–11,  
    3–34

- power cord
  - set requirements E-2
  - spare part numbers 3-26, 3-27
- power management features 1-6
- power, troubleshooting 2-20
- processor
  - removal 5-78
  - spare part number 3-36
  - spare part numbers 3-9, 3-30, 3-33, 3-34, 3-35, 3-38, 5-78

## **R**

- rear components 1-9
- recovering from partition on hard drive
  - Windows Vista C-7
  - Windows XP B-8
- recovering from the recovery discs
  - Windows Vista C-7
  - Windows XP B-8
- remote control, spare part number 3-24, 3-28
- remote control, spare part numbers 3-24, 3-25, 3-35, 3-36
- removal
  - preliminaries 4-1
  - procedures 5-1
- replacement
  - preliminaries 4-1
  - procedures 5-1

- RF cable, spare part number 3-24, 3-28
- RF input adapter cable, spare part number 3-24, 3-28
- right-side components 1-8
- RJ-11 (modem) jack
  - location 1-8
  - pin assignments D-5
- RJ-45 (network) jack
  - location 1-10
  - pin assignments D-2
- RTC battery
  - removal 5-10
  - spare part number 3-13, 3-32, 5-10
- Rubber Feet Kit, spare part number 3-11, 3-33

## **S**

- Screw Kit, spare part number 3-25, 3-33
- screw listing A-1
- security cable slot 1-8
- serial number 3-1, 5-1
- service considerations 4-2
- Setup Utility 2-1
- speaker assembly
  - removal 5-60
  - spare part number 3-5, 3-32, 5-60
- speakers 1-13
- specifications
  - battery 6-6
  - computer 6-1
  - display 6-3



- DVD/CD-RW Combo
  - Drive 6-7
- DVD±RW/R and CD-RW
  - Combo Drive 6-9
- hard drive 6-4
- I/O addresses 6-14
- interrupts 6-12
- optical drive 6-7
- system DMA 6-11
- static shielding materials 4-8
- S-Video-out jack
  - location 1-10
  - pin assignments D-3
- switch cover
  - removal 5-25
  - spare part numbers 3-3, 3-32, 5-25
- system board
  - removal 5-62
  - spare part number 3-36
  - spare part numbers 3-7, 3-30, 3-34, 3-38, 5-62
- system DMA 6-11
- T**
- tools required 4-1
- top components 1-13, 1-15
- top cover
  - removal 5-42
  - spare part numbers 3-5, 3-32, 3-34, 5-42
- top cover rear strip
  - spare part numbers 3-5
- TouchPad
  - identifying 1-16
  - removal 5-46
  - spare part number 3-5, 3-34, 5-46
- TouchPad buttons 1-16
- TouchPad cable
  - illustrated 3-23
  - removal 5-47
  - spare part number 3-5, 3-32
- TouchPad horizontal scroll zone 1-16
- TouchPad light 1-16
- TouchPad on/off button 1-16
- TouchPad vertical scroll zone 1-16
- transporting precautions 4-5
- troubleshooting
  - audio 2-33
  - docking device 2-26
  - flowcharts 2-17
  - keyboard 2-36
  - modem 2-38
  - network 2-38
  - nonfunctioning device 2-26, 2-35
  - OS loading 2-27
  - overview 2-1
  - pointing device 2-37
  - power 2-20
  - video 2-24
- TV tuner antenna, spare part numbers 3-25, 3-36
- TV tuner, spare part numbers 3-24, 3-36

## U

Universal Serial Bus (USB)

connector

location 1–8, 1–10

pin assignments D–1

unknown password 1–5

USB board

removal 5–58

spare part number 3–11,  
3–32, 5–58

USB board cable, illustrated

3–23

USB digital drive, spare part

number 3–21, 3–27

USB infrared receiver, spare

part number 3–24, 3–28

USB travel mouse, spare part

number 3–24, 3–27

using system restore points

B–3, C–3

## V

vents 1–18

video troubleshooting 2–24

volume buttons 1–14

volume scroll zone 1–14

## W

Web camera

spare part number 3–19

Windows applications key

1–12

Windows logo key 1–12

wireless antenna

removal 5–40

spare part number 3–19,

3–33, 5–40

Wireless laser mouse, spare

part number 3–24, 3–34

wireless light 1–7

wireless switch 1–7

wireless switch board

removal 5–50

spare part number 3–7,  
3–33, 5–50

workstation precautions 4–6